



Datenblatt - Fiche technique - Data sheet

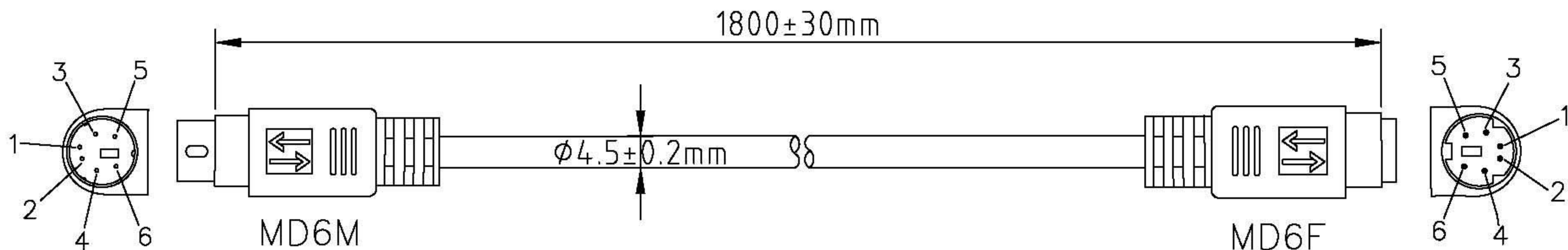
11.01.5660



ROLINE Tastatur-Kabel-PS/2 ST/BU, 6,0m

ROLINE Câble de clavier pour PS/2, M/F, 6,0m

ROLINE PS/2 Cable, M - F, 6 m



ITEM	COLOR	LENGTH
11.01.5618	BEIGE	1800±30mm
11.01.5630	BEIGE	3000±30mm
11.01.5660	BEIGE	6000±50mm

NOTE: 注:线材颜色须用RLA专用米色!!

1. CABLE: 28AWG, NON-UL, AL-FOIL, 6C+1, OD=4.5mm, BEIGE COLOR, PVC JACKET.

2. LENGTH: 1800mm

3. CONNECTORS: MD6M*1, MD6F*1 (BLACK INSULATOR)

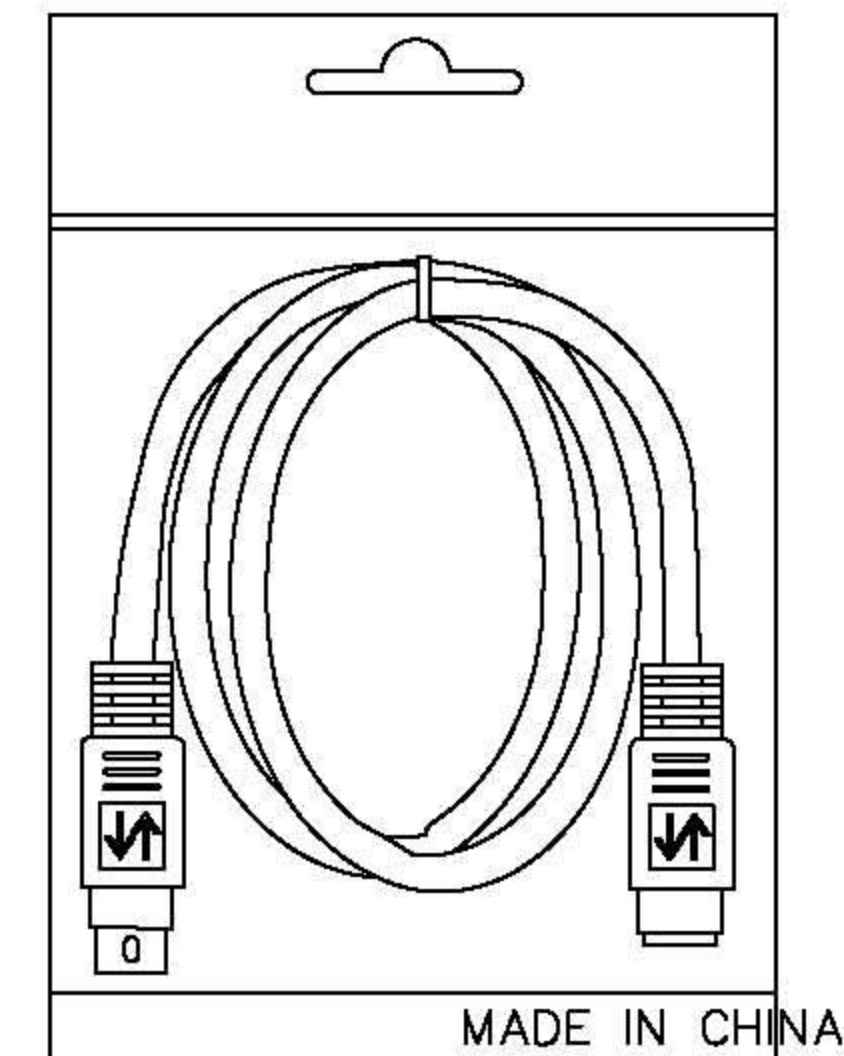
4. MOLD: 成型半圆网状模 — 成型半圆网状模

5. CONTACTS:

MD6M	1	2	3	4	5	6	64
MD6F	1	2	3	4	5	6	64

6. OPEN/SHORT TEST: 100% TEST.

INSULATION: 1M.



PE BAG(190*300*0.06)

1PCS/PE BAG+吊卡+條碼貼紙

須貼外箱貼紙

COMPANY	RLA		ITEM NO.	11.01.5618	NO	B3909	<p style="font-size: 24px; font-weight: bold;">Rotronic Co., Ltd.</p>	SCALE	
REVISION	DATE	DISCRIPTION	DRAWN BY					UNIT(mm)	
REV.A/0	2006.05.10	C9-2509057	DESIGNED BY					DRAWING NO.	
			APPROVAL BY						