

Cat 5E Crossover Patch Cord

RoHS
Compliant



Specifications:

Construction

	Nom. Dia
Conductor : 24AWG 7/32 Stranded tinned copper	0.024"
Insulation : High Density Polyethylene, 0.007" Nom. Wall Thickness	0.038"
Pairs : Colour Coded Singles Twisted into Pairs	0.076"
Cable : (4) Twisted pairs twisted together to form a cable core	
Jacket : Polyvinylchloride, 0.021" Nom. Wall thickness overall cable diameter	0.215"
Jacket Colour : Pink	

Physical Properties:

Temperature Rating Max.	: 60°C & 75°C
Temperature Rating Min.	: -20°C
WT./M, Nom., Net.	: 22.2lbs
Bend Radius Static	: 1"

Electrical Characteristics:

Capacitance, Mutual	: 13.5 PF/FT. at 1MHz
Dielectric withstanding Min.	: 1,500Vrms
Voltage Rating Max.	: 300V
DC Resistance Max.	: 26Ω/1,000
Impedance	: 100 +/- 15Ω 1-350MHz
Impedance Smoothed	: 100 +/- 10Ω Typical 5-100MHz
SRL	: 23dB 1-20MHz : 23-10 LOG(F/20) 20-100MHz
Return Loss	: 1-10MHz 20+5 LOG (F) dB Min. : 10-20MHz 20 dB Min. : 20-100MHz 25-8.6 LOG(F/20) dB Min.
PS Next	: 1-100MHz 64-15 LOG (F/0.772) Min.
Next	: 1-100MHz 67-15 LOG (F/0.772) Min.
PS ELFEXT	: 1-100MHz 63-20 LOG (F/0.772) Min.
ELFEXT	: 1-100MHz 66-20 LOG (F/0.772) Min.
Attenuation	: 1-100MHz 1.2[1.967 SQRT(F)+0.023(F)+0.05/SQRT(F)]Max.
Delay	: 1-100MHz 534+36/SQRT(F)
Delay Skew	: 1-100MHz <25NS
LCL	: 1-100MHz -35dB Min.

Application:

Jumper and patch cable for category 5 and 5e applications supports ATM applications to 155MHz or other extended frequency applications.

Packaging:

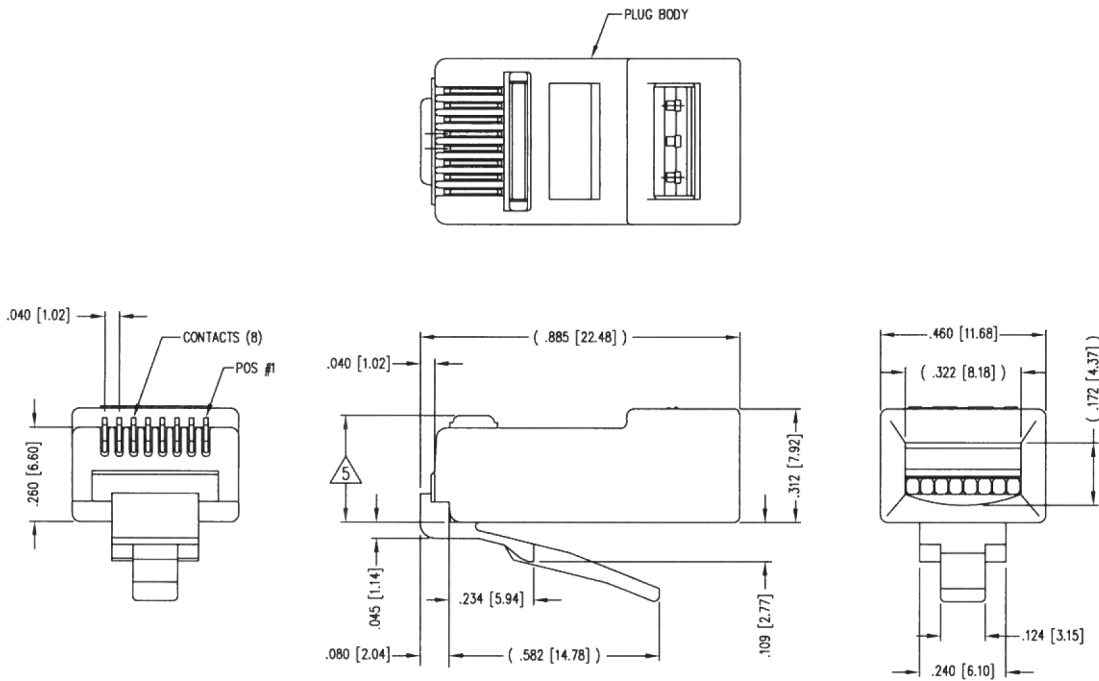
100pcs / bag

Wire insert diameter : 5.8mm (0.23")

www.element14.com
www.farnell.com
www.newark.com



Cat 5E Crossover Patch Cord



Dimensions : Inches (Millimetres)

△ Terminated Plug Height: 0.237 [6.02] ±0.005 [0.13] on cable

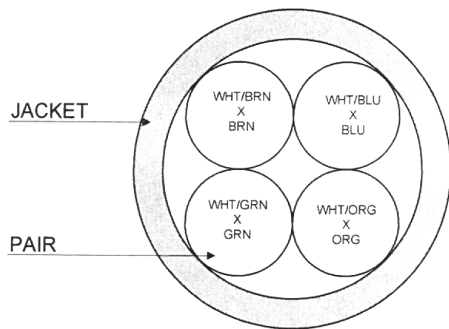
1. Materials:

Plug Body: Polycarbonate

Contacts: Phosphor Bronze, Selective Gold Plating

2. Contacts Terminate Solid or Stranded Conductors up to 0.04 [1.02] outside diameter of insulation

3. Dimensions and Tolerances comply with TIA-1096 standard



Part Number Table

Description	Part Number
Crossover Patch Cord, Cat5e, 15ft	SPC13954

Important Notice : This data sheet and its contents (the "Information") belong to the members of the Premier Farnell group of companies (the "Group") or are licensed to it. No licence is granted for the use of it other than for information purposes in connection with the products to which it relates. No licence of any intellectual property rights is granted. The Information is subject to change without notice and replaces all data sheets previously supplied. The Information supplied is believed to be accurate but the Group assumes no responsibility for its accuracy or completeness, any error in or omission from it or for any use made of it. Users of this data sheet should check for themselves the Information and the suitability of the products for their purpose and not make any assumptions based on information included or omitted. Liability for loss or damage resulting from any reliance on the Information or use of it (including liability resulting from negligence or where the Group was aware of the possibility of such loss or damage arising) is excluded. This will not operate to limit or restrict the Group's liability for death or personal injury resulting from its negligence. Multicomp is the registered trademark of the Group. © Premier Farnell plc 2012.

www.element14.com
www.farnell.com
www.newark.com

