



AT24CSW04X/AT24CSW08X

I²C-Compatible (Two-Wire) Serial EEPROM with a Security Register and Software Write Protection 4-Kbit (512 x 8), 8-Kbit (1,024 x 8)

Features

- Low-Voltage Operation:
 - $V_{CC} = 1.7V$ to $3.6V$
- Internally Organized as 512 x 8 (4K) or 1,024 x 8 (8K)
- Software Write Protection of the EEPROM Array:
 - Five configuration options
 - Protection settings can be made permanent
- 256-Bit Security Register:
 - Preprogrammed 128-bit serial number
 - Additional 16 bytes of free user EEPROM provided to store critical user data
- Factory Set Hardware Client Address:
 - Unique ordering code for each available client address value (AT24CSW04X/AT24CSW08X)
- Industrial Temperature Range: $-40^{\circ}C$ to $+85^{\circ}C$
- I²C-Compatible (Two-Wire) Serial Interface:
 - 100 kHz Standard Mode, 1.7V to 3.6V
 - 400 kHz Fast Mode, 1.7V to 3.6V
 - 1 MHz Fast Mode Plus (FM+), 1.7V to 3.6V
- Schmitt Triggers, Filtered Inputs for Noise Suppression
- Bidirectional Data Transfer Protocol
- Ultra-Low Active Current (1 mA maximum) and Standby Current (0.8 μA maximum)
- 16-Byte Page Write Mode:
 - Partial page writes allowed
- Random and Sequential Read Modes
- Self-Timed Write Cycle within 5 ms Maximum
- ESD Protection > 4,000V
- High Reliability:
 - Endurance: 1,000,000 write cycles
 - Data retention: 100 years
- Green Package Options (Lead-free/Halide-free/RoHS compliant)
- Die Sale Options: Wafer Form

Packages

- 5-Lead SOT23 and 4-Ball Ultra-Thin WLCSP

Table of Contents

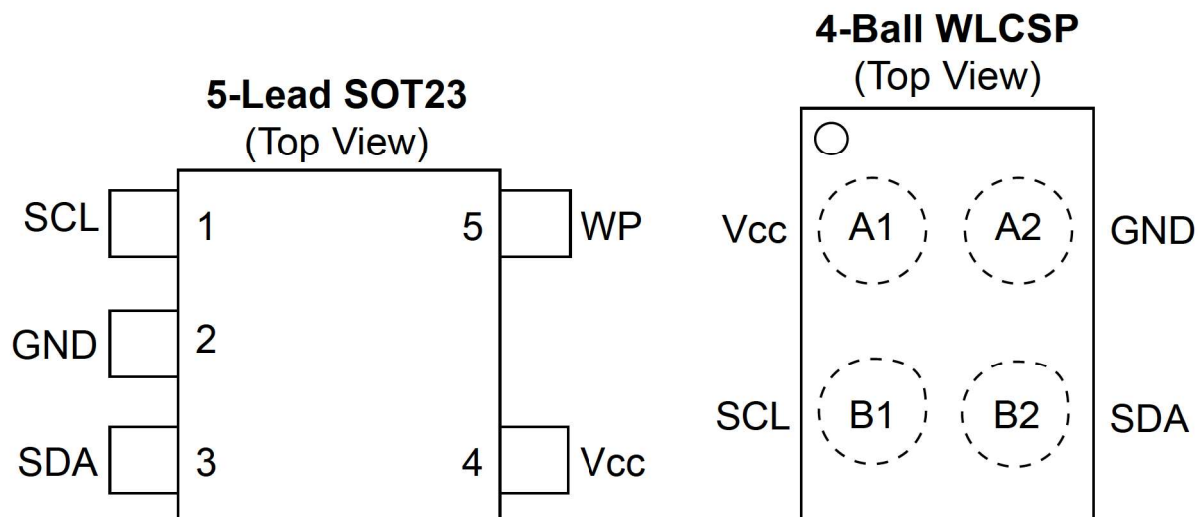
Features.....	1
Packages.....	1
1. Package Types (not to scale).....	4
2. Pin Descriptions.....	5
2.1. Serial Clock (SCL).....	5
2.2. Ground.....	5
2.3. Serial Data (SDA).....	5
2.4. Device Power Supply (V_{CC}).....	5
2.5. Write-Protect (WP).....	5
3. Description.....	7
3.1. System Configuration Using Two-Wire Serial EEPROMs	7
3.2. Block Diagram.....	8
4. Electrical Characteristics.....	9
4.1. Absolute Maximum Ratings.....	9
4.2. DC and AC Operating Range.....	9
4.3. DC Characteristics.....	9
4.4. AC Characteristics.....	10
4.5. Electrical Specifications.....	11
5. Device Operation and Communication.....	13
5.1. Clock and Data Transition Requirements.....	13
5.2. Start and Stop Conditions.....	13
5.3. Acknowledge and No-Acknowledge.....	14
5.4. Standby Mode.....	14
5.5. Software Reset.....	14
6. Memory Organization.....	16
6.1. Device Addressing.....	16
7. Write Operations.....	19
7.1. Byte Write.....	19
7.2. Page Write.....	19
7.3. Acknowledge Polling.....	20
7.4. Write Cycle Timing.....	21
8. Write Protection.....	22
8.1. Hardware Write Protection.....	22
8.2. Software Write Protection of the EEPROM Array.....	22
8.3. Writing to the Write Protection Register.....	24
8.4. Reading the Write Protection Register.....	25
9. Read Operations.....	26
9.1. Current Address Read.....	26

9.2. Random Read.....	26
9.3. Sequential Read.....	27
10. Security Register.....	29
10.1. Custom Programming Option.....	29
10.2. Read Operations in the Security Register.....	29
10.3. Write Operations in the Security Register.....	30
11. Device Default Condition from Microchip.....	32
12. Packaging Information.....	33
12.1. Package Marking Information.....	33
13. Revision History.....	38
The Microchip Website.....	39
Product Change Notification Service.....	39
Customer Support.....	39
Product Identification System.....	40
Microchip Devices Code Protection Feature.....	40
Legal Notice.....	41
Trademarks.....	41
Quality Management System.....	42
Worldwide Sales and Service.....	43

AT24CSW04X/AT24CSW08X

Package Types (not to scale)

1. Package Types (not to scale)



2. Pin Descriptions

The descriptions of the pins are listed in [Table 2-1](#).

Table 2-1. Pin Function Table

Name	5-Lead SOT23	4-Ball WLCSP	Function
SCL	1	B1	Serial Clock
GND	2	A2	Ground
SDA	3	B2	Serial Data
V _{CC}	4	A1	Device Power Supply
WP ⁽¹⁾	5	—	Write-Protect

Note:

1. If the WP pin is not driven, it is internally pulled down to GND. In order to operate in a wide variety of application environments, the pull-down mechanism is intentionally designed to be somewhat strong. Once this pin is biased above the CMOS input buffer's trip point ($\sim 0.5 \times V_{CC}$), the pull-down mechanism disengages. Microchip recommends connecting this pin to a known state whenever possible.

2.1 Serial Clock (SCL)

The SCL pin is used to provide a clock to the device and to control the flow of data to and from the device. Command and input data present on the SDA pin is always latched in on the rising edge of SCL, while output data on the SDA pin is clocked out on the falling edge of SCL. The SCL pin must either be forced high when the serial bus is idle or pulled high using an external pull-up resistor.

2.2 Ground

The ground reference for the power supply. GND should be connected to the system ground.

2.3 Serial Data (SDA)

The SDA pin is an open-drain bidirectional input/output pin used to serially transfer data to and from the device. The SDA pin must be pulled high using an external pull-up resistor (not to exceed 10 k Ω in value) and may be wire-ORed with any number of other open-drain or open-collector pins from other devices on the same bus.

2.4 Device Power Supply (V_{CC})

The Device Power Supply (V_{CC}) pin is used to supply the source voltage to the device. Operations at invalid V_{CC} voltages may produce spurious results and should not be attempted.

2.5 Write-Protect (WP)

The write-protect input, when connected to GND, allows normal write operations. When the WP pin is connected directly to V_{CC}, all write operations to the protected memory are inhibited.

If the pin is left floating, the WP pin will be internally pulled down to GND. However, due to capacitive coupling that may appear in customer applications, Microchip recommends always connecting the WP pin to a known state. When using a pull-up resistor, Microchip recommends using 10 k Ω or less.

AT24CSW04X/AT24CSW08X

Pin Descriptions

Table 2-2. Write-Protect

WP Pin Status	Part of the Array Protected
At V_{CC}	Full Array and Security Register
At GND	Normal Write Operations

3. Description

The AT24CSW04X/AT24CSW08X provides 4,096/8,192 bits of Serial Electrically Erasable and Programmable Read-Only Memory (EEPROM) organized as 512/1,024 words of 8 bits each. The device is optimized for use in many industrial and commercial applications where low-power and low-voltage operation are essential.

The device features a software write protection feature with five different programmable levels of protection for the EEPROM array. The protection settings of the device can be made permanent if desired. Safeguards are included to prevent accidental invocation of the permanent feature.

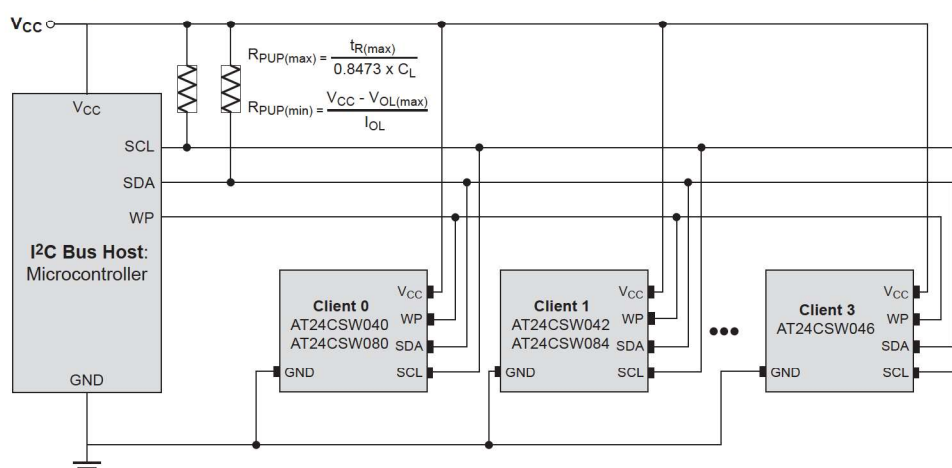
Additionally, each device includes a Security register with an extra 256 bits of EEPROM beyond the nominal EEPROM array. The Security register is comprised of a read-only section of 16 bytes and an additional user-programmable section of 16 bytes.

The Security register begins with a read-only section that contains a factory-programmed ensured unique 128-bit serial number. The time-consuming step of performing and ensuring true serialization of a product on a manufacturing line can be removed from the production flow by employing a CS or CSW Series Serial EEPROM. The 128-bit serial number is programmed and permanently locked from future writing during the Microchip production process. Further, this 128-bit location does not consume any of the user read/write area of the 4-Kbit or 8-Kbit Serial EEPROM. The uniqueness of the serial number is ensured across the entire CS or CSW Series of Serial EEPROMs, regardless of the size of the memory array or the type of interface protocol. This means that as an application's needs for memory size or interface protocol evolve in future generations, any previously deployed serial number from any CS or CSW Series Serial EEPROM part will remain valid.

Following the 128-bit read-only serial number in the Security register is an additional 16 bytes of EEPROM organized as one page of 16 bytes. This region of the Security register is user-programmable and, if so desired, can later be permanently write-protected with a software sequence. This user-programmable section of the Security register is ideal for applications that need to irreversibly protect critical or sensitive application data.

The AT24CSW04X/AT24CSW08X is available in 5-lead SOT23 and best-in-class 4-ball Ultra-Thin WLCSP packages and is accessed via an I²C-compatible two-wire serial interface. Other package options are available upon request. The device operates with a supply voltage ranging from 1.7V to 3.6V.

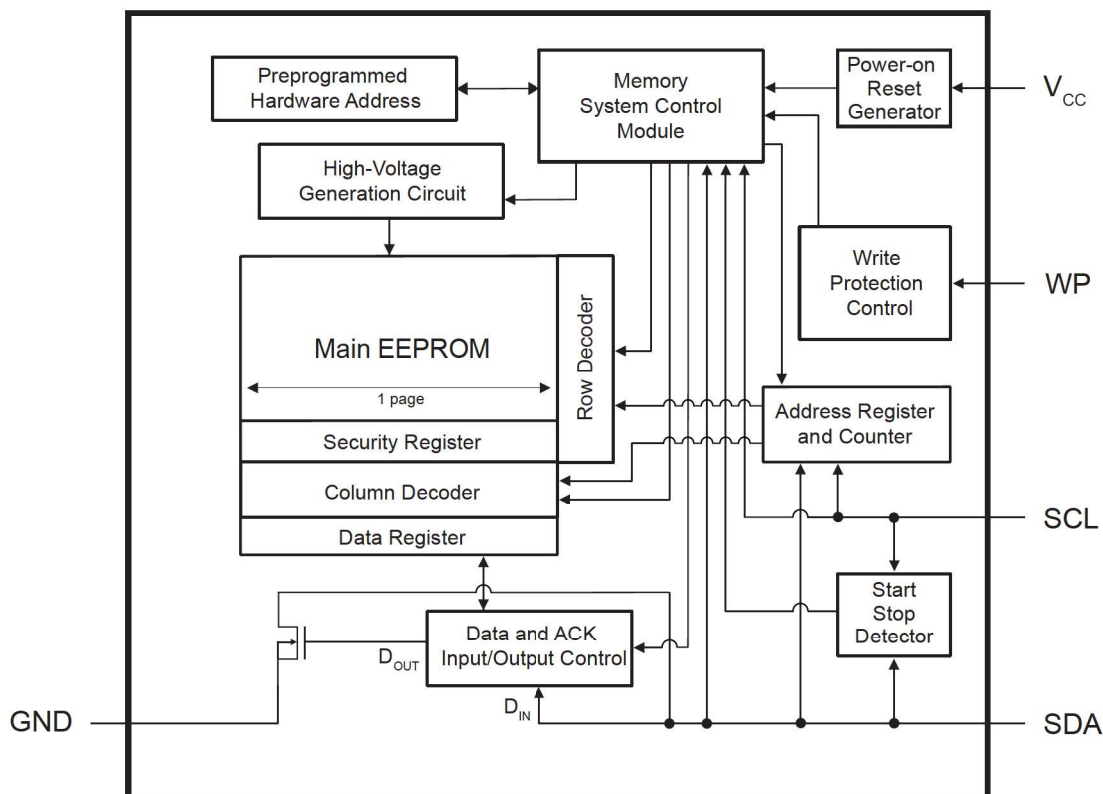
3.1 System Configuration Using Two-Wire Serial EEPROMs



Notes:

1. Only two devices can be connected when using the AT24CSW08X.
2. The WP pin is only available on the 5-lead SOT23 package.

3.2 Block Diagram



Note: The WP pin is only available on the 5-lead SOT23 package.

AT24CSW04X/AT24CSW08X

Electrical Characteristics

4. Electrical Characteristics

4.1 Absolute Maximum Ratings

Temperature under bias	-55°C to +125°C
Storage temperature	-65°C to +150°C
V _{CC}	4.1V
Voltage on any pin with respect to ground	-0.6V to V _{CC} +0.5V
DC output current	5.0 mA
ESD protection	> 4 kV

Note: Stresses above those listed under “Absolute Maximum Ratings” may cause permanent damage to the device. This is a stress rating only and functional operation of the device at these or any other conditions above those indicated in the operation listings of this specification is not implied. Exposure to absolute maximum rating conditions for extended periods may affect device reliability.

4.2 DC and AC Operating Range

Table 4-1. DC and AC Operating Range

AT24CSW04X/AT24CSW08X		
Operating Temperature (Case)	Industrial Temperature Range	-40°C to +85°C
V _{CC} Power Supply	Low-Voltage Grade	1.7V to 3.6V

4.3 DC Characteristics

Table 4-2. DC Characteristics

Parameter	Symbol	Minimum	Typical ⁽¹⁾	Maximum	Units	Test Conditions
Supply Voltage	V _{CC}	1.7	—	3.6	V	
Supply Current	I _{CC1}	—	0.08	0.3	mA	V _{CC} = 1.8V ⁽²⁾ , Read at 400 kHz
		—	0.15	0.5	mA	V _{CC} = 3.6V, Read at 1 MHz
Supply Current	I _{CC2}	—	0.20	1.0	mA	V _{CC} = 3.6V, Write at 1 MHz
Standby Current	I _{SB}	—	0.08	0.4	μA	V _{CC} = 1.8V ⁽²⁾ , V _{IN} = V _{CC} or GND
		—	0.10	0.8	μA	V _{CC} = 3.6V, V _{IN} = V _{CC} or GND
Input Leakage Current	I _{LI}	—	0.10	3.0	μA	V _{IN} = V _{CC} or GND
Output Leakage Current	I _{LO}	—	0.05	3.0	μA	V _{OUT} = V _{CC} or GND
Input Low Level	V _{IL}	-0.6	—	V _{CC} x 0.3	V	Note 2
Input High Level	V _{IH}	V _{CC} x 0.7	—	V _{CC} + 0.5	V	Note 2
Output Low Level	V _{OL1}	—	—	0.2	V	V _{CC} = 1.8V, I _{OL} = 0.15 mA

AT24CSW04X/AT24CSW08X

Electrical Characteristics

.....continued						
Parameter	Symbol	Minimum	Typical ⁽¹⁾	Maximum	Units	Test Conditions
Output Low Level	V _{OL2}	—	—	0.4	V	V _{CC} = 3.0V, I _{OL} = 2.1 mA

Notes:

1. Typical values characterized at T_A = +25°C unless otherwise noted.
2. This parameter is characterized but is not 100% tested in production.

4.4 AC Characteristics

Table 4-3. AC Characteristics⁽¹⁾

Parameter	Symbol	Standard Mode		Fast Mode		Fast Mode Plus		Units
		V _{CC} = 1.7V to 3.6V		V _{CC} = 1.7V to 3.6V		V _{CC} = 1.7V to 3.6V		
		Min.	Max.	Min.	Max.	Min.	Max.	
Clock Frequency, SCL	f _{SCL}	—	100	—	400	—	1000	kHz
Clock Pulse Width Low	t _{LOW}	4,700	—	1,300	—	500	—	ns
Clock Pulse Width High	t _{HIGH}	4,000	—	600	—	400	—	ns
Input Filter Spike Suppression (SCL, SDA) ⁽²⁾	t _I	—	100	—	100	—	100	ns
Clock Low to Data Out Valid	t _{AA}	—	4,500	—	900	—	450	ns
Bus Free Time between Stop and Start ⁽²⁾	t _{BUF}	4,700	—	1,300	—	500	—	ns
Start Hold Time	t _{HD.STA}	4,000	—	600	—	250	—	ns
Start Set-Up Time	t _{SU.STA}	4,700	—	600	—	250	—	ns
Data In Hold Time	t _{HD.DAT}	0	—	0	—	0	—	ns
Data In Set-Up Time	t _{SU.DAT}	200	—	100	—	100	—	ns
Inputs Rise Time ⁽²⁾	t _R	—	1,000	—	300	—	100	ns
Inputs Fall Time ⁽²⁾	t _F	—	300	—	300	—	100	ns
Stop Set-Up Time	t _{SU.STO}	4,700	—	600	—	250	—	ns
Write-Protect Set-Up Time	t _{SU.WP}	4,000	—	600	—	100	—	ns
Write-Protect Hold Time	t _{HD.WP}	4,000	—	600	—	400	—	ns
Data Out Hold Time	t _{DH}	100	—	50	—	50	—	ns
Write Cycle Time	t _{WR}	—	5	—	5	—	5	ms

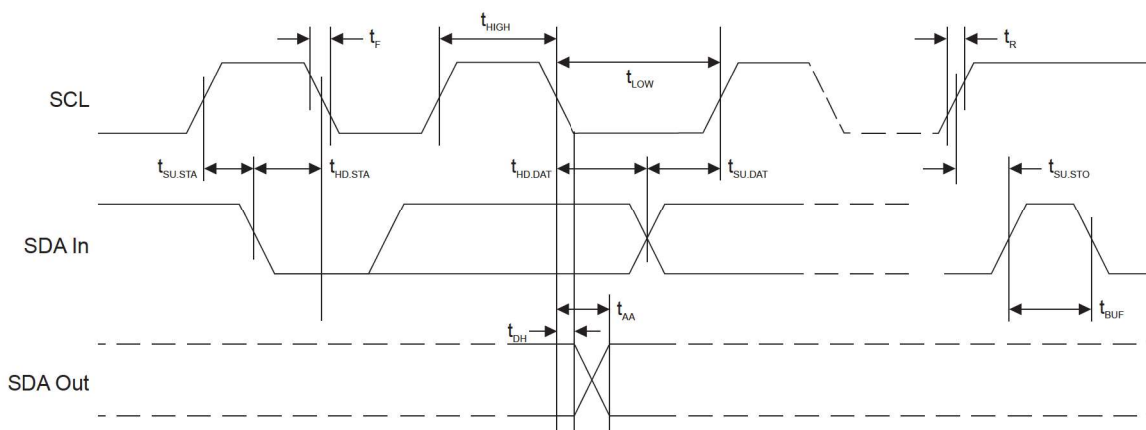
Notes:

1. AC measurement conditions:
 - C_L: 100 pF
 - R_{PUP} (SDA bus line pull-up resistor to V_{CC}): 1.3 kΩ (1000 kHz), 4 kΩ (400 kHz), 10 kΩ (100 kHz)
 - Input pulse voltages: 0.3 x V_{CC} to 0.7 x V_{CC}
 - Input rise and fall times: ≤50 ns
 - Input and output timing reference voltages: 0.5 x V_{CC}
2. These parameters are determined through product characterization and are not 100% tested in production.

AT24CSW04X/AT24CSW08X

Electrical Characteristics

Figure 4-1. Bus Timing



4.5 Electrical Specifications

4.5.1 Power-Up Requirements and Reset Behavior

During a power-up sequence, the V_{CC} supplied to the AT24CSW04X/AT24CSW08X should monotonically rise from GND to the minimum V_{CC} level (as specified in Table 4-1), with a slew rate no faster than 0.1 V/ μ s.

4.5.1.1 Device Reset

To prevent inadvertent write operations or any other spurious events from occurring during a power-up sequence, the AT24CSW04X/AT24CSW08X includes a Power-on Reset (POR) circuit. Upon power-up, the device will not respond to any commands until the V_{CC} level crosses the internal voltage threshold (V_{POR}) that brings the device out of Reset and into Standby mode.

The system designer must ensure the instructions are not sent to the device until the V_{CC} supply has reached a stable value greater than or equal to the minimum V_{CC} level. Additionally, once the V_{CC} is greater than or equal to the minimum V_{CC} level, the bus host must wait at least t_{PUP} before sending the first command to the device. See Table 4-4 for the values associated with these power-up parameters.

Table 4-4. Power-Up Conditions⁽¹⁾

Symbol	Parameter	Min.	Max.	Units
t_{PUP}	Time required after V_{CC} is stable before the device can accept commands	100	—	μ s
V_{POR}	Power-on Reset Threshold Voltage	—	1.5	V
t_{POFF}	Minimum time at $V_{CC} = 0V$ between power cycles	1	—	ms

Note:

1. These parameters are characterized but they are not 100% tested in production.

If an event occurs in the system where the V_{CC} level supplied to the AT24CSW04X/AT24CSW08X drops below the maximum V_{POR} level specified, it is recommended that a full-power cycle sequence be performed by first driving the V_{CC} pin to GND, waiting at least the minimum t_{POFF} time and then performing a new power-up sequence in compliance with the requirements defined in this section.

AT24CSW04X/AT24CSW08X

Electrical Characteristics

4.5.2 Pin Capacitance

Table 4-5. Pin Capacitance⁽¹⁾

Symbol	Test Condition	Max.	Units	Conditions
$C_{I/O}$	Input/Output Capacitance (SDA)	8	pF	$V_{I/O} = 0V$
C_{IN}	Input Capacitance (SCL)	6	pF	$V_{IN} = 0V$

Note:

1. This parameter is characterized but is not 100% tested in production.

4.5.3 EEPROM Cell Performance Characteristics

Table 4-6. EEPROM Cell Performance Characteristics

Operation	Test Condition	Min.	Max.	Units
Write Endurance ⁽¹⁾	$T_A = +25^{\circ}C$, $V_{CC}(\text{min.}) < V_{CC} < V_{CC}(\text{max.})$, Byte or Page Write mode	1,000,000	—	Write Cycles
Data Retention ⁽¹⁾	$T_A = +55^{\circ}C$	100	—	Years

Note:

1. Performance is determined through characterization and the qualification process.

5. Device Operation and Communication

The AT24CSW04X/AT24CSW08X operates as a client device and utilizes a simple I²C-compatible two-wire digital serial interface to communicate with a host controller, commonly referred to as the bus host. The host initiates and controls all read and write operations to the client devices on the serial bus, and both the host and the client devices can transmit and receive data on the bus.

The serial interface is comprised of just two signal lines: Serial Clock (SCL) and Serial Data (SDA). The SCL pin is used to receive the clock signal from the host, while the bidirectional SDA pin is used to receive command and data information from the host as well as to send data back to the host. Data is always latched into the AT24CSW04X/AT24CSW08X on the rising edge of SCL and always output from the device on the falling edge of SCL. Both the SCL and SDA pins incorporate integrated spike suppression filters and Schmitt Triggers to minimize the effects of input spikes and bus noise.

All command and data information is transferred with the Most Significant bit (MSb) first. During bus communication, one data bit is transmitted every clock cycle, and after eight bits (one byte) of data have been transferred, the receiving device must respond with either an Acknowledge (ACK) or a No-Acknowledge (NACK) response bit during a ninth clock cycle (ACK/NACK clock cycle) generated by the host. Therefore, nine clock cycles are required for every one byte of data transferred. There are no unused clock cycles during any read or write operation, so there must not be any interruptions or breaks in the data stream during each data byte transfer and ACK or NACK clock cycle.

During data transfers, data on the SDA pin must only change while SCL is low and the data must remain stable while SCL is high. If data on the SDA pin changes while SCL is high, then either a Start or a Stop condition will occur. Start and Stop conditions are used to initiate and end all serial bus communication between the host and the client devices. The number of data bytes transferred between a Start and a Stop condition is not limited and is determined by the host. In order for the serial bus to be idle, both the SCL and SDA pins must be in the logic high state at the same time.

5.1 Clock and Data Transition Requirements

The SDA pin is an open-drain terminal and therefore must be pulled high with an external pull-up resistor. SCL is an input pin that can either be driven high or pulled high using an external pull-up resistor. Data on the SDA pin may change only during SCL low time periods. Data changes during SCL high periods will indicate a Start or Stop condition as defined below. The relationship of the AC timing parameters with respect to SCL and SDA for the AT24CSW04X/AT24CSW08X are shown in the timing waveform in [Figure 4-1](#). The AC timing characteristics and specifications are outlined in [AC Characteristics](#).

5.2 Start and Stop Conditions

5.2.1 Start Condition

A Start condition occurs when there is a high-to-low transition on the SDA pin while the SCL pin is at a stable logic '1' state and will bring the device out of Standby mode. The host uses a Start condition to initiate any data transfer sequence; therefore, every command must begin with a Start condition. The device will continuously monitor the SDA and SCL pins for a Start condition but will not respond unless one is detected. Refer to [Figure 5-1](#) for more details.

5.2.2 Stop Condition

A Stop condition occurs when there is a low-to-high transition on the SDA pin while the SCL pin is stable in the logic '1' state.

The host can use the Stop condition to end a data transfer sequence with the AT24CSW04X/AT24CSW08X, which will subsequently return to Standby mode. The host can also utilize a repeated Start condition instead of a Stop condition to end the current data transfer if the host will perform another operation. Refer to [Figure 5-1](#) for more details.

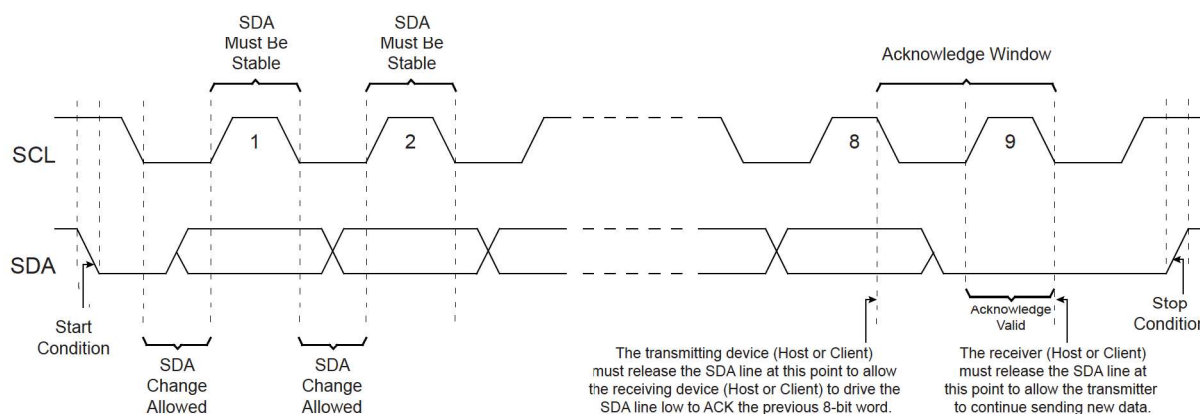
5.3 Acknowledge and No-Acknowledge

After every byte of data is received, the receiving device must confirm to the transmitting device that it has successfully received the data byte by responding with what is known as an Acknowledge (ACK). An ACK is accomplished by the transmitting device first releasing the SDA line at the falling edge of the eighth clock cycle, followed by the receiving device responding with a logic '0' during the entire high period of the ninth clock cycle.

When the AT24CSW04X/AT24CSW08X is transmitting data to the host, the host can indicate that it is done receiving data and wants to end the operation by sending a logic '1' response to the AT24CSW04X/AT24CSW08X instead of an ACK response during the ninth clock cycle. This is known as a No-Acknowledge (NACK) and is accomplished by the host sending a logic '1' during the ninth clock cycle, at which point the AT24CSW04X/AT24CSW08X will release the SDA line so the host can then generate a Stop condition.

The transmitting device, which can be the bus host or the Serial EEPROM, must release the SDA line at the falling edge of the eighth clock cycle to allow the receiving device to drive the SDA line to a logic '0' to ACK the previous 8-bit word. The receiving device must release the SDA line at the end of the ninth clock cycle to allow the transmitter to continue sending new data. A timing diagram has been provided in [Figure 5-1](#) to better illustrate these requirements.

Figure 5-1. Start Condition, Data Transitions, Stop Condition and Acknowledge



5.4 Standby Mode

The AT24CSW04X/AT24CSW08X features a low-power Standby mode that is enabled when any one of the following occurs:

- A valid power-up sequence is performed (see [Power-Up Requirements and Reset Behavior](#)).
- A Stop condition is received by the device unless it initiates an internal write cycle (see [Write Operations](#)).
- At the completion of an internal write cycle (see [Write Operations](#)).
- An unsuccessful match of the device type identifier or hardware address in the device address byte occurs (see [Device Addressing](#)).
- The bus host does not ACK the receipt of data read out from the device; instead it sends a NACK response (see [Read Operations](#)).

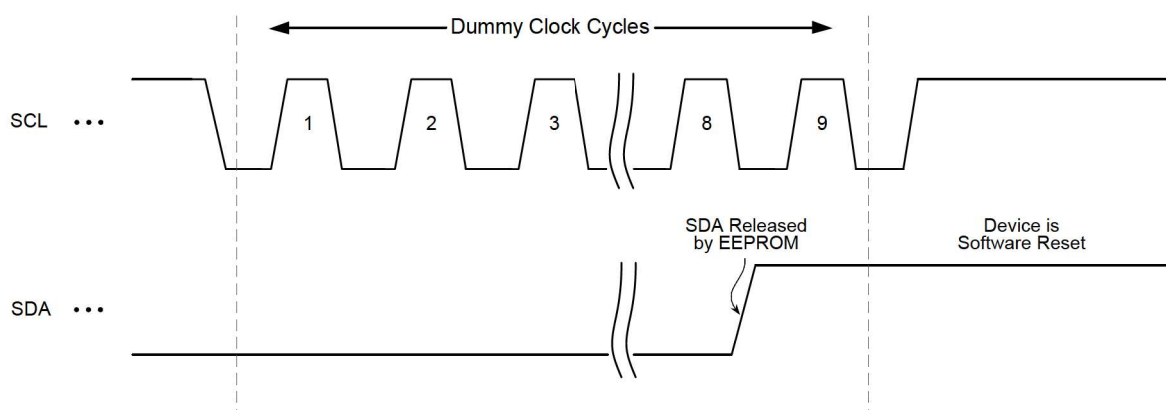
5.5 Software Reset

After an interruption in protocol, power loss or system Reset, any two-wire device can be protocol reset by clocking SCL until SDA is released by the EEPROM and goes high. The number of clock cycles until SDA is released by the EEPROM will vary. The software Reset sequence should not take more than nine dummy clock cycles. Once the software Reset sequence is complete, new protocol can be sent to the device by sending a Start condition followed by the protocol (see [Figure 5-2](#)).

AT24CSW04X/AT24CSW08X

Device Operation and Communication

Figure 5-2. Software Reset



In the event that the device is still non-responsive or remains active on the SDA bus, a power cycle must be used to reset the device (see [Power-Up Requirements and Reset Behavior](#)).

6. Memory Organization

The AT24CSW04X is internally organized as 32 pages of 16 bytes each and the AT24CSW08X is organized as 64 pages of 16 bytes each for the EEPROM array. The device also contains a 32-byte Security register which is organized as two pages of 16 bytes each. This register contains a factory-programmed unique 128-bit serial number in the lower 16 bytes. The upper 16 bytes are user-programmable and can (later) be permanently write-protected (see [Security Register](#)).

Figure 6-1. Memory Organization

	Memory Address Range	Protection Features
Main 4-Kbit or 8-Kbit EEPROM	4-Kbit Address Range (000h-1FFh)	Five Different Levels of Block Protection from Write Protect Register
	8-Kbit Address Range (000h-3FFh)	
256-bit Security Register	128-bit Serial Number Address Range (80h-8Fh)	Read-Only
	User-Programmable Memory Address Range (90h-9Fh)	Permanently Lockable by Software

The AT24CSW04X/AT24CSW08X also contains an 8-bit Write Protection register that controls which regions of the memory can be written to. Details about how to use this register can be found in [Write Protection](#).

6.1 Device Addressing

Accessing the device requires an 8-bit device address byte following a Start condition to enable the device for a read or write operation. Since multiple client devices can reside on the serial bus, each client device must have its own unique address so the host can access each device independently.

The Most Significant four bits of the device address byte is referred to as the device type identifier. The device type identifier '1010' (Ah) for the main EEPROM access or '1011' (Bh) for Security register and Write Protection register access is required in bits 7 through 4 of the device address byte (see [Table 6-1](#)).

Following the 4-bit device type identifier are the client address bits, A2 and A1. The value that the AT24CSW04X/AT24CSW08X will ACK to is preprogrammed in each device. Unique ordering codes are available for each of the four (AT24CSW04X) or two (AT24CSW08X) possible client combinations. The client address preprogrammed in the device is embedded in the base part number as shown in [Table 6-3](#) and [Table 6-4](#).

The AT24CSW04X/AT24CSW08X contains a 32-byte Security register, organized as 2 pages of 16 bytes each. This register contains a factory-programmed unique 128-bit serial number in the lower 16 bytes. The upper 16 bytes are user-programmable and can (later) be permanently write-protected (see [Write Operations in the Security Register](#)).

Access to the Security register memory location is similar to the EEPROM region with the exception that the device address word must begin with '1011' (Bh). The behavior of the hardware address bits (A2, A1) remains the same as during an EEPROM addressing sequence (see [Table 6-3](#) and [Table 6-4](#)). While the lower order 16 bytes of the Security register are read-only, the device will ACK if this bit is a logic '0'. To read from the Security register, refer to [Read Operations in the Security Register](#) and for writing refer to [Write Operations in the Security Register](#).

Note: Accessing the Security register is only possible if any sequence or command to the EEPROM (if one was sent) is properly terminated with a NACK or Stop condition from the host. Without proper termination of that previous sequence, all communications with the Security register will not execute successfully.

AT24CSW04X/AT24CSW08X

Memory Organization

The eighth bit (bit 0) of the device address byte is the Read/Write Select bit. A read operation is initiated if this bit is high and a write operation is initiated if this bit is low.

Upon the successful comparison of the device address byte, the AT24CSW04X/AT24CSW08X will return an ACK. If a valid comparison is not made, the device will NACK.

Note: While the lower order 16 bytes of the Security register are read-only, the device will ACK if the Read/Write Select bit is a logic '0'.

Table 6-1. Device Address Byte AT24CSW04X

Memory Region	Device Type Identifier				Hardware Address Bits		MSB Memory Address	R/W Select
	Bit 7	Bit 6	Bit 5	Bit 4	Bit 3	Bit 2	Bit 1	Bit 0
EEPROM Array	1	0	1	0	A2	A1	A8	R/W
Security Register and Write Protection Register	1	0	1	1	A2	A1	A8	R/W

Table 6-2. Device Address Byte AT24CSW08X

Memory Region	Device Type Identifier				Hardware Address Bit	MSBs Memory Address		R/W Select
	Bit 7	Bit 6	Bit 5	Bit 4	Bit 3	Bit 2	Bit 1	Bit 0
EEPROM Array	1	0	1	0	A2	A9	A8	R/W
Security Register and Write Protection Register	1	0	1	1	A2	A9	A8	R/W

Table 6-3. AT24CSW04X Hardware Address Response by Part Number

Part Number Series	Hardware Address Bits	
4-Kbit	A2	A1
AT24CSW040	0	0
AT24CSW042 ⁽¹⁾	0	1
AT24CSW044 ⁽¹⁾	1	0
AT24CSW046 ⁽¹⁾	1	1

Note:

- Contact your local sales representative for hardware client address availability.

Table 6-4. AT24CSW08X Hardware Address Response by Part Number

Part Number Series	Hardware Address Bit
8-Kbit	A2
AT24CSW080	0
AT24CSW084 ⁽¹⁾	1

Note:

- Contact your local sales representative for hardware client address availability.

For all operations except the current address read, a word address byte must be transmitted to the device immediately following the device address byte. The word address byte contain a 9-bit (in the case of the

AT24CSW04X/AT24CSW08X

Memory Organization

AT24CSW04X) or 10-bit (in the case of the AT24CSW08X) memory array word address and is used to specify which byte location in the EEPROM to start reading or writing. Refer to [Table 6-5](#) to review these bit positions.

When accessing the Security register, it is required that the A7 and A6 bits of the word address be set to '10' respectively. These bits are at a higher order address range than what is needed to address the 32-byte space (A4 through A0). It is recommended that all address bits that fall outside the address range that do not have other requirements be set to a logic '0'.

Table 6-5. Word Address Byte

Device	Bit 7	Bit 6	Bit 5	Bit 4	Bit 3	Bit 2	Bit 1	Bit 0
EEPROM Array	A7	A6	A5	A4	A3	A2	A1	A0
Security Register	1	0	X	A4	A3	A2	A1	A0
Security Register Lock Function	0	1	1	0	X	X	X	X
Write Protection Register	1	1	X	X	X	X	X	X

7. Write Operations

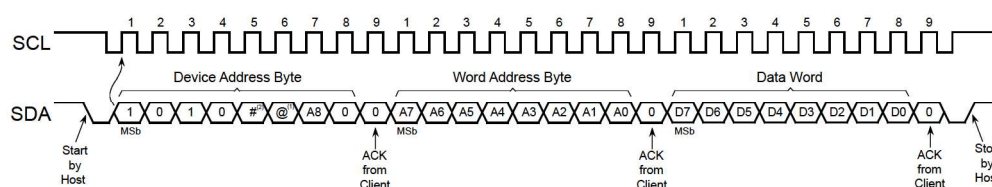
All write operations for the AT24CSW04X/AT24CSW08X begin with the host sending a Start condition, followed by a device address byte with the R/W bit set to logic '0' and then by the word address byte. The data value(s) to be written to the device immediately follow the word address byte. When writing to a protected region, the device will ACK but the internal write cycle will abort, leaving the device ready for the next operation.

7.1 Byte Write

The AT24CSW04X/AT24CSW08X supports the writing of a single 8-bit byte. Selecting a data word in the AT24CSW04X requires a 9-bit word address, while selecting a data word in the AT24CSW08X requires a 10-bit word address.

Upon receipt of the proper device address and the word address bytes, the EEPROM will send an Acknowledge. The device will then be ready to receive the 8-bit data word. Following receipt of the 8-bit data word, the EEPROM will respond with an ACK. The addressing device, such as a bus host, must then terminate the write operation with a Stop condition. At that time, the EEPROM will enter an internally self-timed write cycle, which will be completed within t_{WR} , while the data word is being programmed into the nonvolatile EEPROM. All inputs are disabled during this write cycle, and the EEPROM will not respond until the write is complete.

Figure 7-1. Byte Write



Notes:

1. For the AT24CSW04X, the @ indicates the A1 Hardware Address bit which is managed by the ordering code (see [Table 6-3](#)). For the AT24CSW08X, the @ indicates the A9 address bit.
2. # indicates the hardware address value which is managed by the ordering code of the device (see [Table 6-3](#) and [Table 6-4](#)).

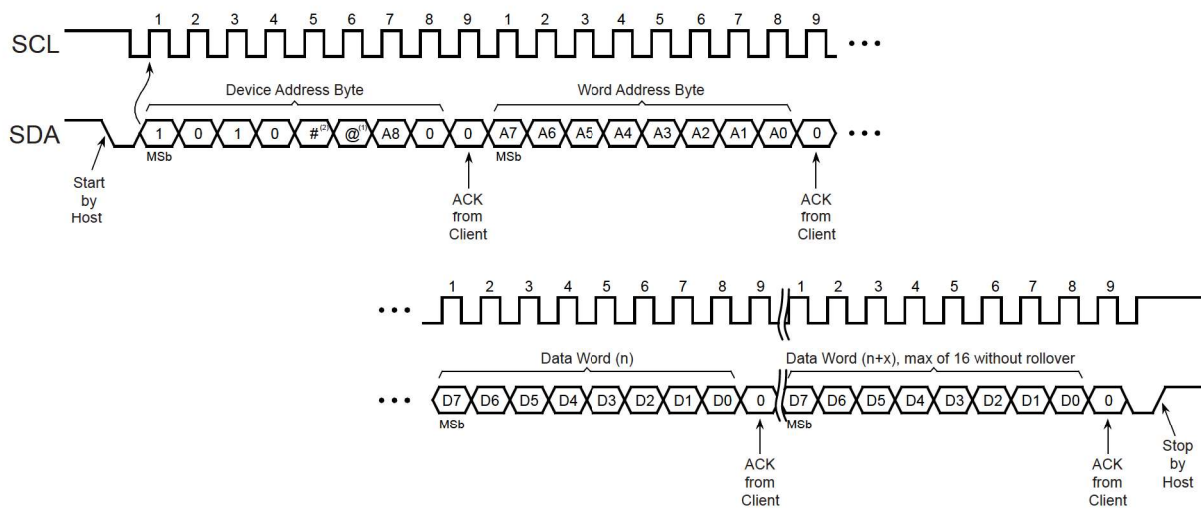
7.2 Page Write

A page write operation allows up to 16 bytes to be written in the same write cycle, provided all bytes are in the same row of the memory array (where address bits A9/A8 to A3 are the same). Partial page writes of less than 16 bytes are also allowed.

A page write is initiated the same way as a byte write, but the bus host does not send a Stop condition after the first data word is clocked in. Instead, after the EEPROM acknowledges receipt of the first data word, the bus host can transmit up to fifteen additional data words. The EEPROM will respond with an ACK after each data word is received. Once all data to be written has been sent to the device, the bus host must issue a Stop condition (see [Figure 7-2](#)) at which time the internally self-timed write cycle will begin.

The lower four bits of the word address are internally incremented following the receipt of each data word. The higher order address bits are not incremented and retain the memory page row location. Page write operations are limited to writing bytes within a single physical page, regardless of the number of bytes actually being written. When the incremented word address reaches the page boundary, the address counter will rollover to the beginning of the same page. Nevertheless, creating a rollover event should be avoided as previously loaded data in the page could become unintentionally altered.

Figure 7-2. Page Write



Notes:

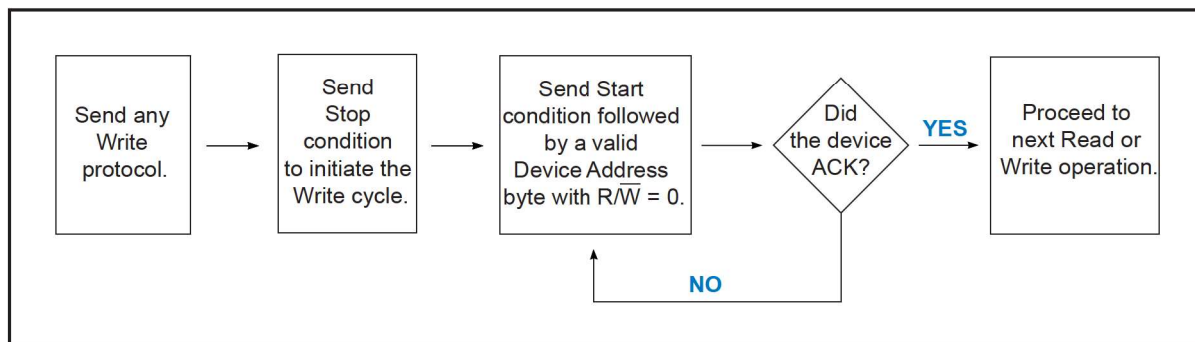
1. For the AT24CSW04X, the @ indicates the A1 Hardware Address bit which is managed by the ordering code (see [Table 6-3](#)). For the AT24CSW08X, the @ indicates the A9 address bit.
2. # indicates the hardware address value which is managed by the ordering code of the device (see [Table 6-3](#) and [Table 6-4](#)).

7.3 Acknowledge Polling

An Acknowledge Polling routine can be implemented to optimize time-sensitive applications that would prefer not to wait the fixed maximum write cycle time (t_{WR}). This method allows the application to know immediately when the Serial EEPROM write cycle has completed, so a subsequent operation can be started.

Once the internally self-timed write cycle has started, an Acknowledge Polling routine can be initiated. This involves repeatedly sending a Start condition followed by a valid device address byte with the R/W bit set at logic '0'. The device will not respond with an ACK while the write cycle is ongoing. Once the internal write cycle has completed, the EEPROM will respond with an ACK, allowing a new read or write operation to be immediately initiated. A flowchart has been included below in [Figure 7-3](#) to better illustrate this technique.

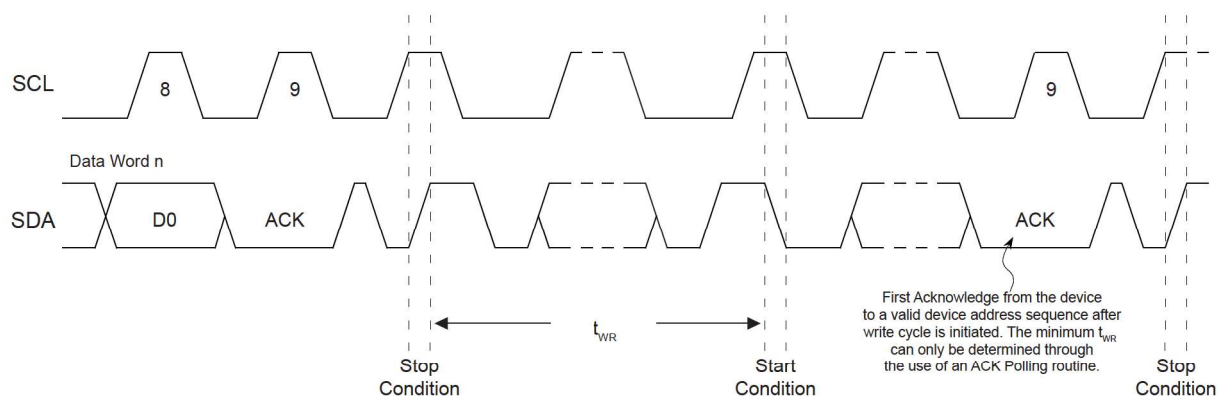
Figure 7-3. Acknowledge Polling Flowchart



7.4 Write Cycle Timing

The length of the self-timed write cycle (t_{WR}) is defined as the amount of time from the Stop condition that begins the internal write cycle to the Start condition of the first device address byte sent to the AT24CSW04X/AT24CSW08X that it subsequently responds to with an ACK. Figure 7-4 has been included to show this measurement. During the internally self-timed write cycle, any attempts to read from or write to the memory array will not be processed.

Figure 7-4. Write Cycle Timing



8. Write Protection

8.1 Hardware Write Protection

The AT24CSW04X/AT24CSW08X utilizes a hardware data protection scheme that allows the user to write-protect the entire memory contents when the WP pin is at V_{CC} (or a valid V_{IH}). No write protection will be set if the WP pin is at GND or left floating.

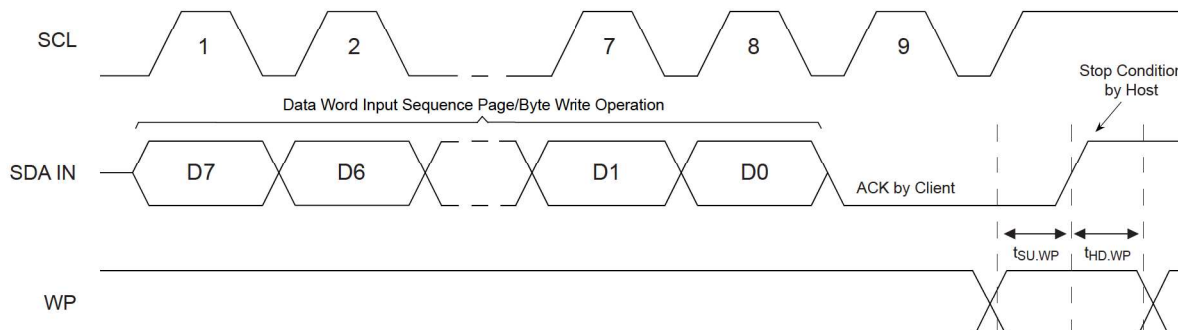
Table 8-1. AT24CSW04X/AT24CSW08X Write-Protect Behavior

WP Pin Voltage	Part of the Array Protected
V_{CC}	Full Array
GND	None — Write Protection Not Enabled

The status of the WP pin is sampled at the Stop condition for every byte write or page write operation prior to the start of an internally self-timed write cycle. Changing the WP pin state after the Stop condition has been sent will not alter or interrupt the execution of the write cycle. The WP pin state must be valid with respect to the associated setup ($t_{SU,WP}$) and hold ($t_{HD,WP}$) timing as shown in [Figure 8-1](#) below. The WP setup time is the amount of time that the WP state must be stable before the Stop condition is issued. The WP hold time is the amount of time after the Stop condition that the WP pin must remain stable.

If an attempt is made to write to the device while the WP pin has been asserted, the device will acknowledge the device address, word address and data bytes. However, no write cycle will occur when the Stop condition is issued. The device will immediately be ready to accept a new read or write command.

Figure 8-1. Write-Protect Setup and Hold Timing



8.2 Software Write Protection of the EEPROM Array

The AT24CSW04X/AT24CSW08X utilizes a software scheme that allows a portion or the entire EEPROM to be inhibited from being written to by modifying the contents of the Write Protection register (WPR). If desired, the WPR can be set so that it may no longer be modified, thereby making the current protection scheme permanent.

The status of the WPR can be determined by following a random read operation. Changing the state of the WPR is accomplished with a byte write operation with the requirements outlined in this section.

Accessing the WPR requires the use of $1011b$ (Bh) as the device type identifier in the device address byte (see [Table 8-2](#)). Following the device type identifier are the hardware address bits (A2, A1) for which the values are determined by the ordering code of the device (see [Table 6-3](#) and [Table 6-4](#)). Finally, bit 0 is the Read/Write Select bit where a logic '1' is used for reading and a logic '0' is used for writing.

AT24CSW04X/AT24CSW08X

Write Protection

Table 8-2. Device Address Byte Requirements for Accessing the Write Protection Register

Memory Region	Device Type Identifier				Hardware Address Bits		Don't Care	R/W Select
	Bit 7	Bit 6	Bit 5	Bit 4	Bit 3	Bit 2 ⁽¹⁾	Bit 1	Bit 0
Write Protection Register	1	0	1	1	A2	A1	X	R/W

Note:

1. The A1 Address Bit is a “Don’t Care” on the AT24CSW08X when accessing the WPR.

When accessing the Write Protection register, it is required that the A7 and A6 bits of the word address be set to 11b respectively. The remaining bits of the word address byte are “don’t care” bits as shown in [Table 8-3](#).

Table 8-3. Word Address Byte Requirements for Accessing the Write Protection Register

	A7	A6	A5	A4	A3	A2	A1	A0
Write Protection Register	1	1	X	X	X	X	X	X

Following the word address byte are the contents of the 8-bit Write Protection register. The register format is shown in [Table 8-4](#) and the WPR bit functions are included in [Table 8-5](#).

Table 8-4. Write Protection Register Format

	D7	D6	D5	D4	D3	D2	D1	D0
Read WPR	0	0	0	0	WPRE	WPB1	WPB0	WPRL
Write WPR	0	1	0: No Lock 1: Set Lock	0				

Table 8-5. Write-Protect Register Bit Function

Bit	Name	Type	Description	
3	WPRE	R/W	0	No Software Write Protection is enabled (<i>Factory Default</i>).
			1	Write protection is set by the state of the WPB[1:0] bits.
2:1	WPB1 WPB0	R/W	00	Upper ¼ of EEPROM is write protected (<i>Factory Default</i>).
			01	Upper ½ of EEPROM is write protected.
			10	Upper ¾ of EEPROM is write protected.
			11	Entire EEPROM is write protected.
0	WPRL	R/OTP	0	WPR can be written to; requires D5 = 0 during write (<i>Factory Default</i>).
			1	WPR will become permanently locked (requires D5 = 1) during write.

- **Write-Protect Register Enable bit (WPRE), Bit 3**
This bit is used to enable or disable the device software write-protect feature. A logic ‘0’ in this position will disable software write protection and a logic ‘1’ will enable this function.
- **Write-Protect Block Bits (WPB[1:0]), Bits 2:1**

These bits allow four levels of protection of the memory array, provided that the WPRE bit is a logic '1'. If the WPRE bit is a logic '0', the state of the WPB[1:0] bits have no impact on device protection. The protected address ranges are found in [Table 8-6](#).

- **Write-Protect Lock Bit (WPRL), Bit 0**

This bit is used to permanently lock the current state of the WPR. A logic '0' indicates that the WPR can be modified, whereas a logic '1' indicates the WPR was locked and can no longer be modified. To safeguard against accidental locking of the WPR, the D5 bit must match the WPRL bit (D0 bit) sent to the device. If these bits do not match, the write cycle is aborted and the WPR contents are not modified.

8.2.1 Protected Address Ranges Set by WPB1 and WPB0

The EEPROM array in the AT24CSW04X/AT24CSW08X will be protected from writing in accordance with the WPB1 and WPB0 bit values as long as the WPRE bit is set to logic '1'. If the WPRE bit is set to logic '0', no portion of the EEPROM array will be protected. The combination of these three bits creates five possible levels of protection for the device. The protected address ranges of the memory are shown in [Table 8-6](#).

Table 8-6. Word Address Byte Requirements for Accessing the Write Protection Register

Protection Level	WPRE	WPB1	WPB0	Protected Address Range		Unprotected Address Range	
				4-Kbit	8-Kbit	4-Kbit	8-Kbit
None	0	X	X	None	None	000h-1FFh	000h-3FFh
Upper ¼	1	0	0	180h-1FFh	300h-3FFh	000h-17Fh	000h-2FFh
Upper ½	1	0	1	100h-1FFh	200h-3FFh	000h-0FFh	000h-1FFh
Upper ¾	1	1	0	080h-1FFh	100h-3FFh	000h-07Fh	000h-0FFh
Full Array	1	1	1	000h-1FFh	000h-3FFh	None	None

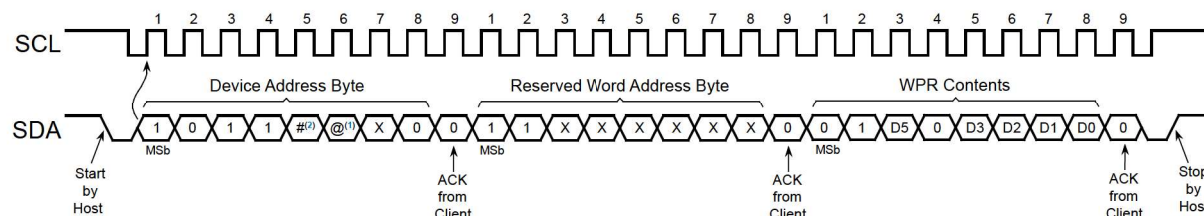
8.3 Writing to the Write Protection Register

When writing the WPR, data bit 7 through 4 are used to ensure that a write operation was intentional. For all write operations to the WPR, bit 6 must be a logic '1' as seen in [Table 8-4](#).

Additionally, data bit 5 must be set in accordance with the D0 bit value (WPRL) as noted below. If the WPR is to remain unlocked, then the upper nibble sent during the write operation would be 4h and D0 must be a logic '0', whereas if the WPR is to be permanently locked, the upper nibble would need to be 6h and D0 must be a logic '1'. A mismatch of D5 and the WPRL bit will cause the write cycle to abort.

Sending more than one byte to the AT24CSW04X/AT24CSW08X when trying to write to the WPR will cause the write cycle to abort and the contents of the WPR will not be changed. Additionally, if the WPR is already locked (WPRL = 1), the write cycle will not execute and the device will be ready for a new operation.

Figure 8-2. Write Protection Register Write



Notes:

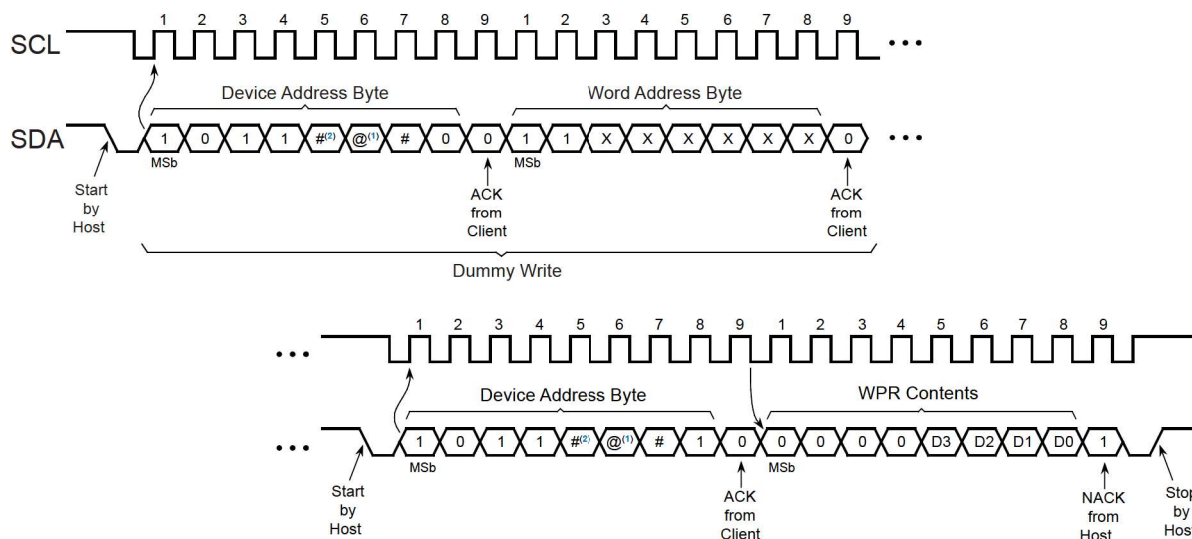
1. For the AT24CSW04X, the @ indicates the A1 Address bit which is managed by the ordering code of the device (see [Table 6-3](#)). For the AT24CSW08X, the @ indicates the A9 address bit.
2. # indicates the hardware address value which is managed by the ordering code of the device (see [Table 6-3](#) and [Table 6-4](#)).

8.4 Reading the Write Protection Register

To read the contents of the WPR, a random read operation must be sent to the device (see [Random Read](#)) so that the reserved word address bits A7 and A6 can properly be set. It is not possible to read the contents of the WPR with a current address read.

When reading the WPR contents, data bit 7 through 4 will always read as a logic '0' as seen in [Table 8-4](#).

Figure 8-3. Read Write Protection Register



Notes:

1. For the AT24CSW04X, the @ indicates the A1 address bit which is managed by the ordering code of the device (see [Table 6-3](#)). For the AT24CSW08X, the @ indicates the A9 address bit.
2. # indicates the hardware address value which is managed by the ordering code of the device (see [Table 6-3](#) and [Table 6-4](#)).

9. Read Operations

Read operations are initiated the same way as write operations with the exception that the Read/Write select bit in the device address byte must be set to a logic '1'. There are multiple read operations supported by the device:

- Current Address Read
- Random Address Read
- Sequential Read

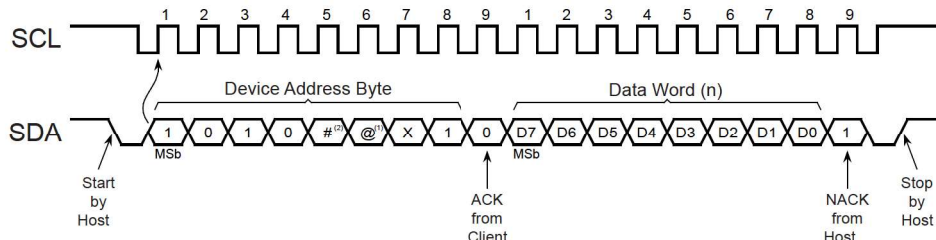
Note: The AT24CSW04X/AT24CSW08X contains a single Address Pointer register which is shared by both the EEPROM and the Security register. As such, when changing from one region to the other, the first read operation in the new region should begin with a dummy write sequence (i.e. a random read operation with the new region's device address and word address bytes) in order to ensure the Address Pointer is set to a known value. See [Read Operations in the Security Register](#) for additional requirements on read operations in the Security register.

9.1 Current Address Read

The internal data word address counter maintains the last address accessed during the last read or write operation, incremented by one. This address stays valid between operations as long as the V_{CC} is maintained to the part. The address rollover during a read is from the last byte of the last page to the first byte of the first page of the memory.

A current address read operation will output data according to the location of the internal data word address counter. This is initiated with a Start condition, followed by a valid device address byte with the R/\bar{W} bit set to logic '1'. The device will ACK this sequence and the current address data word is serially clocked out on the SDA line. All types of read operations will be terminated if the bus host does not respond with an ACK (it NACKs) during the ninth clock cycle. After the NACK response, the host may send a Stop condition to complete the protocol, or it can send a Start condition to begin the next sequence.

Figure 9-1. Current Address Read



Notes:

1. For the AT24CSW04X, the @ indicates the A1 Hardware Address bit which is managed by the ordering code of the device (see [Table 6-3](#)). For the AT24CSW08X, the @ indicates the A9 address bit.
2. # indicates the hardware address value which is managed by the ordering code of the device (see [Table 6-3](#) and [Table 6-4](#)).

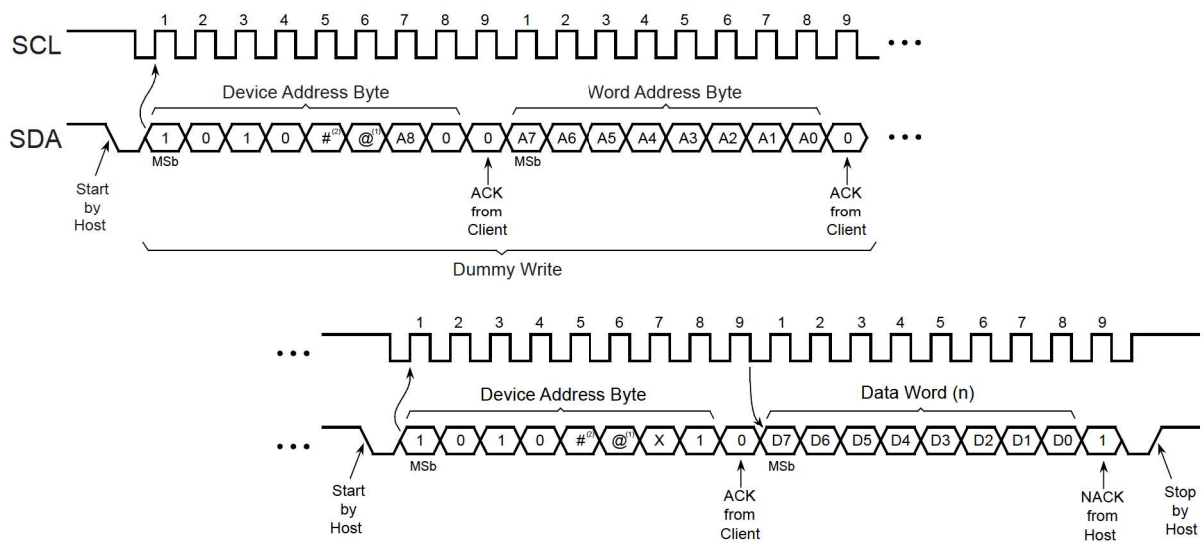
9.2 Random Read

A random read begins in the same way as a byte write operation does to load in a new data word address. This is known as a "dummy write" sequence. However, the data byte and the Stop condition of the byte write must be omitted to prevent the part from entering an internal write cycle. Once the device address and word address are clocked in and acknowledged by the EEPROM, the bus host must generate another Start condition. The bus host now initiates a current address read by sending a Start condition, followed by a valid device address byte with the R/\bar{W} bit set to logic '1'. The EEPROM will ACK the device address and serially clock out the data word on the SDA line. All types of read operations will be terminated if the bus host does not respond with an ACK (it NACKs) during the ninth clock cycle. After the NACK response, the host may send a Stop condition to complete the protocol or it can send a Start condition to begin the next sequence.

AT24CSW04X/AT24CSW08X

Read Operations

Figure 9-2. Random Read



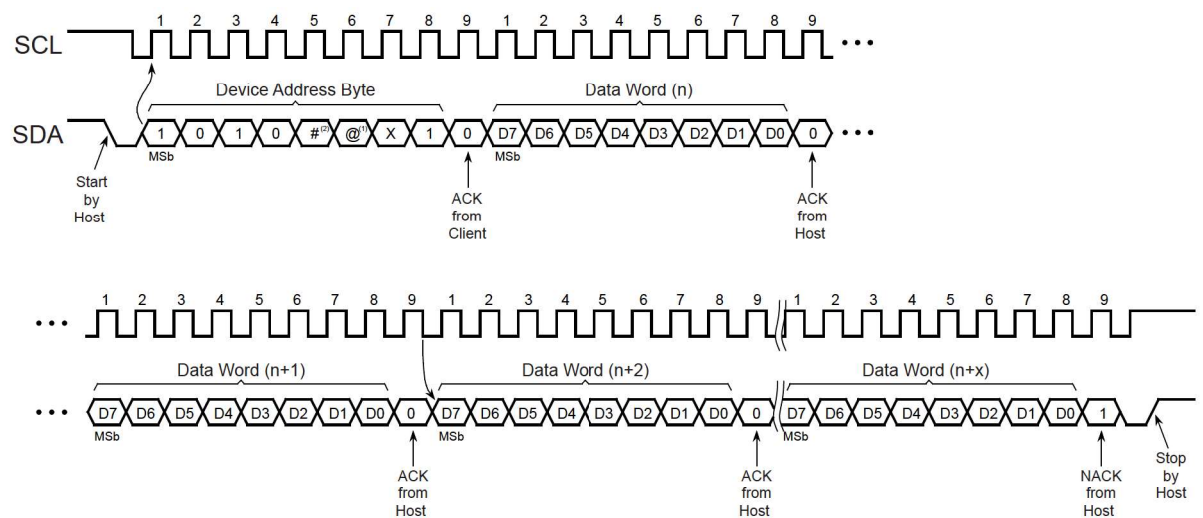
Notes:

1. For the AT24CSW04X, the @ indicates the A1 Hardware Address bit which is managed by the ordering code of the device (see Table 6-3). For the AT24CSW08X, the @ indicates the A9 address bit.
2. # indicates the hardware address value which is managed by the ordering code of the device (see Table 6-3 and Table 6-4).

9.3 Sequential Read

Sequential reads are initiated by either a current address read or a random read. After the bus host receives a data word, it responds with an Acknowledge. As long as the EEPROM receives an ACK, it will continue to increment the word address and serially clock out sequential data words. When the maximum memory address is reached, the data word address will rollover and the sequential read will continue from the beginning of the memory array. All types of read operations will be terminated if the bus host does not respond with an ACK (it NACKs) during the ninth clock cycle. After the NACK response, the host may send a Stop condition to complete the protocol or it can send a Start condition to begin the next sequence.

Figure 9-3. Sequential Read



AT24CSW04X/AT24CSW08X

Read Operations

Notes:

1. For the AT24CSW04X, the @ indicates the A1 Hardware Address bit which is managed by the ordering code of the device (see [Table 6-3](#)). For the AT24CSW08X, the @ indicates the A9 address bit.
2. # indicates the hardware address value which is managed by the ordering code of the device (see [Table 6-3](#) and [Table 6-4](#)).

10. Security Register

The AT24CSW04X/AT24CSW08X includes a 32-byte Security register. The Security register is segmented into a 16-byte read-only section and a 16-byte user-programmable section organized as 2 pages of 16 bytes each. The user-programmable portion supports both byte write and page write operations. The read-only section contains a preprogrammed ensured unique 128-bit serial number. The user-programmable portion may be permanently locked at any time with the Lock command.

Table 10-1. Security Register Organization

Security Register Byte Number									
0	1	...	14	15	16	17	...	30	31
Factory-Programmed (Read-only) 0-15: Device Serial Number					User-Programmable (Lockable)				

10.1 Custom Programming Option

Microchip supports the preprogramming and subsequent locking of customer specific data in the user-programmable portion of the Security register. Contact the local Microchip Sales representative for more details on this custom solution.

10.2 Read Operations in the Security Register

Random read and sequential read operations are supported by the Security register provided the device address uses a device type identifier of $1011b$ (Bh), and the A7 and A6 bits of the word address are set to $10b$. Current address reads in the Security register are not supported due to the fact that the required A7 and A6 address bits in the word address byte do not get sent to the device.

The first 16 bytes of the Security register are by definition read-only and contain a preprogrammed ensured unique 128-bit serial number. The remaining 16 bytes of the Security register are user-programmable and can be locked from any future programming operations (see [Lock Command](#)).

10.2.1 Address Pointer Behavior

The AT24CSW04X/AT24CSW08X contains a single Address Pointer that is shared between the EEPROM and the Security register. As such, any read operation to the Security register should begin with a dummy write sequence (i.e. random read) to ensure the Address Pointer is set to a known value. If the preceding operation was to the Security register, the Address Pointer will retain the last access location incremented by one.

10.2.2 Serial Number Read

Reading the 128-bit serial number is similar to the sequential read sequence but requires use of the device address seen in [Figure 10-1](#), a dummy write and a specific word address. The word address must begin with a $10b$ sequence regardless of the intended address. If a word address other than $10b$ is used, the device will not output valid data.

Example: If the application desires to read the first byte of the serial number, the word address input would need to be $80h$.

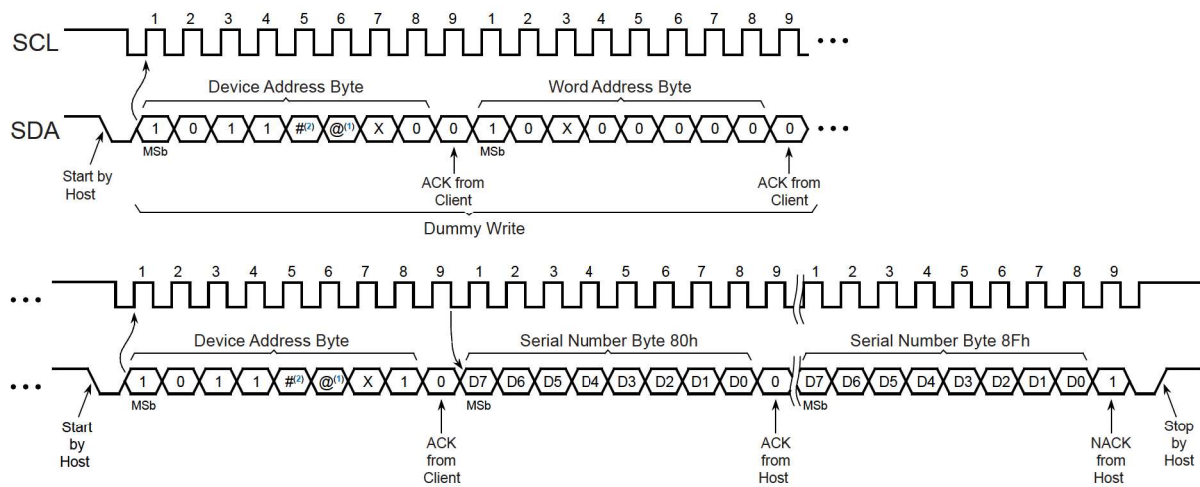
Note: The entire 128-bit value must be read from the starting address of the serial number block to ensure a unique number. Reading the serial number from a location other than the first address of the block will not result in a unique serial number.

When the end of the Security register is reached (32 bytes of data), the data word address will roll over to the beginning of Security register starting with the most significant byte of the 128-bit serial number. The serial number read operation or any read of the Security register is terminated when the host does not respond with an ACK and instead issues a Stop condition.

AT24CSW04X/AT24CSW08X

Security Register

Figure 10-1. Serial Number Read



Notes:

1. For the AT24CSW04X, the @ indicates the A1 Address bit which is managed by the ordering code of the device (see Table 6-3). For the AT24CSW08X, the @ indicates the A9 address bit.
2. # indicates the hardware address value which is managed by the ordering code of the device (see Table 6-3 and Table 6-4).

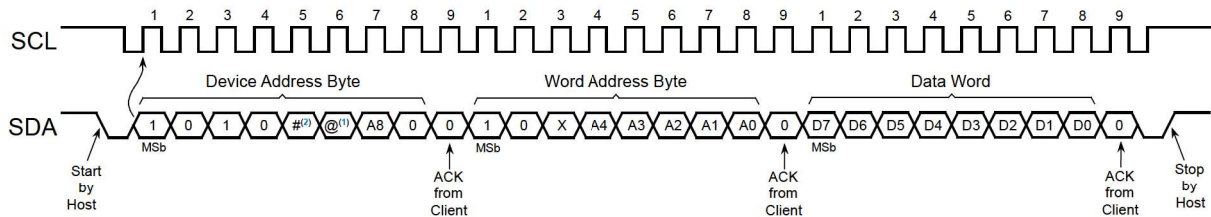
10.3 Write Operations in the Security Register

The Security register supports byte writes, page writes and partial page writes in the upper 16 bytes of the region. Page writes and partial page writes in the Security register have the same page boundary restrictions and behavior as they do in the EEPROM region (see Page Write).

Writing in the Security register requires beginning the device address byte with 1011b (Bh), matching the hardware address bits (A2, A1) to the corresponding value determined by the ordering code of the device (see Table 6-3 and Table 6-4) and sending a logic '0' in the Read/Write Select bit. The device will ACK this sequence.

Following the device address byte, bits A7 and A6 of the word address byte must be set to 10b regardless of the intended address being written. Refer to Table 6-5 for detailed requirements on these bits. Figure 10-2 is an example of a byte write operation in the Security register.

Figure 10-2. Byte Write in the Security Register



Notes:

1. For the AT24CSW04X, the @ indicates the A1 address bit which is managed by the ordering code of the device (see Table 6-3). For the AT24CSW08X, the @ indicates the A9 address bit.
2. # indicates the hardware address value which is managed by the ordering code of the device (see Table 6-3 and Table 6-4).

The user-programmable portion of the Security register can be permanently inhibited from future writing with the Lock command. The status of the Lock state can be determined by sending a subset of the Lock command.

10.3.1 Lock Command

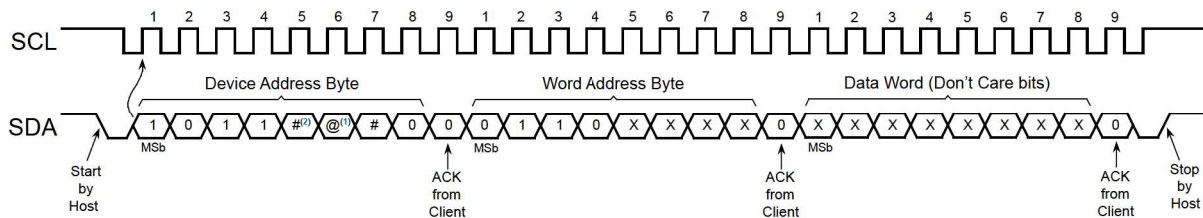
The Lock command is an irreversible sequence that will permanently prevent all future writing to the Security register. Once the Lock command has been executed, the Security register becomes read-only.

Note: Once the Security register has been locked, it cannot be unlocked.

The Lock command protocol emulates a byte write operation to the Security register. However, the A7 through A4 bits of the word address must be set to 0110b (6h). The remaining bits of the word address and the data word are “don’t care” bits. Even though these bits are “don’t cares”, they still must be transmitted to the part. An ACK response to the word address and data word byte indicates the Security register is not currently locked. A NACK response indicates the AT24CSW04X/AT24CSW08X is already locked. Refer to [Determining the Lock State of the Security Register](#) for details about determining the Lock status of the AT24CSW04X/AT24CSW08X.

The sequence completes with a Stop condition being sent to the device, which initiates a self-timed internal write cycle. The Lock operation will conclude upon completion of that write cycle, subsequently making the Security register permanently read-only. Read operations are always allowed to the device.

Figure 10-3. Lock Command



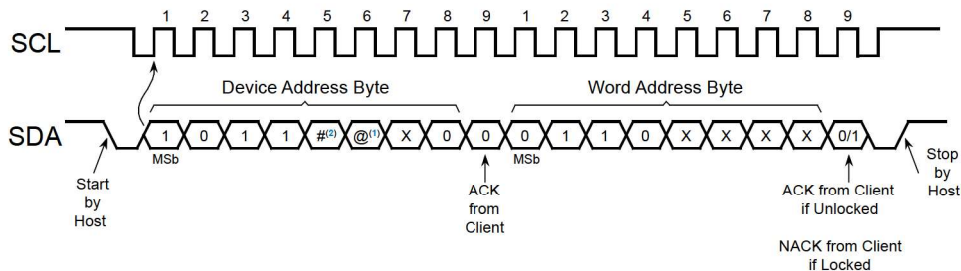
Notes:

1. For the AT24CSW04X, the @ indicates the A1 address bit (see [Table 6-3](#)). For the AT24CSW08X, the @ indicates the A9 address bit.
2. # indicates the hardware address value which is managed by the ordering code of the device (see [Table 6-3](#) and [Table 6-4](#)).

10.3.2 Determining the Lock State of the Security Register

The Lock state of the device can be determined by sending a subset of the Lock command to the device. Only the device address byte and word address byte need to be transmitted to the device to determine the Lock state. An ACK response to the word address byte indicates the Lock has not been set while a NACK response indicates the Lock has been set. If the Lock has already been set, it cannot be undone. The abbreviated Lock sequence is completed by the host sending a Stop condition to the device.

Figure 10-4. Determining the Security Register Lock State



Notes:

1. For the AT24CSW04X, the @ indicates the A1 Address bit which is managed by the ordering code of the (see [Table 6-3](#)). For the AT24CSW08X, the @ indicates the A9 address bit.
2. # indicates the hardware address value which is managed by the ordering code of the device (see [Table 6-3](#) and [Table 6-4](#)).

11. Device Default Condition from Microchip

The AT24CSW04X/AT24CSW08X is delivered with the EEPROM array set to logic '1', resulting in FFh data in all locations.


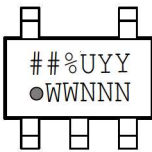
The Security register contains a preprogrammed 128-bit serial number in the lower 16 bytes. The upper 16 bytes of this register is set to logic '1' resulting in FFh data.

The device is delivered with the Security register Lock function not enabled (see [Lock Command](#)) and the Write Protection register set to 00h.

12. Packaging Information

12.1 Package Marking Information

AT24CSW04x and AT24CSW08x: Package Marking Information

4-ball WLCSP	5-lead SOT23
	

Note 1: ● designates pin 1
 Note 2: Package drawings are not to scale

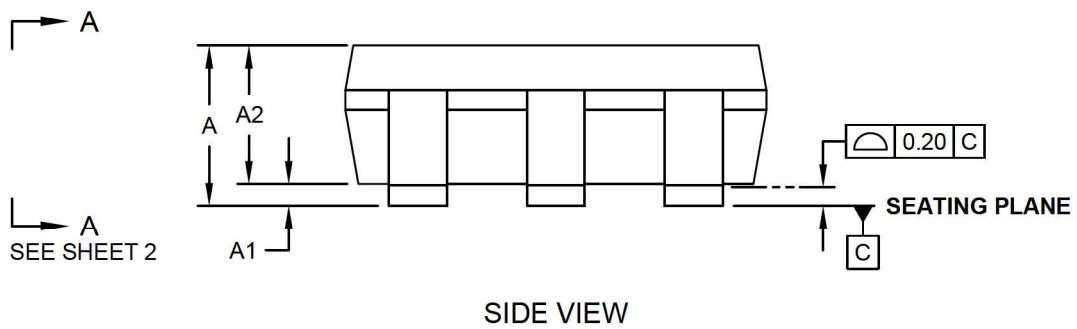
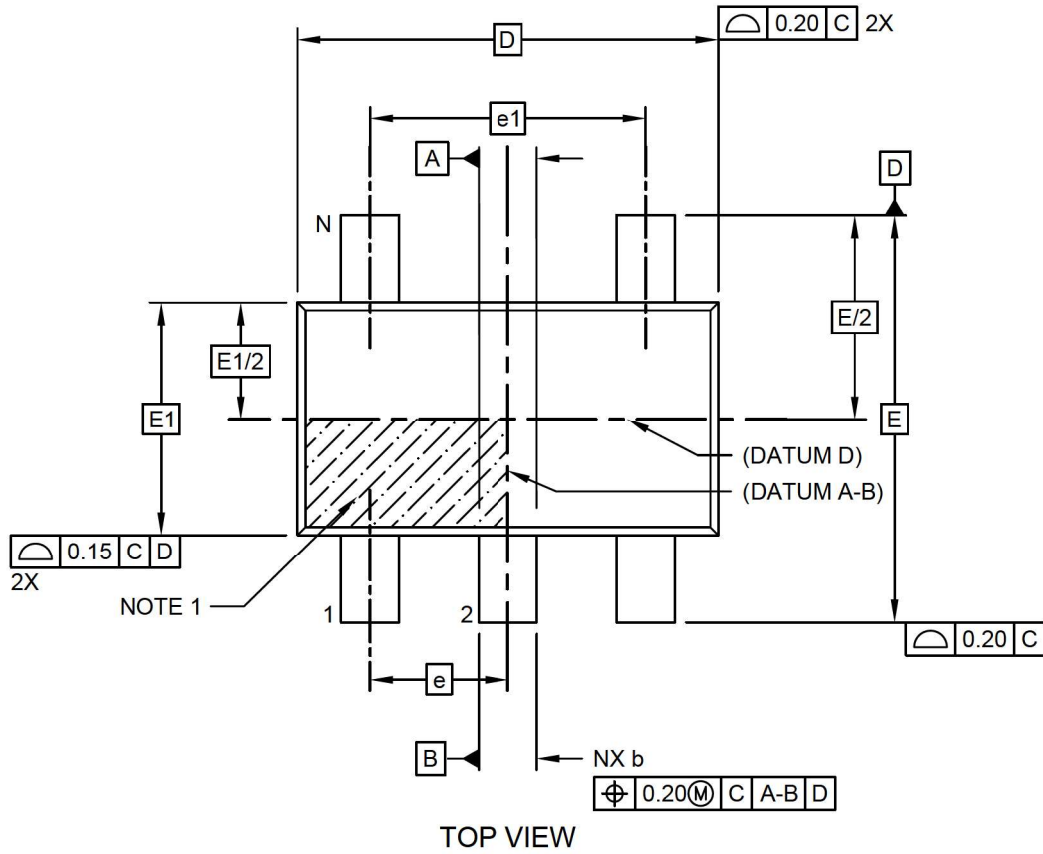
Catalog Number Truncation			
AT24CSW04x		Truncation Code W4: Not used for WLCSP	
AT24CSW08x		Truncation Code W8: Not used for WLCSP	
Date Codes		Voltages	
YY = Year	Y = Year	WW = Work Week of Assembly	% = Minimum Voltage
16: 2016 20: 2020	6: 2016 0: 2020	02: Week 2	M: 1.7V min
17: 2017 21: 2021	7: 2017 1: 2021	04: Week 4	
18: 2018 22: 2022	8: 2018 2: 2022	...	
19: 2019 23: 2023	9: 2019 3: 2023	52: Week 52	
Country of Origin		Device Grade	Atmel Truncation
CO = Country of Origin		H or U: Industrial Grade	AT: Atmel ATM: Atmel ATML: Atmel
Trace Code			
NNN = Alphanumeric Trace Code (2 Characters for Small Packages)			

AT24CSW04X/AT24CSW08X

Packaging Information

5-Lead Plastic Thin Small Outline Transistor (NMB) [TSOT] Atmel Legacy Global Package Code TSZ

Note: For the most current package drawings, please see the Microchip Packaging Specification located at <http://www.microchip.com/packaging>



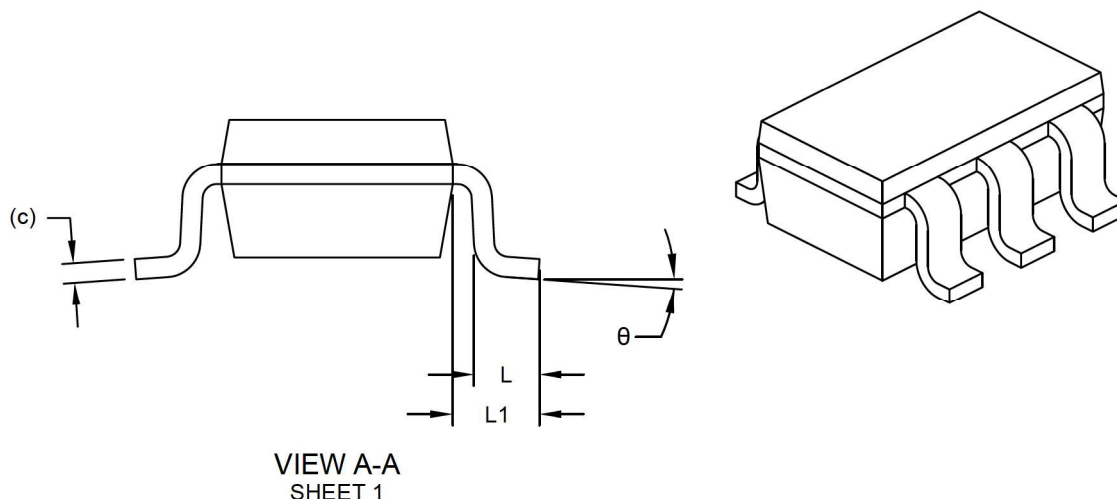
Microchip Technology Drawing C04-21344 Rev B Sheet 1 of 2

AT24CSW04X/AT24CSW08X

Packaging Information

5-Lead Plastic Thin Small Outline Transistor (NMB) [TSOT] Atmel Legacy Global Package Code TSZ

Note: For the most current package drawings, please see the Microchip Packaging Specification located at <http://www.microchip.com/packaging>



Dimension Limits	Units	MILLIMETERS		
		MIN	NOM	MAX
Number of Leads	N	5		
Pitch	e	0.95 BSC		
Outside lead pitch	e1	1.90 BSC		
Overall Height	A	-	-	1.10
Molded Package Thickness	A2	0.70	0.90	1.00
Standoff	A1	-	-	0.10
Overall Width	E	2.80 BSC		
Molded Package Width	E1	1.60 BSC		
Overall Length	D	2.90 BSC		
Foot Length	L	0.30	-	0.60
Footprint	L1	0.60 REF		
Foot Angle	θ	0°	-	8°
Lead Thickness	c	0.08	-	0.20
Lead Width	b	0.30	-	0.50

Notes:

- Dimensions D and E1 do not include mold flash or protrusions. Mold flash or protrusions shall not exceed 0.25mm per side.
- Dimensioning and tolerancing per ASME Y14.5M
BSC: Basic Dimension. Theoretically exact value shown without tolerances.
REF: Reference Dimension, usually without tolerance, for information purposes only.

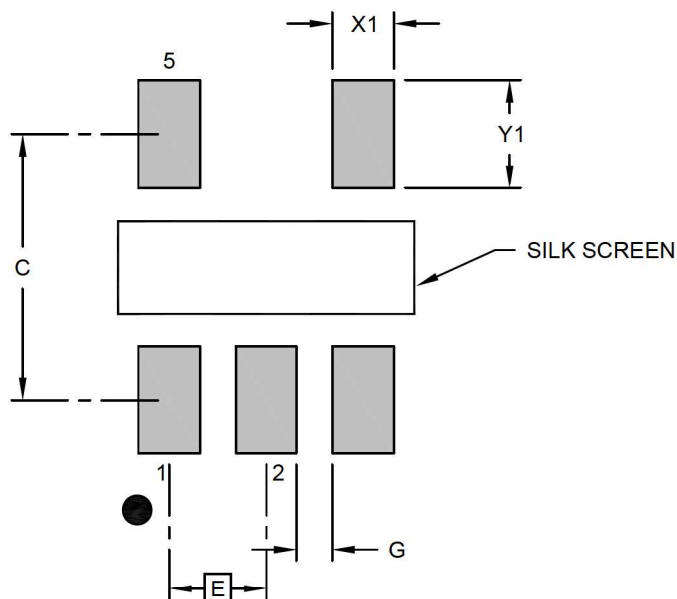
Microchip Technology Drawing C04-21344 Rev B Sheet 2 of 2

AT24CSW04X/AT24CSW08X

Packaging Information

5-Lead Plastic Thin Small Outline Transistor (NMB) [TSOT] Atmel Legacy Global Package Code TSZ

Note: For the most current package drawings, please see the Microchip Packaging Specification located at <http://www.microchip.com/packaging>



RECOMMENDED LAND PATTERN

Dimension Limits	Units	MILLIMETERS		
		MIN	NOM	MAX
Contact Pitch	E	0.95 BSC		
Contact Pad Spacing	C		2.60	
Contact Pad Width (X5)	X1			0.60
Contact Pad Length (X5)	Y1			1.05
Contact Pad to Center Pad (X2)	G	0.20		

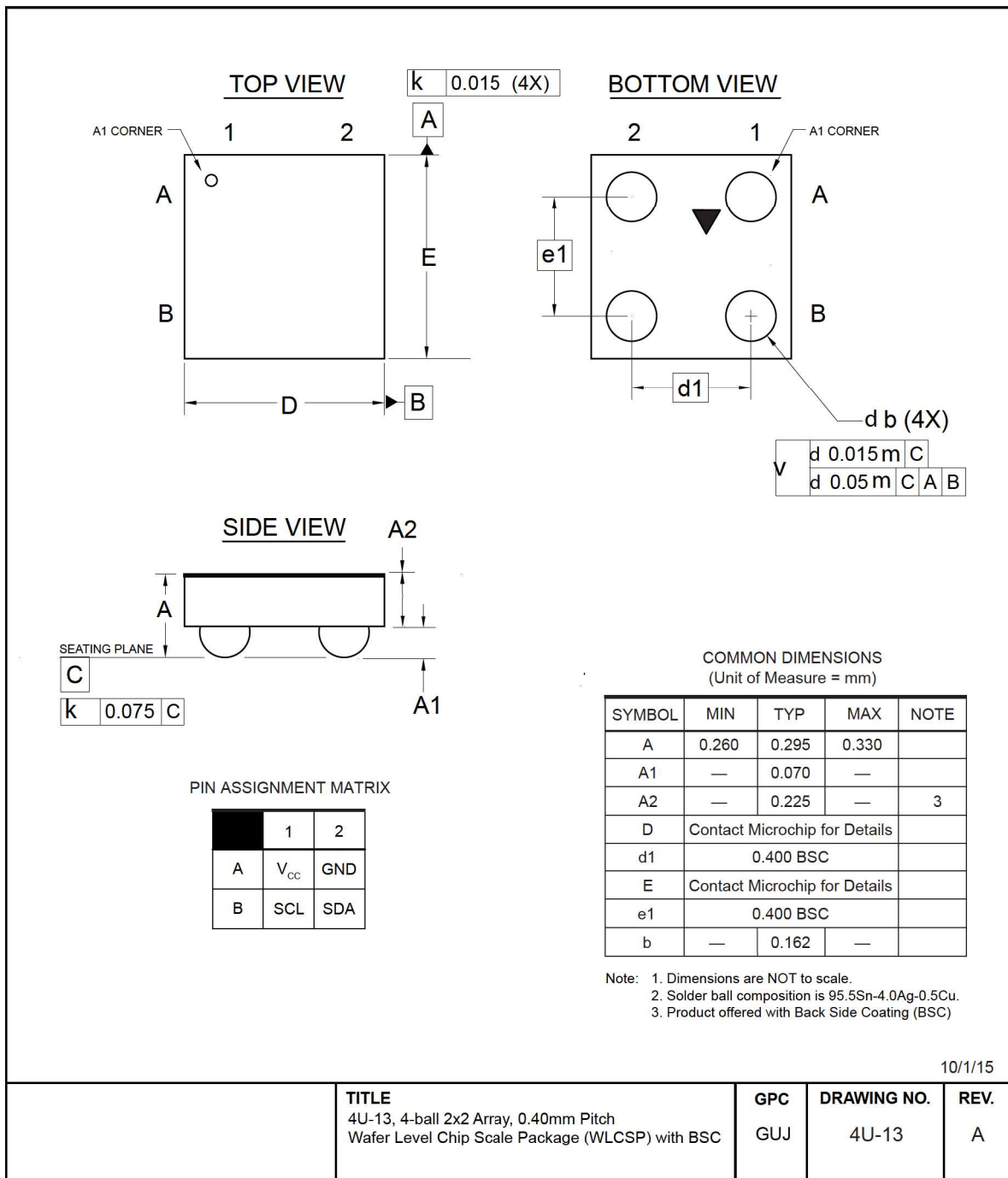
Notes:

1. Dimensioning and tolerancing per ASME Y14.5M
BSC: Basic Dimension. Theoretically exact value shown without tolerances.
2. For best soldering results, thermal vias, if used, should be filled or tented to avoid solder loss during reflow process

Microchip Technology Drawing C04-23344 Rev B

AT24CSW04X/AT24CSW08X

Packaging Information



Note: For the most current package drawings, please see the Microchip Packaging Specification located at <http://www.microchip.com/packaging>.

13. Revision History

Revision B (August 2021)

Replaced terminology “Master” and “Slave” with “Host” and “Client”, respectively. Added 5-Lead SOT23 package option and WP pin details. Fixed Table 6-3 typos.

Revision A (September 2020)

Updated to the Microchip template. Microchip DS20006426 replaces Atmel document 47001. Updated Part Marking Information. Updated the "Software Reset" section. Added ESD rating. Removed lead finish designation. Updated trace code format in package markings. Updated formatting to current template.

Atmel Document 47001 Revision B (January 2017)

Updated Power-On Requirements and Reset Behavior section.

Atmel Document 47001 Revision A (July 2016)

Initial release of this document, Complete status.

The Microchip Website

Microchip provides online support via our website at www.microchip.com/. This website is used to make files and information easily available to customers. Some of the content available includes:

- **Product Support** – Data sheets and errata, application notes and sample programs, design resources, user's guides and hardware support documents, latest software releases and archived software
- **General Technical Support** – Frequently Asked Questions (FAQs), technical support requests, online discussion groups, Microchip design partner program member listing
- **Business of Microchip** – Product selector and ordering guides, latest Microchip press releases, listing of seminars and events, listings of Microchip sales offices, distributors and factory representatives

Product Change Notification Service

Microchip's product change notification service helps keep customers current on Microchip products. Subscribers will receive email notification whenever there are changes, updates, revisions or errata related to a specified product family or development tool of interest.

To register, go to www.microchip.com/pcn and follow the registration instructions.

Customer Support

Users of Microchip products can receive assistance through several channels:

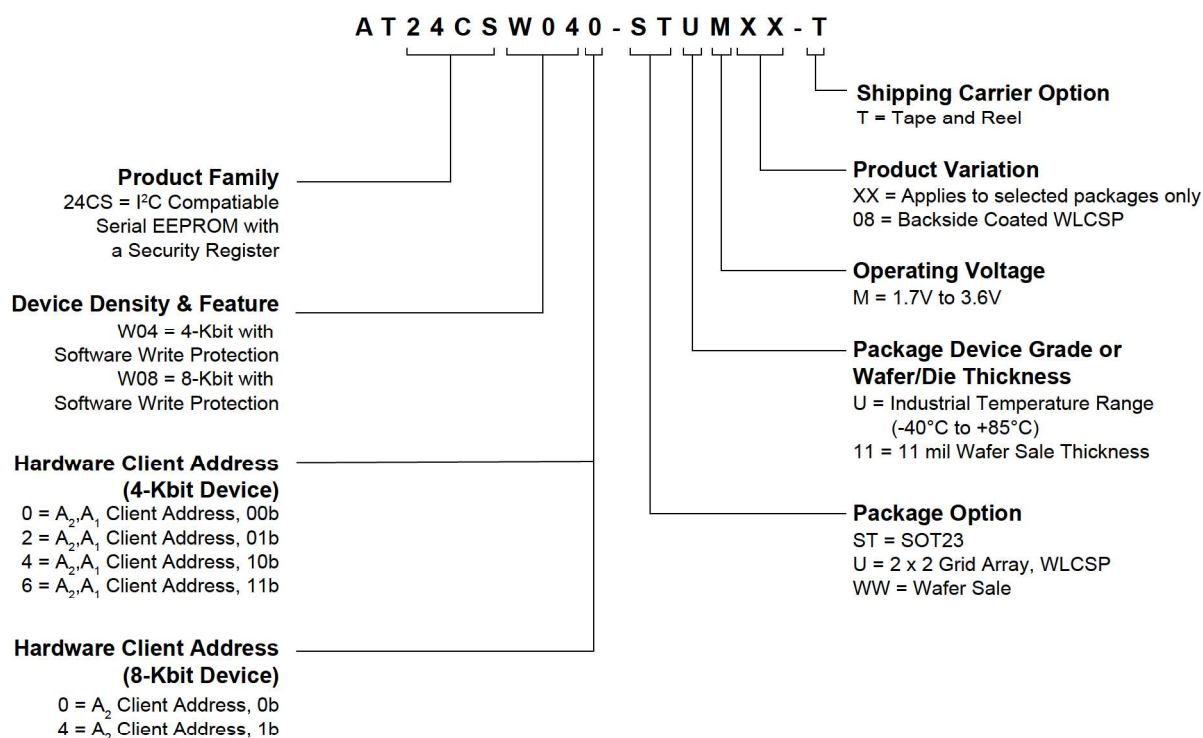
- Distributor or Representative
- Local Sales Office
- Embedded Solutions Engineer (ESE)
- Technical Support

Customers should contact their distributor, representative or ESE for support. Local sales offices are also available to help customers. A listing of sales offices and locations is included in this document.

Technical support is available through the website at: www.microchip.com/support

Product Identification System

To order or obtain information, e.g., on pricing or delivery, refer to the factory or the listed sales office.



Examples

Device	Package	Package Drawing Code	Package Option	Shipping Carrier Option	Device Grade
AT24CSW040-STUM-T	SOT23	4U-13	ST	Tape and Reel	Industrial Temperature (-40°C to +85°C)
AT24CSW080-STUM-T	SOT23	4U-13	ST	Tape and Reel	
AT24CSW040-UUM0B-T	WLCSP	4U-13	U	Tape and Reel	
AT24CSW080-UUM0B-T	WLCSP	4U-13	U	Tape and Reel	

Microchip Devices Code Protection Feature

Note the following details of the code protection feature on Microchip devices:

- Microchip products meet the specifications contained in their particular Microchip Data Sheet.
- Microchip believes that its family of products is secure when used in the intended manner and under normal conditions.
- There are dishonest and possibly illegal methods being used in attempts to breach the code protection features of the Microchip devices. We believe that these methods require using the Microchip products in a manner outside the operating specifications contained in Microchip's Data Sheets. Attempts to breach these code protection features, most likely, cannot be accomplished without violating Microchip's intellectual property rights.
- Microchip is willing to work with any customer who is concerned about the integrity of its code.

- Neither Microchip nor any other semiconductor manufacturer can guarantee the security of its code. Code protection does not mean that we are guaranteeing the product is “unbreakable.” Code protection is constantly evolving. We at Microchip are committed to continuously improving the code protection features of our products. Attempts to break Microchip’s code protection feature may be a violation of the Digital Millennium Copyright Act. If such acts allow unauthorized access to your software or other copyrighted work, you may have a right to sue for relief under that Act.

Legal Notice

Information contained in this publication is provided for the sole purpose of designing with and using Microchip products. Information regarding device applications and the like is provided only for your convenience and may be superseded by updates. It is your responsibility to ensure that your application meets with your specifications.

THIS INFORMATION IS PROVIDED BY MICROCHIP “AS IS”. MICROCHIP MAKES NO REPRESENTATIONS OR WARRANTIES OF ANY KIND WHETHER EXPRESS OR IMPLIED, WRITTEN OR ORAL, STATUTORY OR OTHERWISE, RELATED TO THE INFORMATION INCLUDING BUT NOT LIMITED TO ANY IMPLIED WARRANTIES OF NON-INFRINGEMENT, MERCHANTABILITY, AND FITNESS FOR A PARTICULAR PURPOSE OR WARRANTIES RELATED TO ITS CONDITION, QUALITY, OR PERFORMANCE.

IN NO EVENT WILL MICROCHIP BE LIABLE FOR ANY INDIRECT, SPECIAL, PUNITIVE, INCIDENTAL OR CONSEQUENTIAL LOSS, DAMAGE, COST OR EXPENSE OF ANY KIND WHATSOEVER RELATED TO THE INFORMATION OR ITS USE, HOWEVER CAUSED, EVEN IF MICROCHIP HAS BEEN ADVISED OF THE POSSIBILITY OR THE DAMAGES ARE FORESEEABLE. TO THE FULLEST EXTENT ALLOWED BY LAW, MICROCHIP’S TOTAL LIABILITY ON ALL CLAIMS IN ANY WAY RELATED TO THE INFORMATION OR ITS USE WILL NOT EXCEED THE AMOUNT OF FEES, IF ANY, THAT YOU HAVE PAID DIRECTLY TO MICROCHIP FOR THE INFORMATION. Use of Microchip devices in life support and/or safety applications is entirely at the buyer’s risk, and the buyer agrees to defend, indemnify and hold harmless Microchip from any and all damages, claims, suits, or expenses resulting from such use. No licenses are conveyed, implicitly or otherwise, under any Microchip intellectual property rights unless otherwise stated.

Trademarks

The Microchip name and logo, the Microchip logo, Adaptec, AnyRate, AVR, AVR logo, AVR Freaks, BesTime, BitCloud, chipKIT, chipKIT logo, CryptoMemory, CryptoRF, dsPIC, FlashFlex, flexPWR, HELDO, IGLOO, JukeBlox, KeeLoq, Kleer, LANCheck, LinkMD, maXStylus, maXTouch, MediaLB, megaAVR, Microsemi, Microsemi logo, MOST, MOST logo, MPLAB, OptoLyzer, PackeTime, PIC, picoPower, PICSTART, PIC32 logo, PolarFire, Prochip Designer, QTouch, SAM-BA, SenGenuity, SpyNIC, SST, SST Logo, SuperFlash, Symmetricom, SyncServer, Tachyon, TimeSource, tinyAVR, UNI/O, Vectron, and XMEGA are registered trademarks of Microchip Technology Incorporated in the U.S.A. and other countries.

AgileSwitch, APT, ClockWorks, The Embedded Control Solutions Company, EtherSynch, FlashTec, Hyper Speed Control, HyperLight Load, IntelliMOS, Libero, motorBench, mTouch, Powermite 3, Precision Edge, ProASIC, ProASIC Plus, ProASIC Plus logo, Quiet-Wire, SmartFusion, SyncWorld, Temux, TimeCesium, TimeHub, TimePictra, TimeProvider, WinPath, and ZL are registered trademarks of Microchip Technology Incorporated in the U.S.A.

Adjacent Key Suppression, AKS, Analog-for-the-Digital Age, Any Capacitor, AnyIn, AnyOut, Augmented Switching, BlueSky, BodyCom, CodeGuard, CryptoAuthentication, CryptoAutomotive, CryptoCompanion, CryptoController, dsPICDEM, dsPICDEM.net, Dynamic Average Matching, DAM, ECAN, Espresso T1S, EtherGREEN, IdealBridge, In-Circuit Serial Programming, ICSP, INICnet, Intelligent Paralleling, Inter-Chip Connectivity, JitterBlocker, maxCrypto, maxView, memBrain, Mindi, MiWi, MPASM, MPF, MPLAB Certified logo, MPLIB, MPLINK, MultiTRAK, NetDetach, Omniscient Code Generation, PICDEM, PICDEM.net, PICkit, PICtail, PowerSmart, PureSilicon, QMatrix, REAL ICE, Ripple Blocker, RTAX, RTG4, SAM-ICE, Serial Quad I/O, simpleMAP, SimpliPHY, SmartBuffer, SMART-I.S., storClad, SQI, SuperSwitcher, SuperSwitcher II, Switchtec, SynchroPHY, Total Endurance, TSHARC, USBCheck, VariSense, VectorBlox, VeriPHY, ViewSpan, WiperLock, XpressConnect, and ZENA are trademarks of Microchip Technology Incorporated in the U.S.A. and other countries.

SQTP is a service mark of Microchip Technology Incorporated in the U.S.A.

The Adaptec logo, Frequency on Demand, Silicon Storage Technology, and Symmcom are registered trademarks of Microchip Technology Inc. in other countries.

GestIC is a registered trademark of Microchip Technology Germany II GmbH & Co. KG, a subsidiary of Microchip Technology Inc., in other countries.

All other trademarks mentioned herein are property of their respective companies.

© 2020-2021, Microchip Technology Incorporated, Printed in the U.S.A., All Rights Reserved.

ISBN: 978-1-5224-7693-1

AMBA, Arm, Arm7, Arm7TDMI, Arm9, Arm11, Artisan, big.LITTLE, Cordio, CoreLink, CoreSight, Cortex, DesignStart, DynamIQ, Jazelle, Keil, Mali, Mbed, Mbed Enabled, NEON, POP, RealView, SecurCore, Socrates, Thumb, TrustZone, ULINK, ULINK2, ULINK-ME, ULINK-PLUS, ULINKpro, μ Vision, Versatile are trademarks or registered trademarks of Arm Limited (or its subsidiaries) in the US and/or elsewhere.

Quality Management System

For information regarding Microchip's Quality Management Systems, please visit www.microchip.com/quality.



MICROCHIP

Worldwide Sales and Service

AMERICAS	ASIA/PACIFIC	ASIA/PACIFIC	EUROPE
Corporate Office 2355 West Chandler Blvd. Chandler, AZ 85224-6199 Tel: 480-792-7200 Fax: 480-792-7277 Technical Support: www.microchip.com/support Web Address: www.microchip.com	Australia - Sydney Tel: 61-2-9868-6733 China - Beijing Tel: 86-10-8569-7000 China - Chengdu Tel: 86-28-8665-5511 China - Chongqing Tel: 86-23-8980-9588 China - Dongguan Tel: 86-769-8702-9880 China - Guangzhou Tel: 86-20-8755-8029 China - Hangzhou Tel: 86-571-8792-8115 China - Hong Kong SAR Tel: 852-2943-5100 China - Nanjing Tel: 86-25-8473-2460 China - Qingdao Tel: 86-532-8502-7355 China - Shanghai Tel: 86-21-3326-8000 China - Shenyang Tel: 86-24-2334-2829 China - Shenzhen Tel: 86-755-8864-2200 China - Suzhou Tel: 86-186-6233-1526 China - Wuhan Tel: 86-27-5980-5300 China - Xian Tel: 86-29-8833-7252 China - Xiamen Tel: 86-592-2388138 China - Zhuhai Tel: 86-756-3210040	India - Bangalore Tel: 91-80-3090-4444 India - New Delhi Tel: 91-11-4160-8631 India - Pune Tel: 91-20-4121-0141 Japan - Osaka Tel: 81-6-6152-7160 Japan - Tokyo Tel: 81-3-6880- 3770 Korea - Daegu Tel: 82-53-744-4301 Korea - Seoul Tel: 82-2-554-7200 Malaysia - Kuala Lumpur Tel: 60-3-7651-7906 Malaysia - Penang Tel: 60-4-227-8870 Philippines - Manila Tel: 63-2-634-9065 Singapore Tel: 65-6334-8870 Taiwan - Hsin Chu Tel: 886-3-577-8366 Taiwan - Kaohsiung Tel: 886-7-213-7830 Taiwan - Taipei Tel: 886-2-2508-8600 Thailand - Bangkok Tel: 66-2-694-1351 Vietnam - Ho Chi Minh Tel: 84-28-5448-2100	Austria - Wels Tel: 43-7242-2244-39 Fax: 43-7242-2244-393 Denmark - Copenhagen Tel: 45-4485-5910 Fax: 45-4485-2829 Finland - Espoo Tel: 358-9-4520-820 France - Paris Tel: 33-1-69-53-63-20 Fax: 33-1-69-30-90-79 Germany - Garching Tel: 49-8931-9700 Germany - Haan Tel: 49-2129-3766400 Germany - Heilbronn Tel: 49-7131-72400 Germany - Karlsruhe Tel: 49-721-625370 Germany - Munich Tel: 49-89-627-144-0 Fax: 49-89-627-144-44 Germany - Rosenheim Tel: 49-8031-354-560 Israel - Ra'anana Tel: 972-9-744-7705 Italy - Milan Tel: 39-0331-742611 Fax: 39-0331-466781 Italy - Padova Tel: 39-049-7625286 Netherlands - Drunen Tel: 31-416-690399 Fax: 31-416-690340 Norway - Trondheim Tel: 47-72884388 Poland - Warsaw Tel: 48-22-3325737 Romania - Bucharest Tel: 40-21-407-87-50 Spain - Madrid Tel: 34-91-708-08-90 Fax: 34-91-708-08-91 Sweden - Gothenberg Tel: 46-31-704-60-40 Sweden - Stockholm Tel: 46-8-5090-4654 UK - Wokingham Tel: 44-118-921-5800 Fax: 44-118-921-5820