

DisplayPort Male to HDMI Male Lead



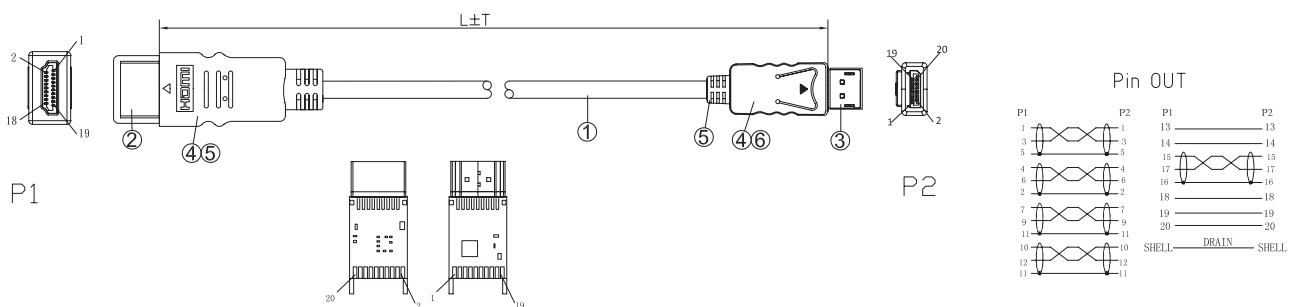
**RoHS
Compliant**



Specifications

Connector Type A	: DisplayPort Plug
Connector Type B	: HDMI Plug
Resolution	: 1080p @ 60Hz
Jacket Colour	: White

Diagram



No.	Material	Description	Qty	Unit
1	Cable	(7/0.127TC×1P+7/0.127TC=FAM)×5+(7/0.127TC)×5C+AL-Foil+Drain Wire+(1/0.32BC)+Braid(96/0.12AL-MG) White PVC Jacket, OD: 7.3±0.2mm	-	mm
2	Connector	HDMI A Male the pin gold plated, Black insulation, Gold plated shell PCBA+(IC:PS8121E)	1	Pcs
3	Connector	DP Male the Pin Gold Plated, Black Insulation, Gold Plated Shell		
4	Molded	LD-PE	-	g
5	Molded	45P White PVC		
6	Plastic Hood	DP Male White ABS		

Part Number Table

Description	L ±T (mm)	Part Number
DisplayPort Male to HDMI Male Lead, White	500 ±15	PSG04050
	1000 ±20	PSG04051
	2000 ±40	PSG04052
	3000 ±60	PSG04053
	5000 ±100	PSG04054

Dimensions : Millimetres

Important Notice : This data sheet and its contents (the "Information") belong to the members of the AVNET group of companies (the "Group") or are licensed to it. No licence is granted for the use of it other than for information purposes in connection with the products to which it relates. No licence of any intellectual property rights is granted. The Information is subject to change without notice and replaces all data sheets previously supplied. The Information supplied is believed to be accurate but the Group assumes no responsibility for its accuracy or completeness, any error in or omission from it or for any use made of it. Users of this data sheet should check for themselves the Information and the suitability of the products for their purpose and not make any assumptions based on information included or omitted. Liability for loss or damage resulting from any reliance on the Information or use of it (including liability resulting from negligence or where the Group was aware of the possibility of such loss or damage arising) is excluded. This will not operate to limit or restrict the Group's liability for death or personal injury resulting from its negligence. pro-SIGNAL is the registered trademark of Premier Farnell Limited 2019.

Newark.com/exclusive-brands
Farnell.com/exclusive-brands
Element14.com/exclusive-brands

