

## Adapter Metal Han 10A/16A D-Sub 25/37

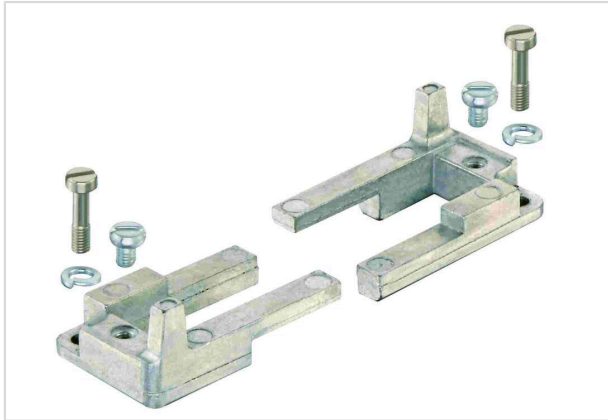


Image is for illustration purposes only. Please refer to product description.

Part number	09 20 000 9925
Specification	Adapter Metal Han 10A/16A D-Sub 25/37
HARTING eCatalogue	<a href="https://b2b.harting.com/09200009925">https://b2b.harting.com/09200009925</a>

### Identification

Category	Accessories
Type of accessory	Adapter plate
Description of the accessory	for 1 x D-Sub
Adapter for	D-Sub 3 in the Han <sup>®</sup> 10 A

### Version

Pack contents	Two-piece adapter 2 fixing screws for adapter 2 fixing screws for D-Sub connector
---------------	---

### Material properties

Material (accessories)	Metal
RoHS	compliant
ELV status	compliant
China RoHS	e
REACH Annex XVII substances	Not contained
REACH ANNEX XIV substances	Not contained
REACH SVHC substances	Not contained
California Proposition 65 substances	Yes
California Proposition 65 substances	Lead Nickel

### Commercial data

Packaging size	1
----------------	---



**Pushing Performance**  
Since 1945

## Commercial data

Net weight	10 g
Country of origin	Germany
European customs tariff number	85389099
GTIN	5713140038189
eCl@ss	27440201 Adapter plate industrial connectors