

Cross laser, green, 520 nm, 60 °, 5 mW

CB520-5-3(16x45)60-F500-C10000
Order Number: 70148213

Main Parameters (*)	min	typ	max	Unit
Wavelength		520		nm
Optical Output Power	4	5	7	mW
Operating Voltage	2.7	3	3.3	V DC
Operating Current	15	29	50	mA
Operating Temperature	-20		50	°C
Storage Temperature	-40		80	°C

Main Data

Warranty 1 years

Technical Parameters

Lifetime > 5,000 h
RoHS yes

Optical Parameters

Beam Shape	Cross
Laser Class	1M
Divergence	B - 0.3 mrad
Fan Angle	60 °
Line Thickness	<1mm@0.5m
Operating Distance	0.5 m
Optics	glass lens AR coated
Laser technology	Single Mode Diode
Focus	fixed (500mm)
Verticality	< ± 0.5 °

Electrical Parameters

Potential of Housing isolated
Power Supply LFNT-3

Mechanical Parameters

Size	Ø16x45 mm
Material	aluminium
Cable length	10,000 mm
Wire type	Ölflex 100 2x0.5mm
Output Aperture	6.8 mm
Housing Color	black
Weight	23.5 g
Stripping of wire	5 mm

(*) Over the complete operating temperature range

Features

- Low power consumption
- Operating Voltage 3 V DC
- Compact size
- Laser Class 1M
- Protection lens

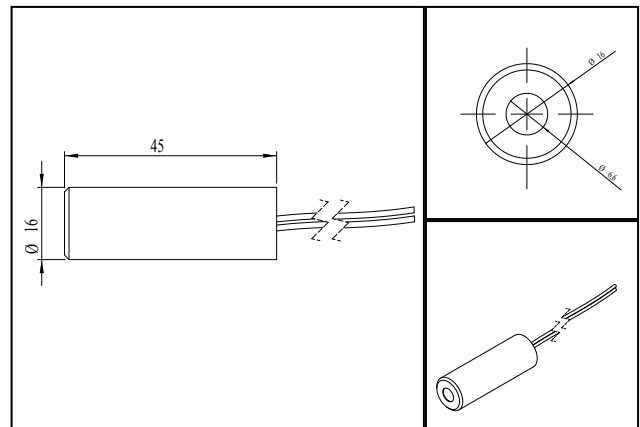
Picture



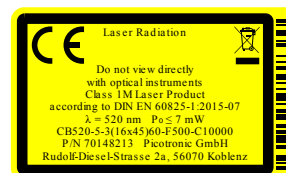
Cable color

Ground		black	GND
positive		red	2.7 - 3.3, typ 3 V DC

Drawing



Safety Label



Valid Revision

| 11-AUG-2021