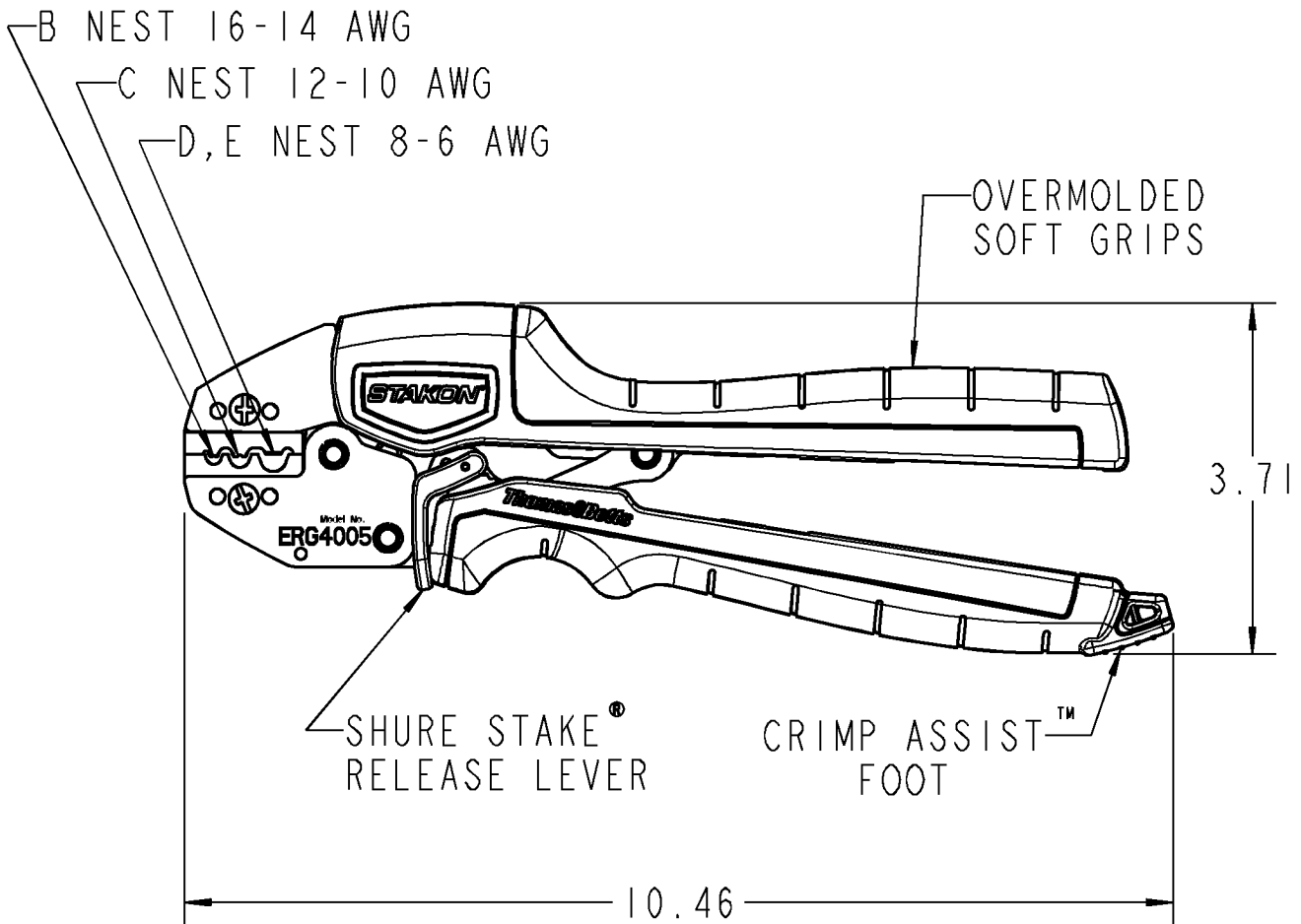


FOR INSTALLING STA-KON[®] NON-INSULATED TERMINALS,
DISCONNECTS, AND SPLICES ON COPPER WIRE,
16-6 AWG (8-6 AWG TUBULAR STYLE TERMINALS ONLY)



CAUTION: HANDLES NON-INSULATING,
DO NOT CRIMP ENERGIZED WIRES

<p>GENERAL NOTES</p>	<p>STAKON[®] Thomas & Betts <small>www.tnb.com</small></p>			
<p>1. ALL DIMENSIONS ARE FOR REFERENCE ONLY. 2. DIMENSIONS IN BRACKETS [] ARE IN METRIC UNITS.</p>	<p>DESCRIPTION ERG4005 COMFORT CRIMP[®] COMPRESSION TOOL WITH SHURE STAKE[®] MECHANISM</p>			
<p>REVISIONS</p>	<p>ORIGINAL PROJECT NO / (ERN NO) TD55632 / (2010868)</p>	<p>SHEET NO: 1 OF 1</p>	<p>REV. NO: -</p>	<p>DRAWING NO: WSD-000499</p>
<p>** SEE ERN (****) FOR APPROVAL SIGNATURES & RELEASE DATE. PROJECT NO: ****</p>				