

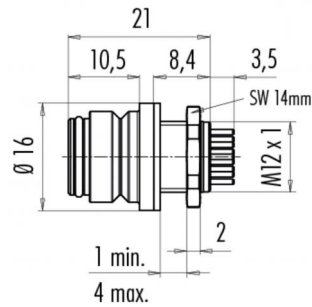
Product description **Contacts: 5, female panel mount connector, lightgrey, solder**

Area **Snap-in IP67, miniature Series 720 MED**  
Order number **99 9116 400 05**

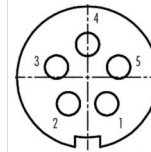
### Illustration



### Scale drawing



### Contact arrangement



|   | X     | Y     |
|---|-------|-------|
| 1 | 1,82  | -2,51 |
| 2 | -1,82 | -2,51 |
| 3 | -2,95 | 0,96  |
| 4 | 0,00  | 3,10  |
| 5 | 2,95  | 0,96  |

- 1 weiß/white
- 2 braun/brown
- 3 grün/green
- 4 gelb/yellow
- 5 grau/grey

**You can find the component part drawing and assembly instructions on the next page.**

## Technical data

### General values

|                          |                              |
|--------------------------|------------------------------|
| Connector design         | female panel mount connector |
| Connector locking system | snap                         |
| Termination              | solder                       |
| Wire gauge (mm)          | 0,75 mm <sup>2</sup>         |
| Wire gauge (AWG)         | 20                           |
| Upper limit temperature  | 80 °C                        |
| Lower limit temperature  | -25 °C                       |

### Electrical values

|                           |                      |
|---------------------------|----------------------|
| Rated current (40 °C)     | 5 A                  |
| Rated voltage             | 125 V                |
| Rated impulse voltage     | 1500 V               |
| Pollution degree          | 2                    |
| Overvoltage category      | II                   |
| Insulating material group | II                   |
| Volume resistivity        | ≤ 3 mΩ               |
| Insulation resistance     | ≥ 10 <sup>10</sup> Ω |
| EMC compliance            | not shielded         |
| Degree of protection      | IP67                 |
| Mechanical operation      | > 500 Mating cycles  |

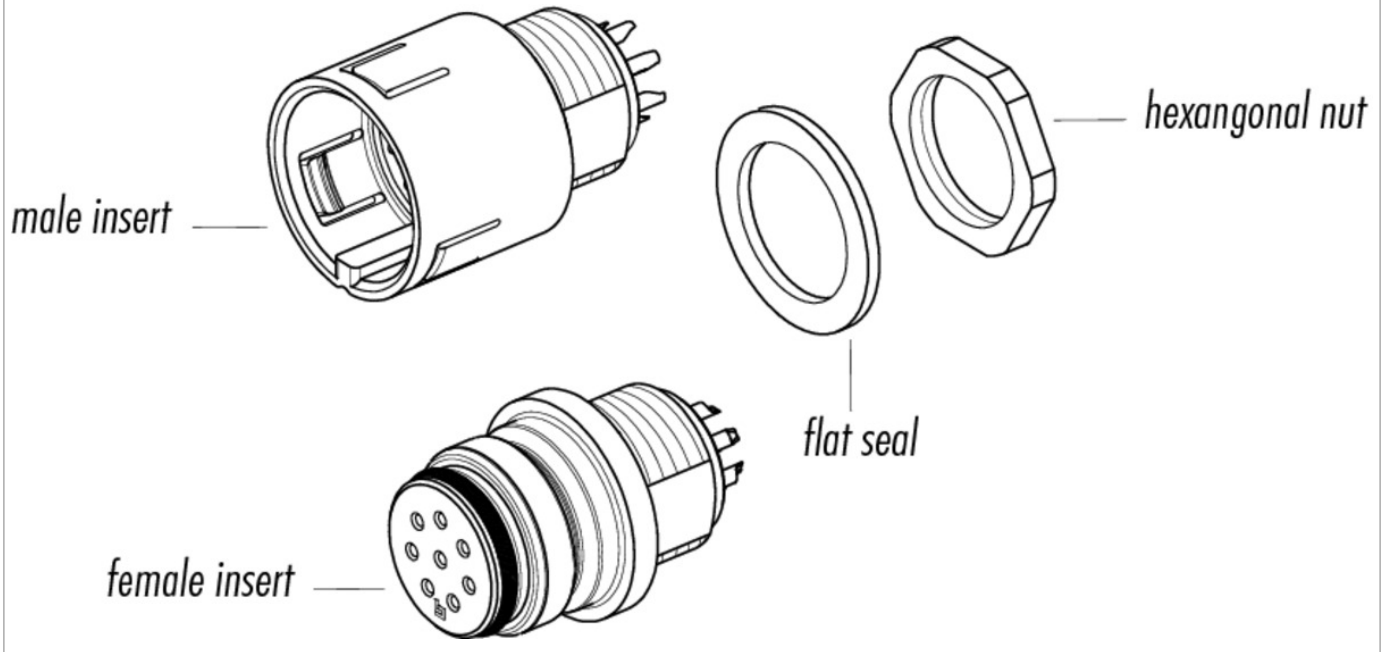
### Material

|                       |                |
|-----------------------|----------------|
| Contact material      | CuSn (bronze)  |
| Contact plating       | Au (gold)      |
| Contact body material | PA (UL 94 V-0) |
| Housing material      | PUR            |

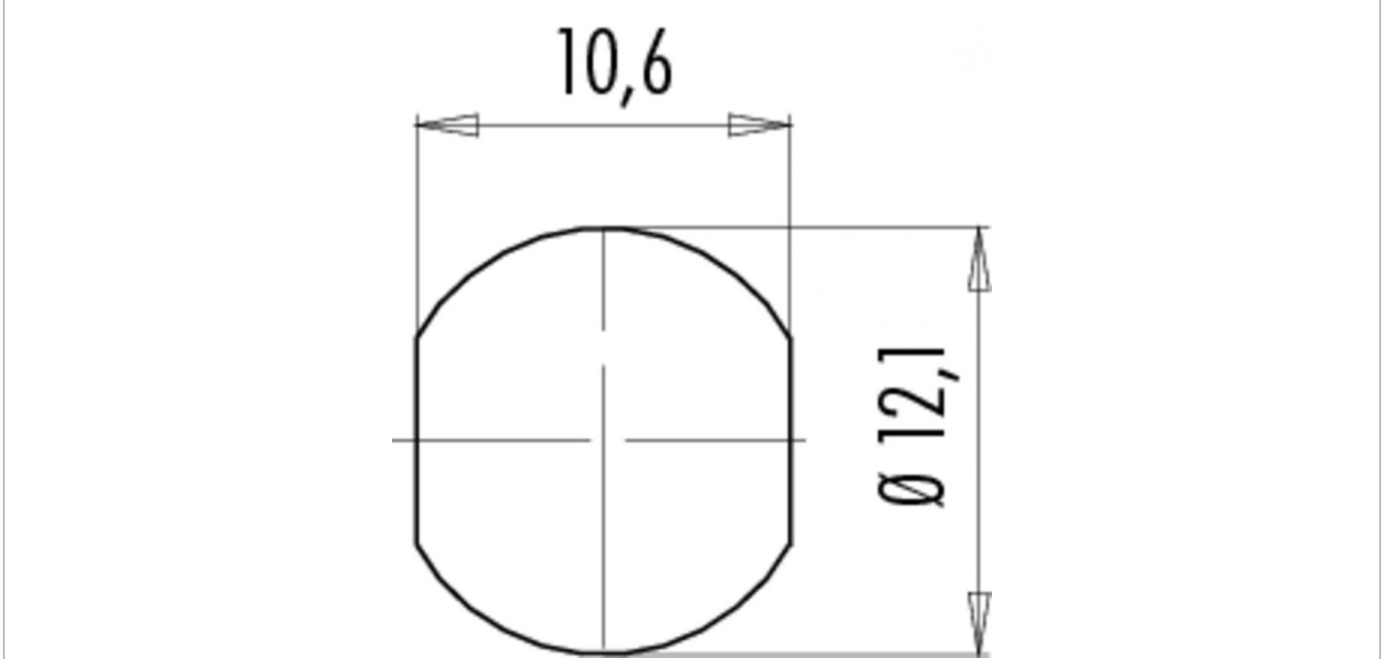
Product description      **Contacts: 5, female panel mount connector, lightgrey, solder**

Area                              **Snap-in IP67, miniature Series 720 MED**  
Order number                **99 9116 400 05**

Component part drawing



Assembly instructions / Panel cut-out



|                     |   |
|---------------------|---|
| Product description | <b>Contacts: 5, female panel mount connector, lightgrey, solder</b> |
| Area                | <b>Snap-in IP67, miniature Series 720 MED</b>                       |
| Order number        | <b>99 9116 400 05</b>   |

### Security notices

The connector must not be connected or separated under load. Non-observance and incorrect use can result in personal injury.

The connectors are designed for use in plant, control system and electrical equipment. The end user is responsible for checking whether the connectors are suitable for use in other applications.

Connectors with degree of protection IP 67 and IP 68 are not suitable for use under water. When used outdoors, the connectors must be separately protected against corrosion. For further information about IP degrees of protection refer to 'Technical support' in the Download Centre.