

Customer Information Sheet

DRAWING No.: M50-330XX42

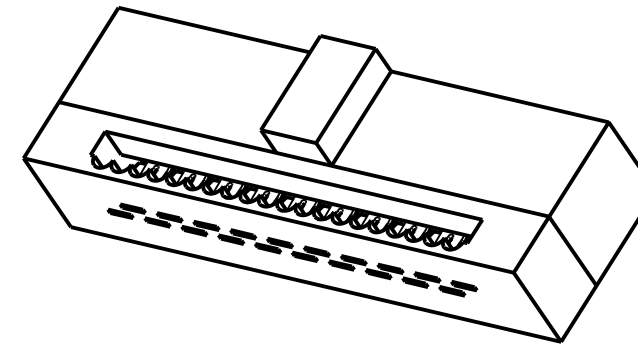
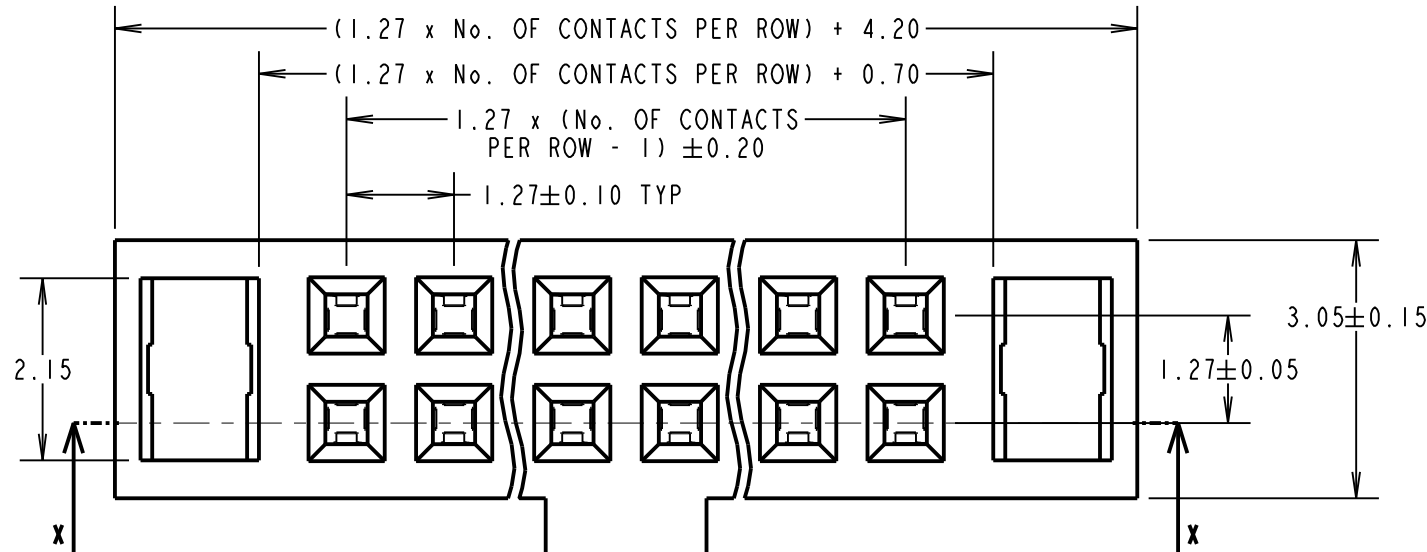
IF IN DOUBT - ASK

©

NOT TO SCALE

THIRD ANGLE PROJECTION

ALL DIMENSIONS IN mm



SPECIFICATIONS:

MATERIALS:
 MOULD & CAP= PBT, 30% G/F, UL94V-0
 CONTACT = PHOSPHOR BRONZE

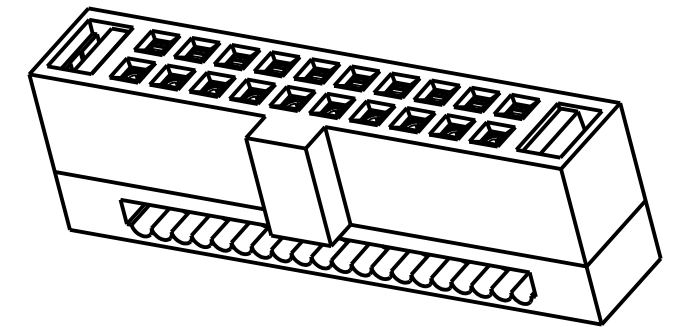
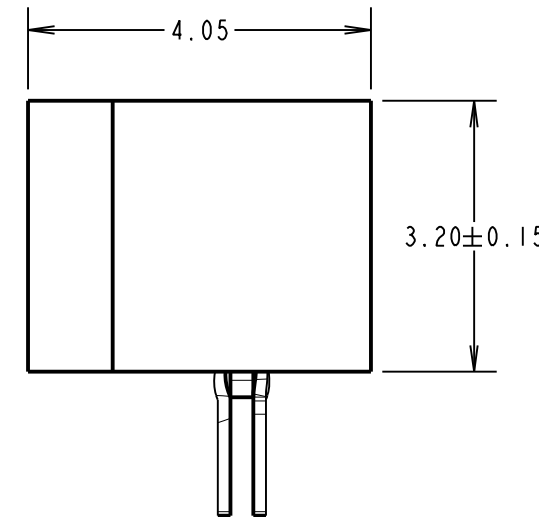
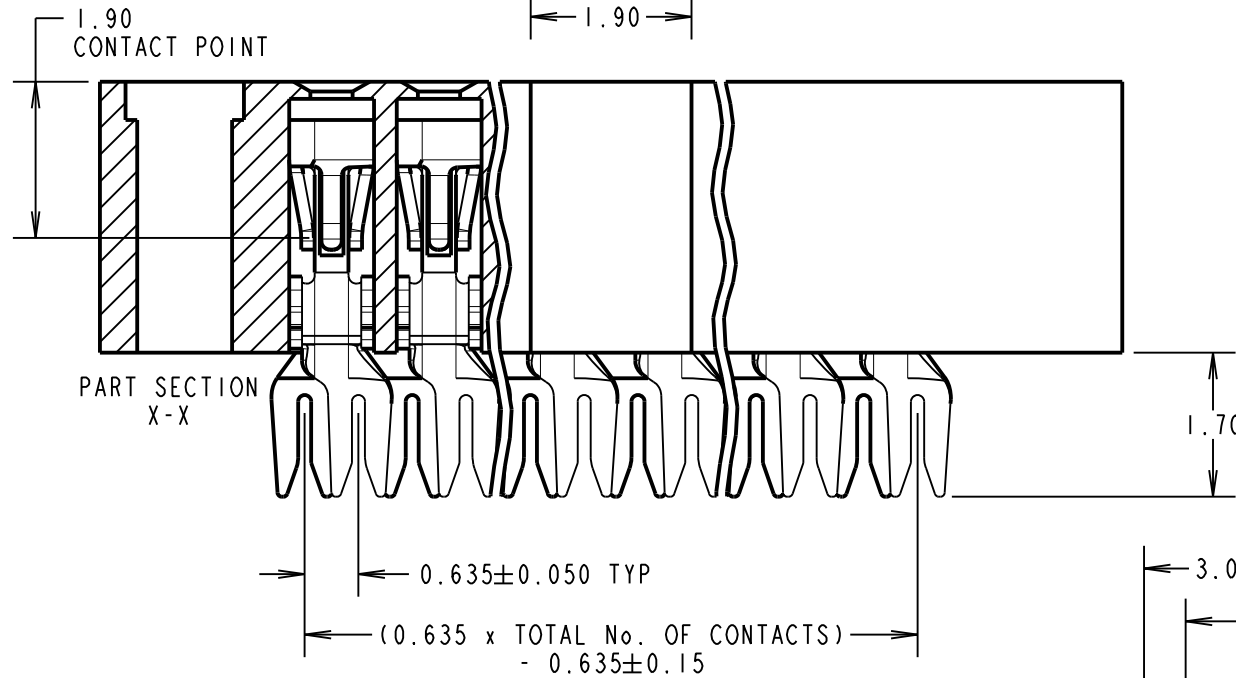
FINISH:
 42 = $0.015-0.02 \mu\text{m}$ GOLD ON CONTACTS,
 $2.54 \mu\text{m}$ 100% TIN ON TAILS,
 OVER $0.76-2.03 \mu\text{m}$ NICKEL

ELECTRICAL:
 RATED CURRENT = 1A
 CONTACT RESISTANCE = $20\text{m}\Omega$ MAX
 WITHSTAND VOLTAGE = 500V AC_{rms} FOR 1 MIN
 INSULATION RESISTANCE = $1000\text{M}\Omega$ MIN

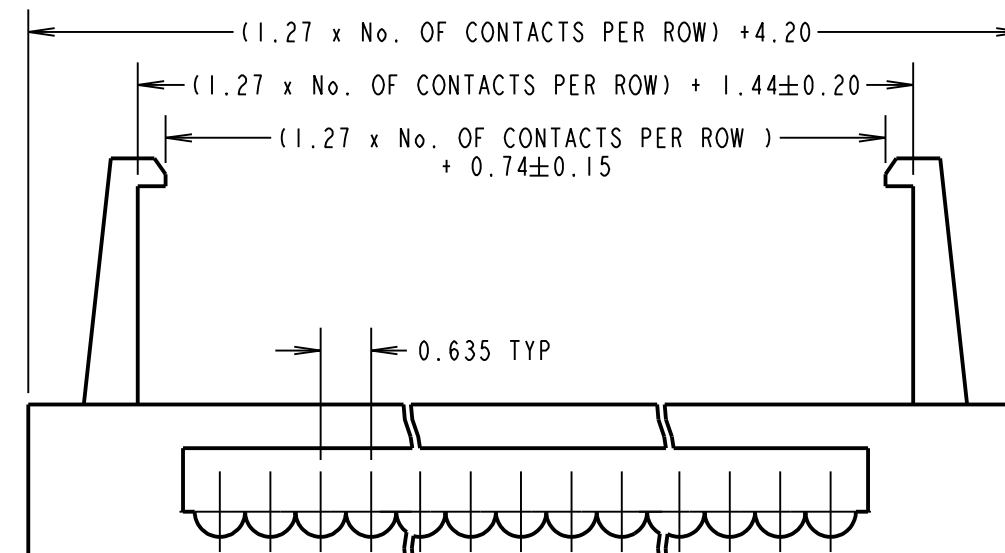
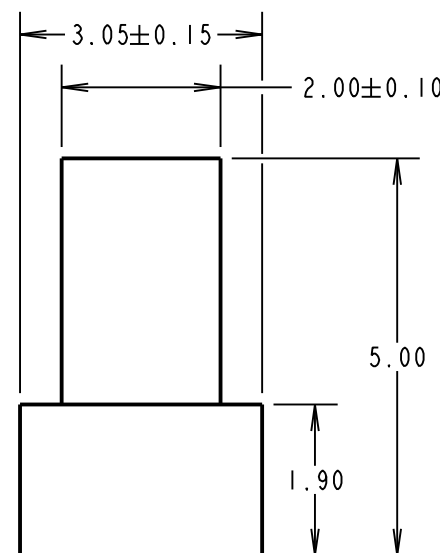
MECHANICAL:
 DURABILITY = 100 CYCLES MIN
 INSERTION FORCE = 1.0N MAX PER CONTACT
 WITHDRAWAL FORCE = 0.14N MIN PER CONTACT

ENVIRONMENTAL:
 OPERATING TEMPERATURE = -40°C TO $+105^\circ\text{C}$

PACKING:
 TUBE
 FOR COMPLETE SPECIFICATION, SEE COMPONENT SPECIFICATION C029XX (LATEST ISSUE)



- NOTES:**
- ALL TOLERANCES ARE ± 0.25 UNLESS OTHERWISE STATED.
 - CONNECTOR IS RoHS AND REACH COMPLIANT.
 - CONNECTOR IS TO BE USED WITH 30AWG WIRE.



MGP	9	01.07.21	30628
NAME	ISS.	DATE	CN/CO
APPROVED: MGP			
CHECKED: RA			
DRAWN: R. ADDE			
CUSTOMER REF.:			
ASSEMBLY DRG:			

ORDER CODE: M50-330XX42

No. OF CONTACTS PER ROW:
 05, 06, 07, 08, 10,
 13, 17, 20, 25

FINISH:
 SELECTIVE GOLD, TIN

HARWIN

www.harwin.com
 technical@harwin.com

THIS DRAWING AND ANY INFORMATION OR DESCRIPTIVE MATTER SET OUT HEREON ARE CONFIDENTIAL AND COPYRIGHT PROPERTY OF THE HARWIN GROUP AND MUST NOT BE DISCLOSED, LOANED, COPIED OR USED FOR MANUFACTURING, TENDERING OR FOR ANY OTHER PURPOSE WITHOUT THEIR WRITTEN PERMISSION.

TOLERANCES
 $X = \pm 1\text{mm}$
 $X.X = \pm 0.50\text{mm}$
 $X.XX = \pm 0.20\text{mm}$
 $X.XXX = \pm 0.01\text{mm}$
 ANGLES = $\pm 5^\circ$
 UNLESS STATED

MATERIAL:
 SEE ABOVE
FINISH: SEE ABOVE
S/AREA: mm²

TITLE:
 1.27mm DIL IDC
 RIBBON CABLE CONNECTOR

DRAWING NUMBER:
M50-330XX42

SHT
 2 OF 2