

F-Series

Single Pole Toggle Switches

General purpose workhorses with options tailored to meet most any need. Ratings to 20A 277VAC, various actuator, bushing, termination, and circuit choices allow this versatile switch to easily integrate into a variety of different applications. The F-Series has a storied history in the Marine, Food Service, Generator, Industrial Control, and Office Automation markets and is appropriate for usage in low voltage DC applications as well.



Carling Technologies®

Innovative Designs. Powerful Solutions.

INNOVATIVE DESIGNS. POWERFUL SOLUTIONS.

Carling Technologies, Inc.
60 Johnson Avenue • Plainville, CT 06062-1177
Phone: (860) 793-9281 • Fax: (860) 793-9231
Email: sales@carlingtech.com • www.carlingtech.com

Dielectric Strength

1000V - live to dead metal parts

Electrical Life

50,000 cycles - maintained
25,000 cycles - momentary

Mechanical Life

100,000 cycles

Operating Temperature

0°F to 150°F (-17.8°C to +65.6°C)

2FA54 - 73 / TABS

¹
Base Part Number

²
Actuator
Style

³
Tab Terminals

1 BASE PART NUMBER: SERIES/CIRCUITRY/RATING/TERMINATION¹

	Solder Lug	.250 Tab QC	Screw Terminals
On-None-Off	2FA53	2FA53-.../TABS	2FA54
(On)-None-Off	6FA53	6FA53-.../TABS	6FA54
On-None-(Off)	6FA57	6FA57-.../TABS	6FA58
On-None-On	2FB53	2FB53-.../TABS	2FB54
On-None-(On)	6FB53	6FB53-.../TABS	6FB54
On-Off-On	2FC53	2FC53-.../TABS	2FC54
On-Off-(On)	6FC57	6FC57-.../TABS	6FC58
(On-Off-(On))	6FC53	6FC53-.../TABS	6FC54

Additional ratings up to 20A 125VAC, 12A 250VAC, 1HP 120-240 VAC available. Consult factory for specifics.

2 ACTUATOR STYLE

BAT STYLE TOGGLE²

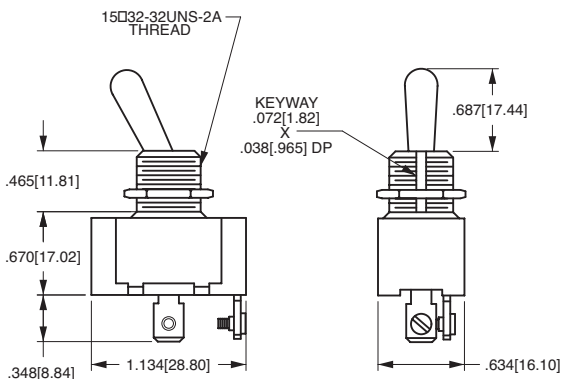
unsealed	sealed	toggle length	bushing length
73	78	0.687	0.465
E3	E8	2.000	0.465

3 TAB TERMINALS

/TABS Tab Terminals
(blank) Leave blank if tab terminals not required.

Notes:

- Consult factory for .187 tab, wire lead and combination screw/tab/solder lug termination callouts.
 - Additional toggle options are available. Consult factory.
- () indicates momentary function.



*Manufacturer reserves the right to change product specification without prior notice.