



Main

| | |
|---------------------------|-------------------|
| Range of product | Zelio Relay |
| Product or component type | Solid state relay |
| Device short name | SSLM |
| Network number of phases | 1 phase |

Complementary

| | |
|---------------------------------|--|
| Mounting support | Symmetrical DIN rail |
| [In] rated current | 3 A |
| Output voltage | 5...60 V DC |
| Control circuit voltage | 4...28 V DC |
| Contacts type and configuration | 1 NO |
| Tightening torque | 0.6...0.8 N.m |
| Connections - terminals | Screw terminals : 1 x 0.2...1 x 5.26 mm ² (AWG 24...AWG 10) |
| Switching voltage | 4 V DC turn-on |
| Load current | 0...3 A |
| Voltage drop | 1 V on-state |
| Leakage current | <= 0.001 mA off-state |
| Response time | 50 µs turn-on 100 µs turn-off |
| Overvoltage category | III |
| Width | 7.5 mm |
| Height | 80 mm |
| Depth | 63 mm |
| Product weight | 0.03 kg |

Environment

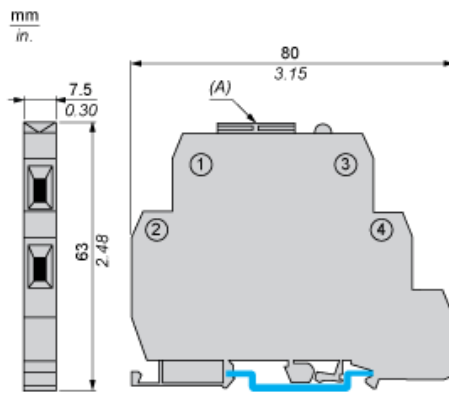
| | |
|---------------------|-------------------------|
| Dielectric strength | 4000 V for input/output |
|---------------------|-------------------------|

| | |
|---------------------------------------|---|
| Pollution degree | 2 |
| Standards | EN 60947-4-3 CSA C22.2 No 14 UL 508 |
| Product certifications | CSA UL EAC |
| Marking | UL CSA CE EAC |
| IP degree of protection | IP20 |
| Ambient air temperature for operation | 0...70 °C |

Offer Sustainability

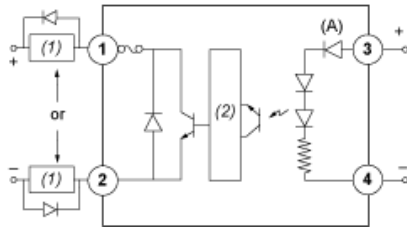
| | |
|----------------------------------|---|
| Sustainable offer status | Green Premium product |
| RoHS (date code: YYWW) | Compliant - since 1522 - Schneider Electric declaration of conformity Schneider Electric declaration of conformity |
| REACH | Reference not containing SVHC above the threshold Reference not containing SVHC above the threshold |
| Product environmental profile | Available Product environmental |
| Product end of life instructions | Available End of life manual |

Dimensions



(A) Fuse Holder

Wiring Diagram



- 1,2 : Field VDC (Supply through Load)
- 3, 4 : Vcc
- (1) Load
- (2) Amplifier
- (A) LED