

Ty-Rap®

NOTES:

1. MATERIAL: NDT SERIES- NYLON, COLOR BLUE
PDT SERIES- POLYPROPYLENE, COLOR BLUE
2. FLAMMABILITY: NDT SERIES- UL94V-2
PDT SERIES- UL94 HB
3. OPERATING TEMPERATURE RANGE: -40°F [-40°C] TO 185°F [85°C]
4. MAXIMUM WIRE BUNDLE: SEE TABLE
5. DETECTABLE USING METAL DETECTION AND X-RAY DETECTION SYSTEMS
6. POLYPROPYLENE PARTS ARE ALSO BUOYANT FOR LIQUID APPLICATIONS

CATALOG NUMBER	FIG.	MAX. WIRE BUNDLE DIA	TENSILE STRENGTH	A	B	C	D	F	G
TY523M-NDT	1	.625 [15,88]	18 LBS [80N]	3.437 [87,3]	.188 [4,78]	.036 [,91]	.153 [3,89]	.185 [4,7]	.092 [2,34]
TY525M-NDT	1	1.750 [44,45]	50 LBS [222N]	7.015 [178,18]	.296 [7,52]	.048 [1,22]	.220 [5,59]	.315 [8,0]	.186 [4,72]
TY527M-NDT	2	3.500 [88,9]	120 LBS [534N]	13.172 [334,57]	.328 [8,33]	.060 [1,52]	.320 [8,13]	.479 [12,17]	.270 [6,86]
TY528M-NDT	2	4.000 [101,6]	50 LBS [222N]	13.921 [353,6]	.266 [6,76]	.047 [1,19]	.215 [5,46]	.323 [8,2]	.184 [4,67]
TY523M-PDT	1	.625 [15,88]	18 LBS [80N]	3.437 [87,3]	.188 [4,78]	.036 [,91]	.153 [3,89]	.185 [4,7]	.092 [2,34]
TY525M-PDT	1	1.750 [44,45]	30 LBS [133N]	7.015 [178,18]	.296 [7,52]	.048 [1,22]	.220 [5,59]	.315 [8,0]	.186 [4,72]
TY527M-PDT	2	3.500 [88,9]	60 LBS [267N]	13.172 [334,57]	.328 [8,33]	.060 [1,52]	.320 [8,13]	.479 [12,17]	.270 [6,86]
TY528M-PDT	2	4.000 [101,6]	30 LBS [133N]	13.921 [353,6]	.266 [6,76]	.047 [1,19]	.215 [5,46]	.323 [8,2]	.184 [4,67]

GENERAL NOTES

1. ALL DIMENSIONS ARE FOR REFERENCE ONLY.
2. DIMENSIONS IN BRACKETS [] ARE IN METRIC UNITS.

Thomas & Betts
www.tnb.com

DESCRIPTION:

DETECTABLE CABLE TIE

REVISIONS

1. SEE ERN 2007887 FOR APPROVAL SIGNATURES & RELEASE DATE.
PROJECT NO: FM401183

ORIGINAL PROJECT NO / (ERN NO)

FD55682 / (2006747)

SHEET NO:

1 OF 2

REV. NO:

1

DRAWING NO:

WSD-000276

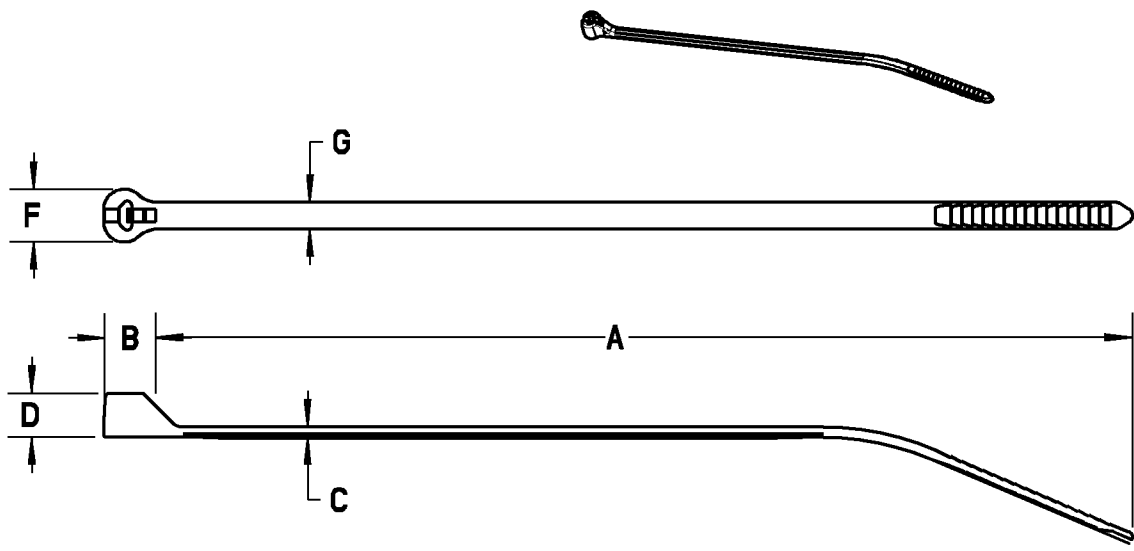


FIG. 1

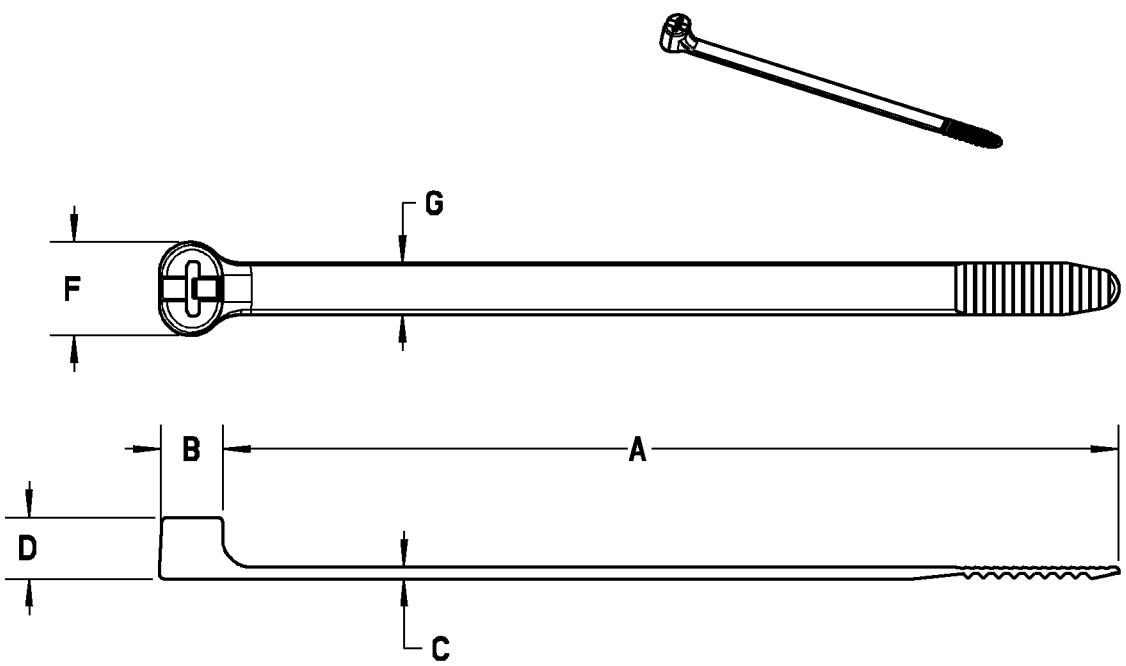


FIG. 2

Thomas & Betts
www.tnb.com

DESCRIPTION:

DETECTABLE CABLE TIE

SHEET NO:
2 OF 2

REV. NO:
1

DRAWING NO:
WSD-000276