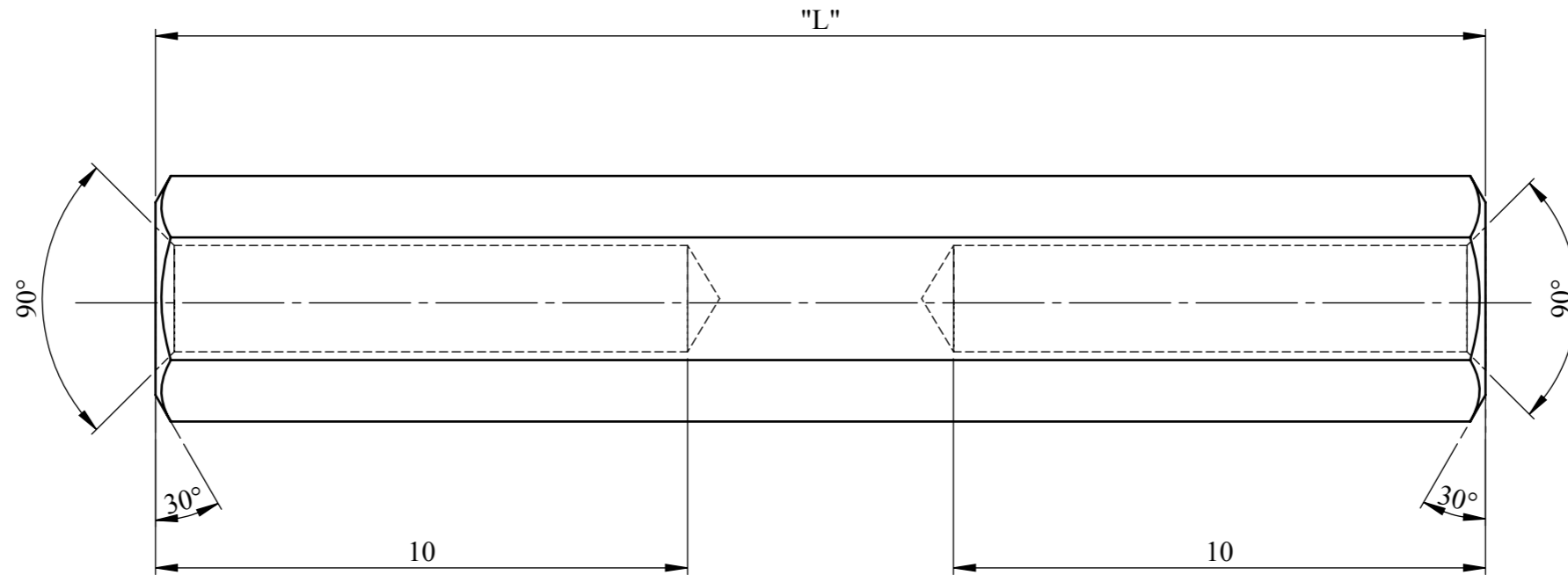
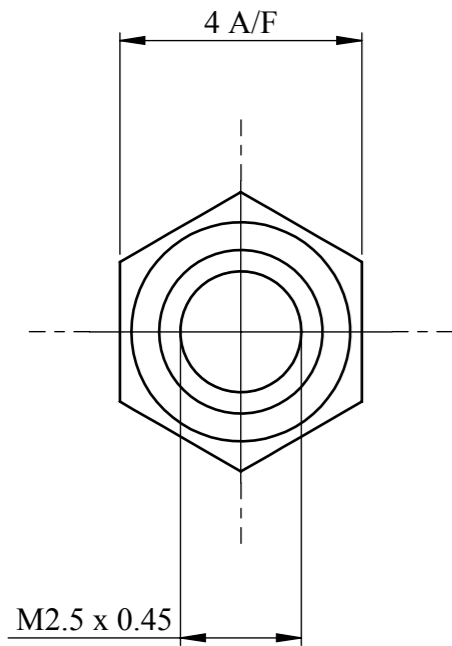


DEBUR AND BREAK SHARP EDGES

DO NOT SCALE DRAWING

REVISION



THREAD SIZE	"L"	PART NUMBER
M2.5 x 0.45	25	FAHSBFFM2.5-25-4
	30	FAHSBFFM2.5-30-4

A DRAWN - 04/12/15

NOTES



DESIGN RIGHT. TR FASTENINGS LTD, 2003
 UNDER NO CIRCUMSTANCES MUST THIS
 DRAWING BE COPIED OR DISCLOSED,
 WITHOUT FIRST OBTAINING WRITTEN
 AUTHORITY.

UNLESS OTHERWISE SPECIFIED:
 DIMENSIONS ARE IN MILLIMETERS
 SURFACE FINISH:
 TOLERANCES:

ISO 2768 m	
NAME	DATE
DRAWN MARTIN ELLIOTT	04/12/15
CHK'D	
APPVD	

DRG FILE No
 FAHSBFFM2.5-XX-4-1

MATERIAL:
 BRASS - CuZn39Pb3

HEAT TREATMENT
 N/A

FINISH:
 NICKEL PLATED E2E

TITLE:
 M2.5 HEXAGON SPACER F/F

DWG NO.
 FAHSBFFM2.5-XX-4

A3