

# Amphenol

D-Sub Series Connectors  
D-Sub 03 Rev 08-19

# Amphenol

## D-SUB CONNECTORS

The image is a promotional collage for Amphenol D-sub connectors. On the left, several D-sub connectors are displayed against a background of a globe and circuitry. The connectors are shown in various sizes and colors, including gold and black. On the right, a vertical strip of four images illustrates the connectors' applications: a commercial airplane, a fighter jet, a satellite, and a tank.

# Amphenol

# Introduction

Amphenol M2000 Series D-Sub Connectors are MIL Qualified & listed in QPL & meets the requirement of MIL-DTL-24308.

M2000 Series D-Sub Connectors are subminiature rack & panel type with polarized shell & having pin/socket machined contacts which provide high reliability & density for the connectors. They are used in variety of applications due to it's versatile design where weight & dimensions are constraint factor.

#### Applications:

- Military
- Information System
- Aerospace
- Communication System
- Industrial

Content	Page
Introduction	1
Technical Characteristics	2
Ordering Information	3
Receptacle & Plug Assembly Exploded View	4
Insert Arrangement	5
PCB Layout For Standard D-Sub Connector (09 To 50)	6
PCB Layout For High Density D-Sub Connector (15 To 104)	7
Panel Cut Out	8-9
Receptacle Crimp Type Connector & Approved Part No. List	10-33
Plug Crimp Type Connector & Approved Part No. List	34 - 56
Socket & Pin Contact Information (Crimp Type)	57-58
D-Sub Crimping & IR Tool	59 - 60
Receptacle Connector With Solder Cup Socket Contact & Approved Part No. List	61 - 65
Plug Connector With Solder Cup Pin Contact & Approved Part No. List	66 - 70
Receptacle Connector With Straight PC Tail Socket Contact & Approved Part No. List	71 - 80
Plug Connector With Straight PC Tail Pin Contact & Approved Part No. List	81 - 90
Receptacle Connector With Right Angle PC Tail Socket Contact & Approved Part No. List	91 - 100
Plug Connector With Right Angle PC Tail Pin Contact & Approved Part No. List	101 - 110
<b>Special Products</b>	
Solder Type Standard D-Sub Connector (Environmental)	112
Standard D-Sub Grommet Type Connector	113
Straight PC Tail D-Sub Connector	114 - 119
Standard D-Sub Right Angle PC Tail Connector	120 - 121
Standard D-Sub Right Angle PC Tail Contact with Extra Length Connector	122
High Density D-Sub Right Angle PC Tail Connector	123 - 124
D-Sub Strain Relief Backshell	125
Female & Male Screw Lock Assembly	126 - 127
Dust Cover	128
Gasket for D-Sub Connectors	129

Characteristics		Standard	High Density
Material	Shell	Steel/Brass	Steel/Brass
	Insulator	Glass-Filled Polyester UL 94-0 (Natural Colour)	Glass-Filled Polyester UL 94-0 (Natural Colour)
	Contact	Copper Alloy	Copper Alloy
Finish	Shell	Cadmium/Zinc/Nickel/Zinc Nickel/Gold	Cadmium/Zinc/Nickel/Zinc Nickel/Gold
	Contact	Gold Plating	Gold Plating
Electrical	Contact Rating	7.5A Max.	5.0A Max.
	Test Voltage–Max	1000 Vrms	1000 Vrms
	Insulation Resistance	≥ 5000 M Ohm	≥ 5000 M Ohm
	Contact Resistance	7.3 m Ohm	12 m Ohm
Mechanical	Insertion/Removal Force	4 lb Max.	4 lb Max.
	Durability	500 Cycle	500 Cycle
	Wire Gauge	AWG 20-26	AWG 22-28
Environmental	Temperature	- 55°C to + 125°C	- 55°C to + 125°C
	Salt Spray	48 Hrs.	48 Hrs.
	Damp Heat	10 Days	10 Days

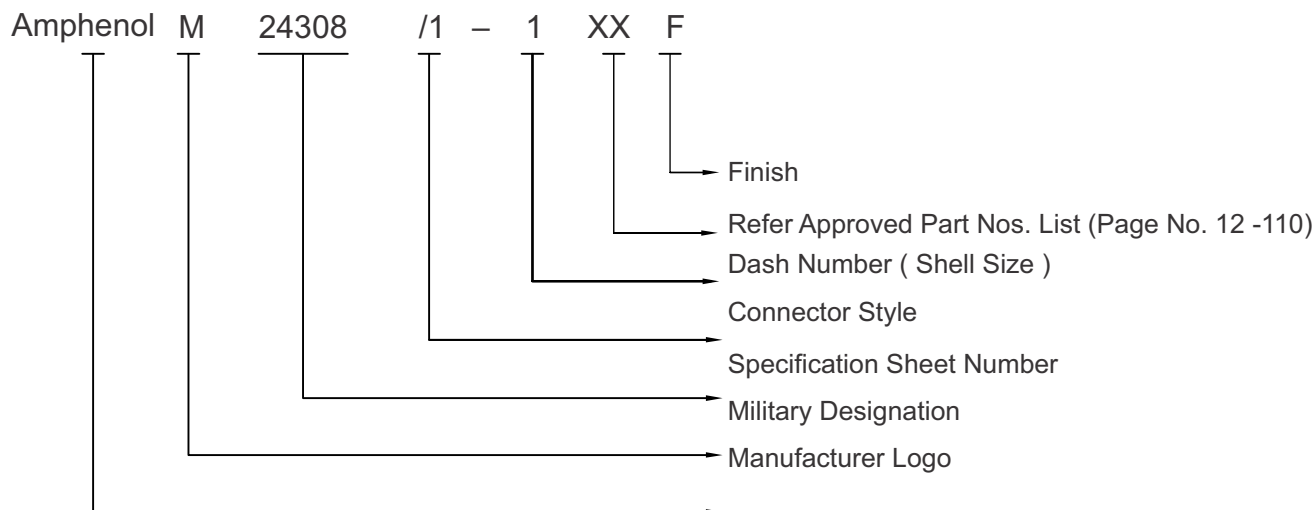
NOTES : FOR CONNECTOR WITH DAP INSERT PLEASE CONTACT FACTORY.



### Scope :

These connector covers the requirements for non-environmental, polarized shell, miniature, rack and panel connectors having pin and socket, crimp (removable), solder (non-removable) contacts with rigid or float mounting, designed for -55°C to +125°C operating temperature.

### Ordering Information :



### Connector Style :

- 1 - Socket Solder Cup Connector
- 2 - Socket Crimp Type Connector
- 3 - Plug Solder Cup Connector
- 4 - Plug Crimp Type Connector
- 5 - Socket Solder Cup Connector (With Non-magnetic Shell)
- 6 - Socket Crimp Type Connector (With Non-magnetic Shell)
- 7 - Plug Solder Cup Connector (With Non-magnetic Shell)
- 8 - Plug Crimp Type Connector (With Non-magnetic Shell)
  
- 23 - Socket Straight/Right Angle PC Tail Connector
- 24 - Plug Straight/Right Angle PC Tail Connector

### Shell Size :

Shell Size	Insert Layout	
	Std.	HD
1	09	15
2	15	26
3	25	44
4	37	62
5	50	78
6	-	104

### XX :

Refer Approved Part Number List. (Page Nos. 12 to 110)

### Finish :

#### For Class G (Magnetic)

- F - Cadmium Yellow Passivation
- Z - Zinc Yellow Passivation
- K - Zinc Nickel Black Finish

#### For Class N (Non-magnetic)

- F - Cadmium Yellow Passivation
- Z - Zinc Yellow Passivation

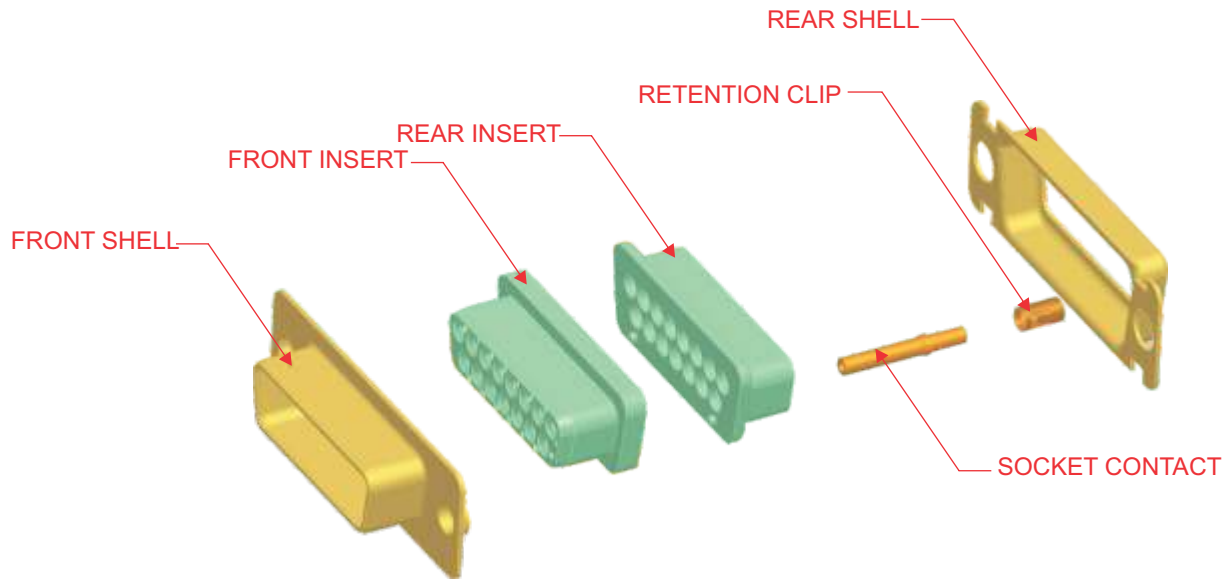
#### For Class D (Magnetic)

Class D Connectors Have A Electroless Nickel  
No Suffix Is Required

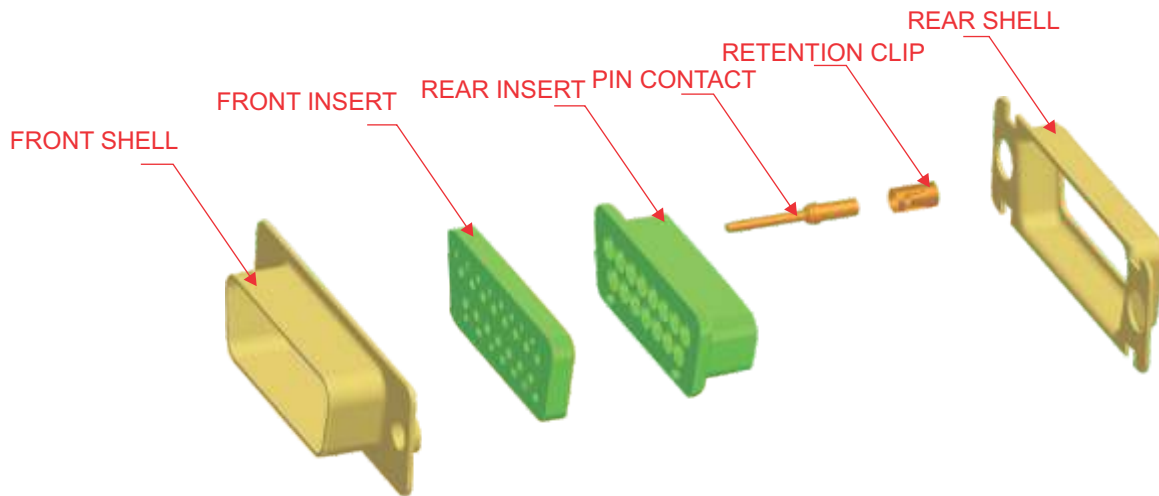
#### For Class M (Non- Magnetic Space Application)

Class M Connectors Have Gold Finish  
No Suffix Is Required

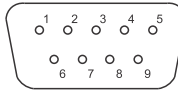
# R eceptacle Assembly Exploded View (Crimp Type)



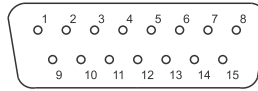
# P lug Assembly Exploded View (Crimp Type)



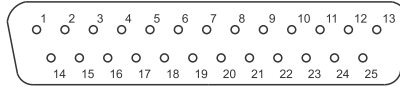
# Insert Arrangement For Standard D-Sub Connectors



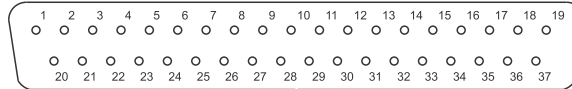
9 positions



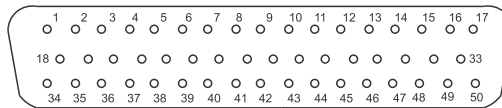
15 positions



25 positions

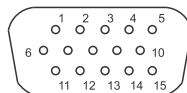


37 positions

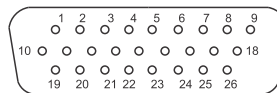


50 positions

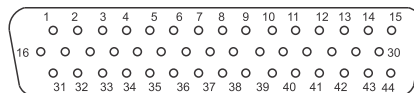
# Insert Arrangement For High Density D-Sub Connectors



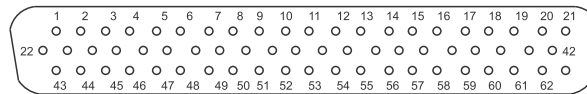
15 positions



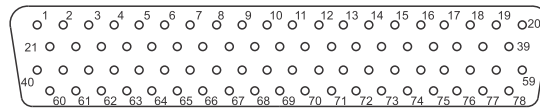
26 positions



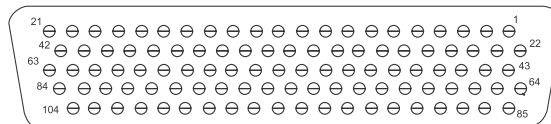
44 positions



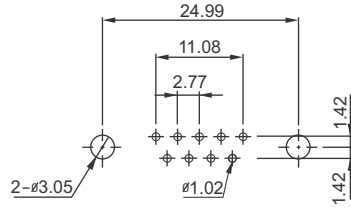
62 positions



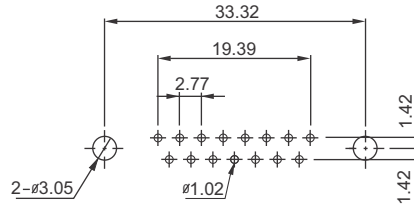
78 positions



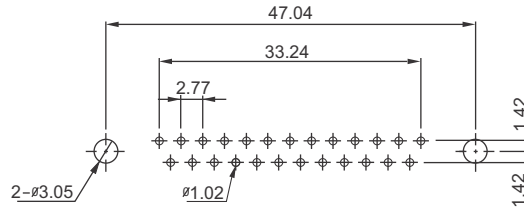
DD 104



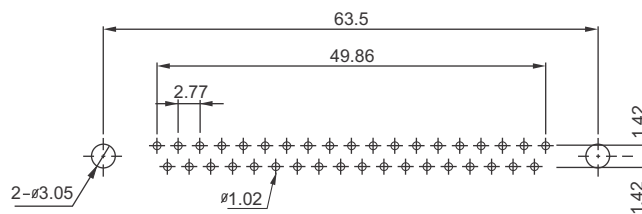
9 positions



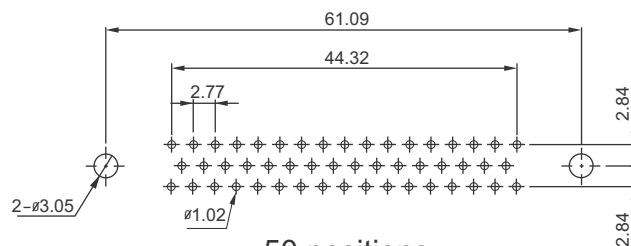
15 positions



25 positions



37 positions

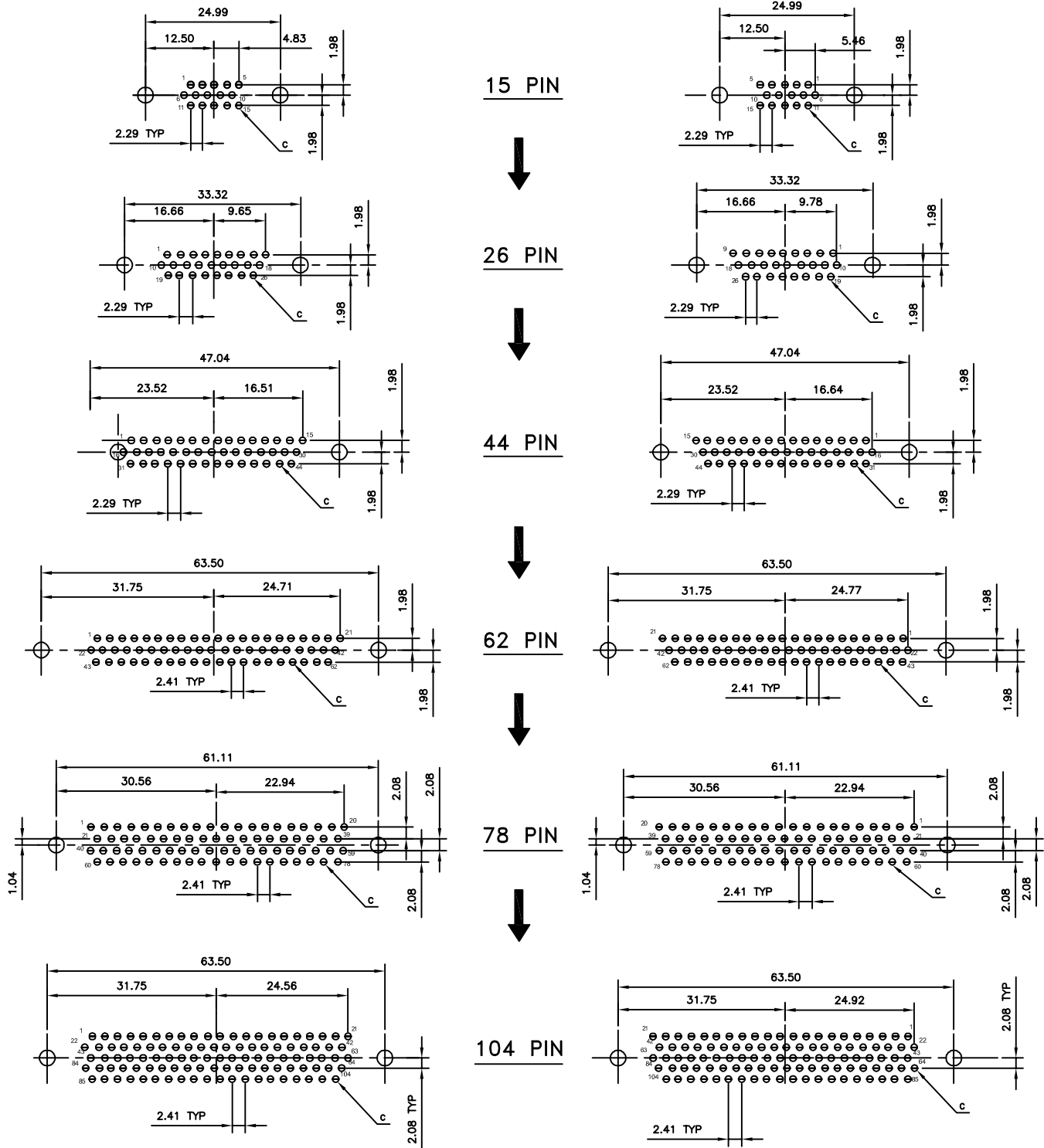


50 positions

Mount Connector With Mating Face Positioned To Direction Of Arrow

## MALE

## FEMALE

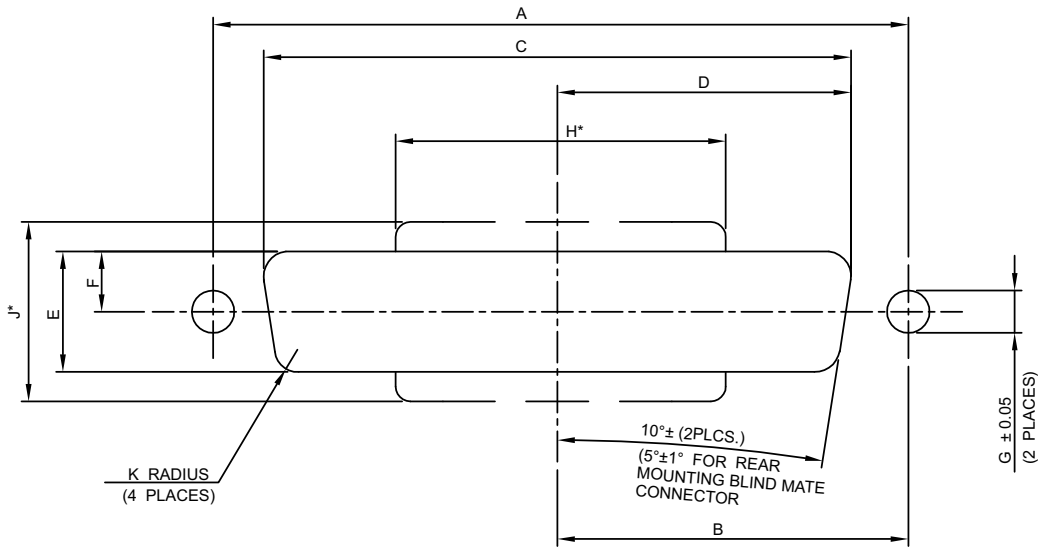


1. C -  $\varnothing$ 0.89 HOLE FOR CONTACT TERMINATION POSITION  
 2. MOUNT CONNECTOR WITH MATING FACE POSITIONED TO DIRECTION OF ARROW



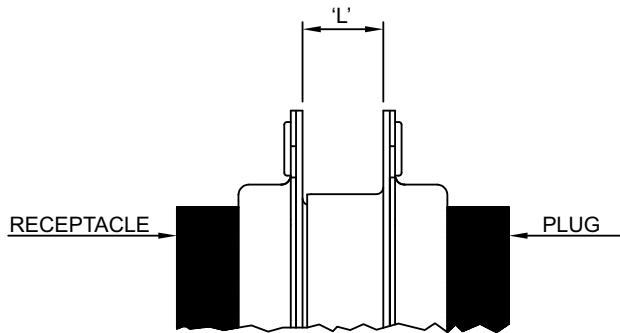
## PANEL CUT OUT:

1.D-Sub Connectors Are Designed For Rack And Panel Applications. Before Making The Panel Cut Out, Determine The Number Of Pins In The Connector And Whether The Connector Has Floating Bushing, Then Using The Clearance Dimensions Provided In Above Figure, Determine Whether You Are Going To Front Or Back Mount The Connector. Now Make A Cut Out In The Panel Using The Dimension Shown In The Dimension Table.



### NOTES:

- 1.\* PANEL CUT OUT CONFIGURATION WITH THESE DIMENSIONS PROVIDES CLEARANCE FOR MOUNTING CONNECTORS WITH CABLE CLAMP ASSEMBLIES.
2. WHEN FRONT MOUNTING MIL-DTL-24308 CONNECTOR UTILIZING THE TAB METHOD OF SECURING SHELL HALVES, IT IS RECOMMENDED TO UTILIZE A 0.81MM THICK WASHER (NOT SUPPLIED) TO PREVENT DEFORMATION OF THE CONNECTOR FLANGE.



### PLUG-RECEPATCLE MATING

SHELL SIZE	DIMENSION 'L' MM(INCHES)
1,2	6.35-7.11 (.250-.280)
3,4,5,6	6.12-6.88 (.241_.271)

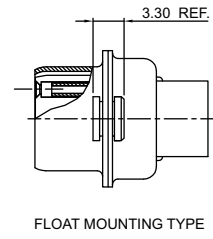
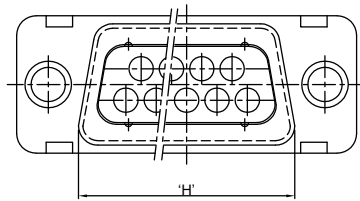
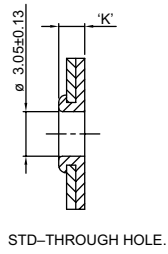
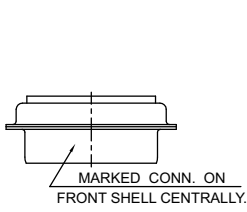
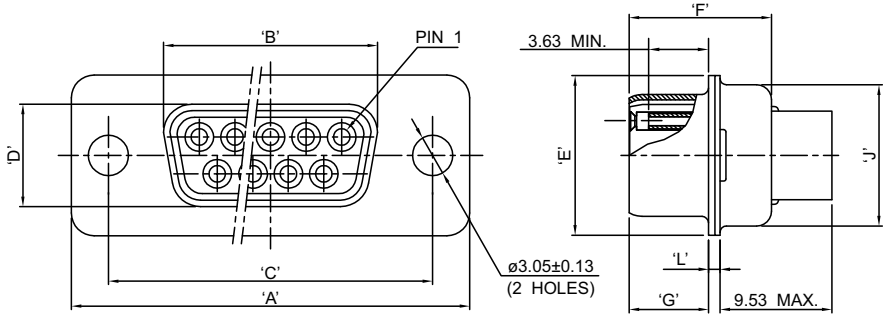
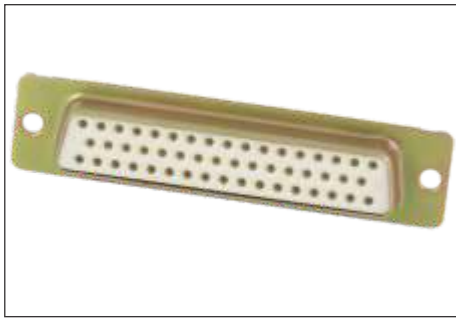
### NOTE :

- 1.THE 'L' DIMENSION IS NECESSARY FOR FULL MATING OF CONNECTOR HALVES (FLANGE). THE DIMENSION MUST BE TAKEN INTO CONSIDERATION WHEN DETERMINING THE METHOD OF MOUNTING, PANEL THICKNESS ETC.

Dimension Table :

SHELL SIZE	NO. OF PINS		MOUNTING METHOD		DIMENSIONS IN MM(INCHES)									
	STD.	HIGH	FRONT OR REAR PANEL	WITH OR WITHOUT FLOATING BUSHING	A	B	C	D	E	F	G	H*	J*	K
1	09	15	FRONT	WITH	24.99 (0.984)	12.50 (0.492)	23.01 (.906)	11.51 (.453)	13.84 (.545)	6.93 (.273)	2.24 (.088)	-	-	2.11 (0.083)
				WITHOUT			22.20 (.874)	11.10 (.437)	13.03 (.513)	6.53 (.257)	3.05 (.120)	-	-	
			REAR	WITH			21.29 (.838)	10.64 (.419)	12.22 (.481)	6.12 (.241)	2.24 (.088)	8.43 (.332)	16.81 (.662)	3.35 (.132)
				WITHOUT			20.47 (.806)	10.24 (.403)	11.40 (.449)	5.72 (.225)	3.05 (.120)	7.62 (.033)	16.00 (.630)	
2	15	26	FRONT	WITH	33.32 (1.312)	16.66 (0.656)	31.34 (1.234)	15.67 (.617)	13.84 (.545)	6.93 (.273)	2.24 (.088)	-	-	2.11 (0.083)
				WITHOUT			30.53 (1.202)	15.27 (.601)	13.03 (.513)	6.53 (.257)	3.05 (.120)	-	-	
			REAR	WITH			29.62 (1.166)	14.81 (.583)	12.22 (.481)	6.12 (.241)	2.24 (.088)	16.89 (.665)	16.81 (.662)	3.35 (.132)
				WITHOUT			28.80 (1.134)	14.40 (.567)	11.40 (.449)	5.72 (.225)	3.05 (.120)	15.82 (.623)	16.00 (.630)	
3	25	44	FRONT	WITH	47.04 (1.842)	23.52 (0.926)	45.09 (1.775)	22.55 (.888)	13.84 (.545)	6.93 (.273)	2.24 (.088)	-	-	2.11 (0.083)
				WITHOUT			44.27 (1.743)	22.15 (.872)	13.03 (.513)	6.53 (.257)	3.05 (.120)	-	-	
			REAR	WITH			43.33 (1.706)	21.67 (.853)	12.22 (.481)	6.12 (.241)	2.24 (.088)	30.04 (1.197)	16.81 (.662)	3.35 (.132)
				WITHOUT			42.52 (1.674)	21.26 (.837)	11.40 (.449)	5.72 (.225)	3.05 (.120)	29.59 (1.165)	16.00 (.630)	
4	37	62	FRONT	WITH	63.50 (2.500)	31.75 (1.250)	61.17 (2.423)	30.78 (1.212)	13.84 (.545)	6.93 (.273)	2.24 (.088)	-	-	2.11 (0.083)
				WITHOUT			60.73 (2.391)	30.38 (1.196)	13.03 (.513)	6.53 (.257)	3.05 (.120)	-	-	
			REAR	WITH			59.79 (2.354)	29.90 (1.177)	12.22 (.481)	6.12 (.241)	2.24 (.088)	46.86 (1.845)	16.81 (.662)	3.35 (.132)
				WITHOUT			59.08 (2.326)	29.54 (1.163)	11.40 (.449)	5.72 (.225)	3.05 (.120)	46.05 (1.813)	16.00 (.630)	
5	50	78	FRONT	WITH	61.11 (2.406)	30.56 (1.203)	59.16 (2.326)	29.59 (1.165)	16.64 (.655)	8.33 (.328)	2.24 (.088)	-	-	2.11 (0.083)
				WITHOUT			58.34 (2.297)	29.18 (1.149)	15.82 (.623)	7.92 (.312)	3.05 (.120)	-	-	
			REAR	WITH			57.15 (2.250)	28.58 (1.125)	14.91 (.587)	7.47 (.294)	2.24 (.088)	44.20 (1.740)	19.61 (.772)	3.35 (.132)
				WITHOUT			56.34 (2.218)	28.17 (1.109)	14.10 (.555)	7.06 (.278)	3.05 (.120)	43.38 (1.708)	18.80 (.740)	
6	-	104	FRONT	WITH	63.50 (2.500)	31.75 (1.205)	62.31 (2.453)	31.17 (1.227)	18.21 (.717)	9.12 (.359)	2.24 (.088)	-	-	2.11 (0.083)
				WITHOUT			61.49 (2.421)	30.76 (1.211)	17.40 (.685)	8.71 (.343)	3.05 (.120)	-	-	
			REAR	WITH			60.66 (2.388)	30.33 (1.194)	16.61 (.654)	8.31 (.327)	2.24 (.088)	47.64 (1.875)	21.21 (.835)	3.35 (.132)
				WITHOUT			59.84 (2.356)	29.92 (1.179)	15.79 (.622)	7.90 (.311)	3.05 (.120)	46.81 (1.843)	20.40 (.803)	

# Standard Density Crimp Type - Socket Connector

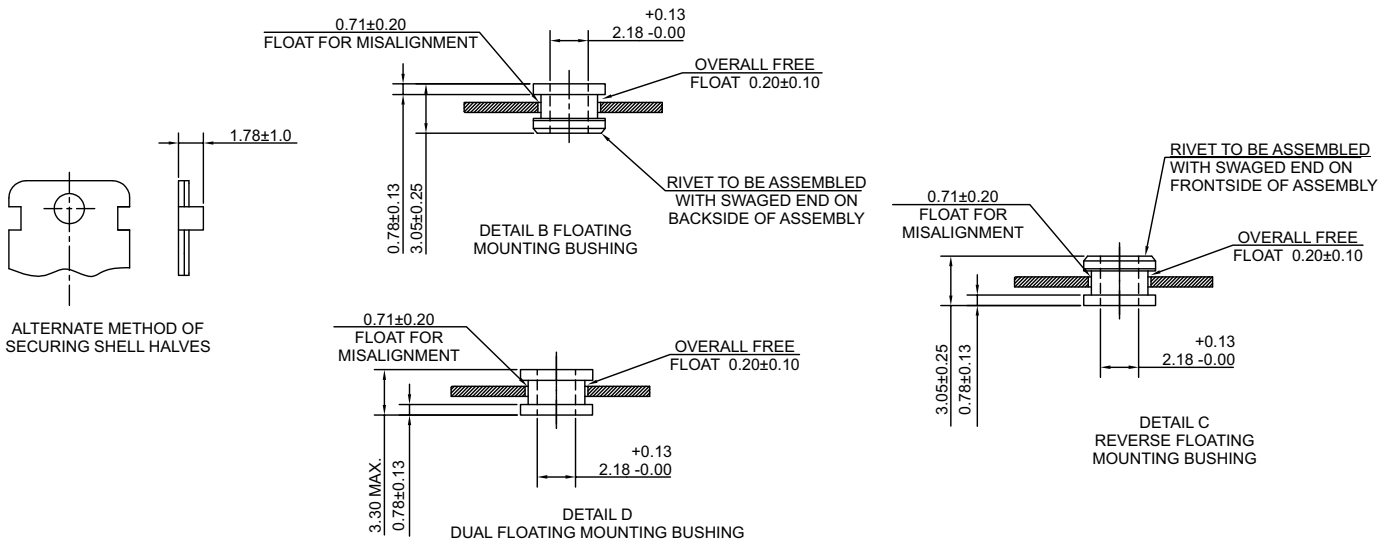


DIMENSION TABLE :

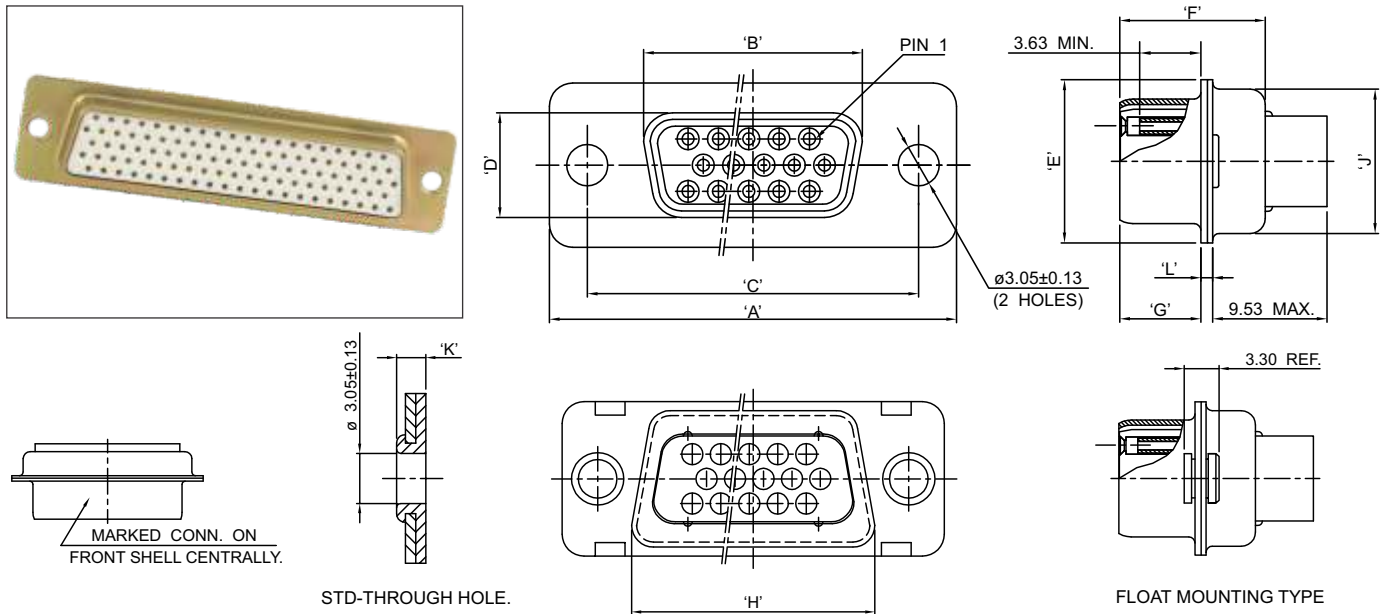
SHELL SIZE	STANDARD DENSITY NO. OF PINS	'A'	'B'	'C'	'D'	'E'	'F'	'G'	'H'	'J'	'K'	'L'
		31.19	16.46	25.12					19.53			1.02
2	15	38.76	24.54	33.20					27.25			0.51
		39.52	24.79	33.45					27.76			1.02
3	25	52.65	38.25	46.91	7.67	12.17	10.64	6.05	41.02	10.46	0.89	0.74
		53.42	38.51	47.17	8.03	12.93	11.15	6.30	41.53	10.97	1.52	1.25
4	37	68.94	54.71	63.37					57.45			0.74
		69.70	54.97	63.63					57.96			1.25
5	50	66.55	52.30	60.99	10.62	14.99			55.07	13.31		0.74
		67.31	52.55	61.24	10.87	15.75			55.58	13.82		1.25

NOTE:

1. CONTACT SHOWS ONLY FOR REFERENCE



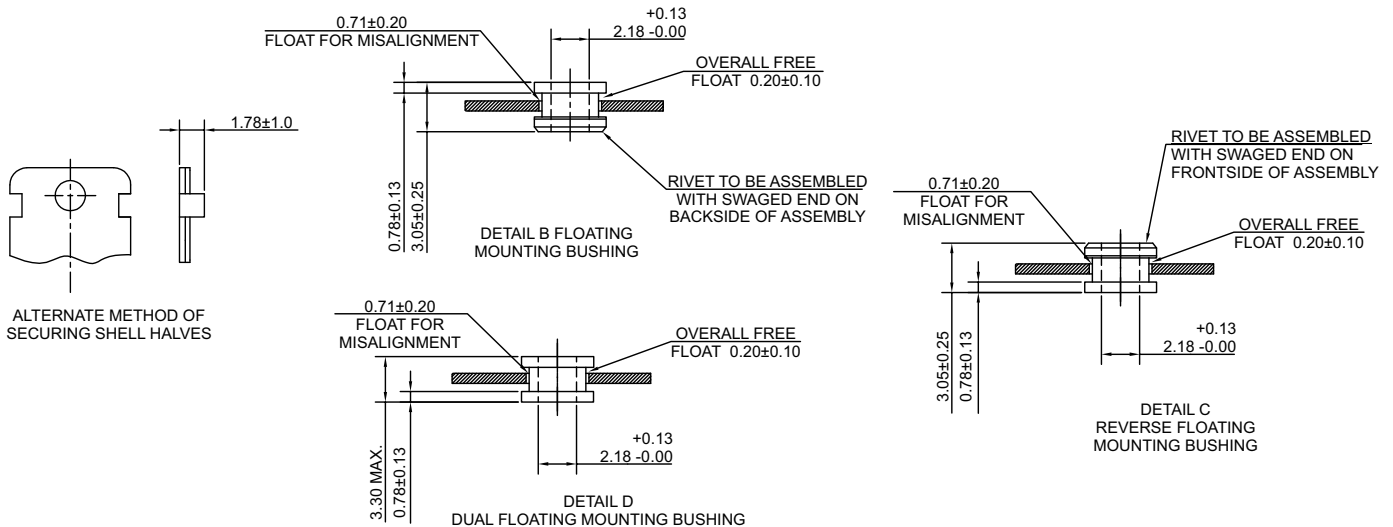
## D-SUB SOCKET CONNECTOR ASSEMBLY WITH CRIMP SOCKET CONTACT (15 TO 104 PIN)



DIMENSION TABLE:

SHELL SIZE	HIGH DENSITY NO. OF PINS	'A'	'B'	'C'	'D'	'E'	'F'	'G'	'H'	'J'	'K'	'L'
		1	15	30.43 31.19	16.21 16.46	24.87 25.12					19.02 19.53	
2	26	38.76 39.52	24.54 24.79	33.20 33.45					27.25 27.76			0.51 1.02
3	44	52.65 53.42	38.25 38.51	46.91 47.17	7.67 8.03	12.17 12.93	10.64 11.15	6.05 6.30	41.02 41.53	10.46 10.97	0.89 1.52	0.74 1.25
4	62	68.94 69.70	54.71 54.97	63.37 63.63					57.45 57.96			0.74 1.25
5	78	66.55 67.31	52.30 52.55	60.99 61.24	10.62 10.87	14.99 15.75			55.07 55.58	13.31 13.82		0.74 1.25
6	104	68.94 69.70	55.47 55.73	63.37 63.63	12.19 12.45	16.59 17.35			58.22 58.72	14.88 15.39		0.74 1.25

NOTE: 1. CONTACT SHOWS ONLY FOR REFERENCE





# Approved Part List QPL Crimp Socket Connector (With Magnetic Shell)

Sr. No.	Military Designation	Manufacturers Designation	Type	No. of Pins	Crimp Contact	I R Tool	Marking On The Connector
1	M24308/2-1F	M2000/2-1F	Standard	9	✓	✘	M24308/2-1F
2	M24308/2-2F	M2000/2-2F	Standard	15	✓	✘	M24308/2-2F
3	M24308/2-3F	M2000/2-3F	Standard	25	✓	✘	M24308/2-3F
4	M24308/2-4F	M2000/2-4F	Standard	37	✓	✘	M24308/2-4F
5	M24308/2-5F	M2000/2-5F	Standard	50	✓	✘	M24308/2-5F
6	M24308/2-6F	M2000/2-6F	Standard	9	✓	✓	M24308/2-1F
7	M24308/2-7F	M2000/2-7F	Standard	15	✓	✓	M24308/2-2F
8	M24308/2-8F	M2000/2-8F	Standard	25	✓	✓	M24308/2-3F
9	M24308/2-9F	M2000/2-9F	Standard	37	✓	✓	M24308/2-4F
10	M24308/2-10F	M2000/2-10F	Standard	50	✓	✓	M24308/2-5F
11	M24308/2-281F	M2000/2-281F	Standard	9	✘	✘	M24308/2-1F
12	M24308/2-282F	M2000/2-282F	Standard	15	✘	✘	M24308/2-2F
13	M24308/2-283F	M2000/2-283F	Standard	25	✘	✘	M24308/2-3F
14	M24308/2-284F	M2000/2-284F	Standard	37	✘	✘	M24308/2-4F
15	M24308/2-285F	M2000/2-285F	Standard	50	✘	✘	M24308/2-5F
16	M24308/2-11F	M2000/2-11F	High Density	15	✓	✘	M24308/2-11F
17	M24308/2-12F	M2000/2-12F	High Density	26	✓	✘	M24308/2-12F
18	M24308/2-13F	M2000/2-13F	High Density	44	✓	✘	M24308/2-13F
19	M24308/2-14F	M2000/2-14F	High Density	62	✓	✘	M24308/2-14F
20	M24308/2-15F	M2000/2-15F	High Density	78	✓	✘	M24308/2-15F
21	M24308/2-16F	M2000/2-16F	High Density	104	✓	✘	M24308/2-16F
22	M24308/2-17F	M2000/2-17F	High Density	15	✓	✓	M24308/2-11F
23	M24308/2-18F	M2000/2-18F	High Density	26	✓	✓	M24308/2-12F
24	M24308/2-19F	M2000/2-19F	High Density	44	✓	✓	M24308/2-13F
25	M24308/2-20F	M2000/2-20F	High Density	62	✓	✓	M24308/2-14F
26	M24308/2-21F	M2000/2-21F	High Density	78	✓	✓	M24308/2-15F
27	M24308/2-22F	M2000/2-22F	High Density	104	✓	✓	M24308/2-16F
28	M24308/2-286F	M2000/2-286F	High Density	15	✘	✘	M24308/2-11F
29	M24308/2-287F	M2000/2-287F	High Density	26	✘	✘	M24308/2-12F
30	M24308/2-288F	M2000/2-288F	High Density	44	✘	✘	M24308/2-13F
31	M24308/2-289F	M2000/2-289F	High Density	62	✘	✘	M24308/2-14F
32	M24308/2-290F	M2000/2-290F	High Density	78	✘	✘	M24308/2-15F
33	M24308/2-291F	M2000/2-291F	High Density	104	✘	✘	M24308/2-16F

✓ – Included with connector  
✘ – Not included with connector

Sr. No.	Military Designation	Manufacturers Designation	Type	No. of Pins	Crimp Contact	I R Tool	Marking On The Connector
34	M24308/2-1Z	M2000/2-1Z	Standard	9	✓	✗	M24308/2-1Z
35	M24308/2-2Z	M2000/2-2Z	Standard	15	✓	✗	M24308/2-2Z
36	M24308/2-3Z	M2000/2-3Z	Standard	25	✓	✗	M24308/2-3Z
37	M24308/2-4Z	M2000/2-4Z	Standard	37	✓	✗	M24308/2-4Z
38	M24308/2-5Z	M2000/2-5Z	Standard	50	✓	✗	M24308/2-5Z
39	M24308/2-6Z	M2000/2-6Z	Standard	9	✓	✓	M24308/2-1Z
40	M24308/2-7Z	M2000/2-7Z	Standard	15	✓	✓	M24308/2-2Z
41	M24308/2-8Z	M2000/2-8Z	Standard	25	✓	✓	M24308/2-3Z
42	M24308/2-9Z	M2000/2-9Z	Standard	37	✓	✓	M24308/2-4Z
43	M24308/2-10Z	M2000/2-10Z	Standard	50	✓	✓	M24308/2-5Z
44	M24308/2-281Z	M2000/2-281Z	Standard	9	✗	✗	M24308/2-1Z
45	M24308/2-282Z	M2000/2-282Z	Standard	15	✗	✗	M24308/2-2Z
46	M24308/2-283Z	M2000/2-283Z	Standard	25	✗	✗	M24308/2-3Z
47	M24308/2-284Z	M2000/2-284Z	Standard	37	✗	✗	M24308/2-4Z
48	M24308/2-285Z	M2000/2-285Z	Standard	50	✗	✗	M24308/2-5Z
49	M24308/2-11Z	M2000/2-11Z	High Density	15	✓	✗	M24308/2-11Z
50	M24308/2-12Z	M2000/2-12Z	High Density	26	✓	✗	M24308/2-12Z
51	M24308/2-13Z	M2000/2-13Z	High Density	44	✓	✗	M24308/2-13Z
52	M24308/2-14Z	M2000/2-14Z	High Density	62	✓	✗	M24308/2-14Z
53	M24308/2-15Z	M2000/2-15Z	High Density	78	✓	✗	M24308/2-15Z
54	M24308/2-16Z	M2000/2-16Z	High Density	104	✓	✗	M24308/2-16Z
55	M24308/2-17Z	M2000/2-17Z	High Density	15	✓	✓	M24308/2-11Z
56	M24308/2-18Z	M2000/2-18Z	High Density	26	✓	✓	M24308/2-12Z
57	M24308/2-19Z	M2000/2-19Z	High Density	44	✓	✓	M24308/2-13Z
58	M24308/2-20Z	M2000/2-20Z	High Density	62	✓	✓	M24308/2-14Z
59	M24308/2-21Z	M2000/2-21Z	High Density	78	✓	✓	M24308/2-15Z
60	M24308/2-22Z	M2000/2-22Z	High Density	104	✓	✓	M24308/2-16Z
61	M24308/2-286Z	M2000/2-286Z	High Density	15	✗	✗	M24308/2-11Z
62	M24308/2-287Z	M2000/2-287Z	High Density	26	✗	✗	M24308/2-12Z
63	M24308/2-288Z	M2000/2-288Z	High Density	44	✗	✗	M24308/2-13Z
64	M24308/2-289Z	M2000/2-289Z	High Density	62	✗	✗	M24308/2-14Z
65	M24308/2-290Z	M2000/2-290Z	High Density	78	✗	✗	M24308/2-15Z
66	M24308/2-291Z	M2000/2-291Z	High Density	104	✗	✗	M24308/2-16Z

✓ – Included with connector

✗ – Not included with connector

Sr. No.	Military Designation	Manufacturers Designation	Type	No. of Pins	Crimp Contact	I R Tool	Marking On The Connector
67	M24308/2-1K	M2000/2-1K	Standard	9	✓	✗	M24308/2-1K
68	M24308/2-2K	M2000/2-2K	Standard	15	✓	✗	M24308/2-2K
69	M24308/2-3K	M2000/2-3K	Standard	25	✓	✗	M24308/2-3K
70	M24308/2-4K	M2000/2-4K	Standard	37	✓	✗	M24308/2-4K
71	M24308/2-5K	M2000/2-5K	Standard	50	✓	✗	M24308/2-5K
72	M24308/2-6K	M2000/2-6K	Standard	9	✓	✓	M24308/2-1K
73	M24308/2-7K	M2000/2-7K	Standard	15	✓	✓	M24308/2-2K
74	M24308/2-8K	M2000/2-8K	Standard	25	✓	✓	M24308/2-3K
75	M24308/2-9K	M2000/2-9K	Standard	37	✓	✓	M24308/2-4K
76	M24308/2-10K	M2000/2-10K	Standard	50	✓	✓	M24308/2-5K
77	M24308/2-281K	M2000/2-281K	Standard	9	✗	✗	M24308/2-1K
78	M24308/2-282K	M2000/2-282K	Standard	15	✗	✗	M24308/2-2K
79	M24308/2-283K	M2000/2-283K	Standard	25	✗	✗	M24308/2-3K
80	M24308/2-284K	M2000/2-284K	Standard	37	✗	✗	M24308/2-4K
81	M24308/2-285K	M2000/2-285K	Standard	50	✗	✗	M24308/2-5K
82	M24308/2-11K	M2000/2-11K	High Density	15	✓	✗	M24308/2-11K
83	M24308/2-12K	M2000/2-12K	High Density	26	✓	✗	M24308/2-12K
84	M24308/2-13K	M2000/2-13K	High Density	44	✓	✗	M24308/2-13K
85	M24308/2-14K	M2000/2-14K	High Density	62	✓	✗	M24308/2-14K
86	M24308/2-15K	M2000/2-15K	High Density	78	✓	✗	M24308/2-15K
87	M24308/2-16K	M2000/2-16K	High Density	104	✓	✗	M24308/2-16K
88	M24308/2-17K	M2000/2-17K	High Density	15	✓	✓	M24308/2-11K
89	M24308/2-18K	M2000/2-18K	High Density	26	✓	✓	M24308/2-12K
90	M24308/2-19K	M2000/2-19K	High Density	44	✓	✓	M24308/2-13K
91	M24308/2-20K	M2000/2-20K	High Density	62	✓	✓	M24308/2-14K
92	M24308/2-21K	M2000/2-21K	High Density	78	✓	✓	M24308/2-15K
93	M24308/2-22K	M2000/2-22K	High Density	104	✓	✓	M24308/2-16K
94	M24308/2-286K	M2000/2-286K	High Density	15	✗	✗	M24308/2-11K
95	M24308/2-287K	M2000/2-287K	High Density	26	✗	✗	M24308/2-12K
96	M24308/2-288K	M2000/2-288K	High Density	44	✗	✗	M24308/2-13K
97	M24308/2-289K	M2000/2-289K	High Density	62	✗	✗	M24308/2-14K
98	M24308/2-290K	M2000/2-290K	High Density	78	✗	✗	M24308/2-15K
99	M24308/2-291K	M2000/2-291K	High Density	104	✗	✗	M24308/2-16K

✓ – Included with connector

✗ – Not included with connector

Sr. No.	Military Designation	Manufacturers Designation	Type	No. of Pins	Crimp Contact	I R Tool	Marking On The Connector
100	M24308/2-516	M2000/2-516	Standard	9	✓	✗	M24308/2-516
101	M24308/2-517	M2000/2-517	Standard	15	✓	✗	M24308/2-517
102	M24308/2-518	M2000/2-518	Standard	25	✓	✗	M24308/2-518
103	M24308/2-519	M2000/2-519	Standard	37	✓	✗	M24308/2-519
104	M24308/2-520	M2000/2-520	Standard	50	✓	✗	M24308/2-520
105	M24308/2-521	M2000/2-521	Standard	9	✓	✓	M24308/2-516
106	M24308/2-522	M2000/2-522	Standard	15	✓	✓	M24308/2-517
107	M24308/2-523	M2000/2-523	Standard	25	✓	✓	M24308/2-518
108	M24308/2-524	M2000/2-524	Standard	37	✓	✓	M24308/2-519
109	M24308/2-525	M2000/2-525	Standard	50	✓	✓	M24308/2-520
110	M24308/2-560	M2000/2-560	Standard	9	✗	✗	M24308/2-516
111	M24308/2-561	M2000/2-561	Standard	15	✗	✗	M24308/2-517
112	M24308/2-562	M2000/2-562	Standard	25	✗	✗	M24308/2-518
113	M24308/2-563	M2000/2-563	Standard	37	✗	✗	M24308/2-519
114	M24308/2-564	M2000/2-564	Standard	50	✗	✗	M24308/2-520
115	M24308/2-526	M2000/2-526	High Density	15	✓	✗	M24308/2-526
116	M24308/2-527	M2000/2-527	High Density	26	✓	✗	M24308/2-527
117	M24308/2-528	M2000/2-528	High Density	44	✓	✗	M24308/2-528
118	M24308/2-529	M2000/2-529	High Density	62	✓	✗	M24308/2-529
119	M24308/2-530	M2000/2-530	High Density	78	✓	✗	M24308/2-530
120	M24308/2-531	M2000/2-531	High Density	104	✓	✗	M24308/2-531
121	M24308/2-532	M2000/2-532	High Density	15	✓	✓	M24308/2-526
122	M24308/2-533	M2000/2-533	High Density	26	✓	✓	M24308/2-527
123	M24308/2-534	M2000/2-534	High Density	44	✓	✓	M24308/2-528
124	M24308/2-535	M2000/2-535	High Density	62	✓	✓	M24308/2-529
125	M24308/2-536	M2000/2-536	High Density	78	✓	✓	M24308/2-530
126	M24308/2-537	M2000/2-537	High Density	104	✓	✓	M24308/2-531
127	M24308/2-565	M2000/2-565	High Density	15	✗	✗	M24308/2-526
128	M24308/2-566	M2000/2-566	High Density	26	✗	✗	M24308/2-527
129	M24308/2-567	M2000/2-567	High Density	44	✗	✗	M24308/2-528
130	M24308/2-568	M2000/2-568	High Density	62	✗	✗	M24308/2-529
131	M24308/2-569	M2000/2-569	High Density	78	✗	✗	M24308/2-530
132	M24308/2-570	M2000/2-570	High Density	104	✗	✗	M24308/2-531

✓ – Included with connector

✗ – Not included with connector



Sr. No.	Military Designation	Manufacturers Designation	Type	No. of Pins	Crimp Contact	I R Tool	Marking On The Connector
1	M24308/6-1F	M2000/6-1F	Standard	9	✓	✗	M24308/6-1F
2	M24308/6-2F	M2000/6-2F	Standard	15	✓	✗	M24308/6-2F
3	M24308/6-3F	M2000/6-3F	Standard	25	✓	✗	M24308/6-3F
4	M24308/6-4F	M2000/6-4F	Standard	37	✓	✗	M24308/6-4F
5	M24308/6-5F	M2000/6-5F	Standard	50	✓	✗	M24308/6-5F
6	M24308/6-6F	M2000/6-6F	Standard	9	✓	✓	M24308/6-1F
7	M24308/6-7F	M2000/6-7F	Standard	15	✓	✓	M24308/6-2F
8	M24308/6-8F	M2000/6-8F	Standard	25	✓	✓	M24308/6-3F
9	M24308/6-9F	M2000/6-9F	Standard	37	✓	✓	M24308/6-4F
10	M24308/6-10F	M2000/6-10F	Standard	50	✓	✓	M24308/6-5F
11	M24308/6-281F	M2000/6-281F	Standard	9	✗	✗	M24308/6-1F
12	M24308/6-282F	M2000/6-282F	Standard	15	✗	✗	M24308/6-2F
13	M24308/6-283F	M2000/6-283F	Standard	25	✗	✗	M24308/6-3F
14	M24308/6-284F	M2000/6-284F	Standard	37	✗	✗	M24308/6-4F
15	M24308/6-285F	M2000/6-285F	Standard	50	✗	✗	M24308/6-5F
16	M24308/6-11F	M2000/6-11F	High Density	15	✓	✗	M24308/6-11F
17	M24308/6-12F	M2000/6-12F	High Density	26	✓	✗	M24308/6-12F
18	M24308/6-13F	M2000/6-13F	High Density	44	✓	✗	M24308/6-13F
19	M24308/6-14F	M2000/6-14F	High Density	62	✓	✗	M24308/6-14F
20	M24308/6-15F	M2000/6-15F	High Density	78	✓	✗	M24308/6-15F
21	M24308/6-16F	M2000/6-16F	High Density	104	✓	✗	M24308/6-16F
22	M24308/6-17F	M2000/6-17F	High Density	15	✓	✓	M24308/6-11F
23	M24308/6-18F	M2000/6-18F	High Density	26	✓	✓	M24308/6-12F
24	M24308/6-19F	M2000/6-19F	High Density	44	✓	✓	M24308/6-13F
25	M24308/6-20F	M2000/6-20F	High Density	62	✓	✓	M24308/6-14F
26	M24308/6-21F	M2000/6-21F	High Density	78	✓	✓	M24308/6-15F
27	M24308/6-22F	M2000/6-22F	High Density	104	✓	✓	M24308/6-16F
28	M24308/6-286F	M2000/6-286F	High Density	15	✗	✗	M24308/6-11F
29	M24308/6-287F	M2000/6-287F	High Density	26	✗	✗	M24308/6-12F
30	M24308/6-288F	M2000/6-288F	High Density	44	✗	✗	M24308/6-13F
31	M24308/6-289F	M2000/6-289F	High Density	62	✗	✗	M24308/6-14F
32	M24308/6-290F	M2000/6-290F	High Density	78	✗	✗	M24308/6-15F
33	M24308/6-291F	M2000/6-291F	High Density	104	✗	✗	M24308/6-16F

✓ – Included with connector

✗ – Not included with connector

Sr. No.	Military Designation	Manufacturers Designation	Type	No. of Pins	Crimp Contact	I R Tool	Marking On The Connector
34	M24308/6-1Z	M2000/6-1Z	Standard	9	✓	✗	M24308/6-1Z
35	M24308/6-2Z	M2000/6-2Z	Standard	15	✓	✗	M24308/6-2Z
36	M24308/6-3Z	M2000/6-3Z	Standard	25	✓	✗	M24308/6-3Z
37	M24308/6-4Z	M2000/6-4Z	Standard	37	✓	✗	M24308/6-4Z
38	M24308/6-5Z	M2000/6-5Z	Standard	50	✓	✗	M24308/6-5Z
39	M24308/6-6Z	M2000/6-6Z	Standard	9	✓	✓	M24308/6-1Z
40	M24308/6-7Z	M2000/6-7Z	Standard	15	✓	✓	M24308/6-2Z
41	M24308/6-8Z	M2000/6-8Z	Standard	25	✓	✓	M24308/6-3Z
42	M24308/6-9Z	M2000/6-9Z	Standard	37	✓	✓	M24308/6-4Z
43	M24308/6-10Z	M2000/6-10Z	Standard	50	✓	✓	M24308/6-5Z
44	M24308/6-281Z	M2000/6-281Z	Standard	9	✗	✗	M24308/6-1Z
45	M24308/6-282Z	M2000/6-282Z	Standard	15	✗	✗	M24308/6-2Z
46	M24308/6-283Z	M2000/6-283Z	Standard	25	✗	✗	M24308/6-3Z
47	M24308/6-284Z	M2000/6-284Z	Standard	37	✗	✗	M24308/6-4Z
48	M24308/6-285Z	M2000/6-285Z	Standard	50	✗	✗	M24308/6-5Z
49	M24308/6-11Z	M2000/6-11Z	High Density	15	✓	✗	M24308/6-11Z
50	M24308/6-12Z	M2000/6-12Z	High Density	26	✓	✗	M24308/6-12Z
51	M24308/6-13Z	M2000/6-13Z	High Density	44	✓	✗	M24308/6-13Z
52	M24308/6-14Z	M2000/6-14Z	High Density	62	✓	✗	M24308/6-14Z
53	M24308/6-15Z	M2000/6-15Z	High Density	78	✓	✗	M24308/6-15Z
54	M24308/6-16Z	M2000/6-16Z	High Density	104	✓	✗	M24308/6-16Z
55	M24308/6-17Z	M2000/6-17Z	High Density	15	✓	✓	M24308/6-11Z
56	M24308/6-18Z	M2000/6-18Z	High Density	26	✓	✓	M24308/6-12Z
57	M24308/6-19Z	M2000/6-19Z	High Density	44	✓	✓	M24308/6-13Z
58	M24308/6-20Z	M2000/6-20Z	High Density	62	✓	✓	M24308/6-14Z
59	M24308/6-21Z	M2000/6-21Z	High Density	78	✓	✓	M24308/6-15Z
60	M24308/6-22Z	M2000/6-22Z	High Density	104	✓	✓	M24308/6-16Z
61	M24308/6-286Z	M2000/6-286Z	High Density	15	✗	✗	M24308/6-11Z
62	M24308/6-287Z	M2000/6-287Z	High Density	26	✗	✗	M24308/6-12Z
63	M24308/6-288Z	M2000/6-288Z	High Density	44	✗	✗	M24308/6-13Z
64	M24308/6-289Z	M2000/6-289Z	High Density	62	✗	✗	M24308/6-14Z
65	M24308/6-290Z	M2000/6-290Z	High Density	78	✗	✗	M24308/6-15Z
66	M24308/6-291Z	M2000/6-291Z	High Density	104	✗	✗	M24308/6-16Z

✓ – Included with connector

✗ – Not included with connector

Sr. No.	Military Designation	Manufacturers Designation	Type	No. of Pins	Crimp Contact	I R Tool	Marking On The Connector
67	M24308/6-502	M2000/6-502	Standard	9	✓	✗	M24308/6-502
68	M24308/6-503	M2000/6-503	Standard	15	✓	✗	M24308/6-503
69	M24308/6-504	M2000/6-504	Standard	25	✓	✗	M24308/6-504
70	M24308/6-505	M2000/6-505	Standard	37	✓	✗	M24308/6-505
71	M24308/6-506	M2000/6-506	Standard	50	✓	✗	M24308/6-506
72	M24308/6-507	M2000/6-507	Standard	9	✓	✓	M24308/6-502
73	M24308/6-508	M2000/6-508	Standard	15	✓	✓	M24308/6-503
74	M24308/6-509	M2000/6-509	Standard	25	✓	✓	M24308/6-504
75	M24308/6-510	M2000/6-510	Standard	37	✓	✓	M24308/6-505
76	M24308/6-511	M2000/6-511	Standard	50	✓	✓	M24308/6-506
77	M24308/6-540	M2000/6-540	Standard	9	✗	✗	M24308/6-502
78	M24308/6-541	M2000/6-541	Standard	15	✗	✗	M24308/6-503
79	M24308/6-542	M2000/6-542	Standard	25	✗	✗	M24308/6-504
80	M24308/6-543	M2000/6-543	Standard	37	✗	✗	M24308/6-505
81	M24308/6-544	M2000/6-544	Standard	50	✗	✗	M24308/6-506
82	M24308/6-512	M2000/6-512	High Density	15	✓	✗	M24308/6-512
83	M24308/6-513	M2000/6-513	High Density	26	✓	✗	M24308/6-513
84	M24308/6-514	M2000/6-514	High Density	44	✓	✗	M24308/6-514
85	M24308/6-515	M2000/6-515	High Density	62	✓	✗	M24308/6-515
86	M24308/6-516	M2000/6-516	High Density	78	✓	✗	M24308/6-516
87	M24308/6-517	M2000/6-517	High Density	104	✓	✗	M24308/6-517
88	M24308/6-518	M2000/6-518	High Density	15	✓	✓	M24308/6-512
89	M24308/6-519	M2000/6-519	High Density	26	✓	✓	M24308/6-513
90	M24308/6-520	M2000/6-520	High Density	44	✓	✓	M24308/6-514
91	M24308/6-521	M2000/6-521	High Density	62	✓	✓	M24308/6-515
92	M24308/6-522	M2000/6-522	High Density	78	✓	✓	M24308/6-516
93	M24308/6-523	M2000/6-523	High Density	104	✓	✓	M24308/6-517
94	M24308/6-545	M2000/6-545	High Density	15	✗	✗	M24308/6-512
95	M24308/6-546	M2000/6-546	High Density	26	✗	✗	M24308/6-513
96	M24308/6-547	M2000/6-547	High Density	44	✗	✗	M24308/6-514
97	M24308/6-548	M2000/6-548	High Density	62	✗	✗	M24308/6-515
98	M24308/6-549	M2000/6-549	High Density	78	✗	✗	M24308/6-516
99	M24308/6-550	M2000/6-550	High Density	104	✗	✗	M24308/6-517

✓ – Included with connector

✗ – Not included with connector

Sr. No.	Military Designation	Manufacturers Designation	Type	No. of Pins	Crimp Contact	I R Tool	Marking On The Connector
1	M24308/2-23F	M2000/2-23F	Standard	9	✓	✗	M24308/2-23F
2	M24308/2-24F	M2000/2-24F	Standard	15	✓	✗	M24308/2-24F
3	M24308/2-25F	M2000/2-25F	Standard	25	✓	✗	M24308/2-25F
4	M24308/2-26F	M2000/2-26F	Standard	37	✓	✗	M24308/2-26F
5	M24308/2-27F	M2000/2-27F	Standard	50	✓	✗	M24308/2-27F
6	M24308/2-34F	M2000/2-34F	Standard	9	✓	✓	M24308/2-23F
7	M24308/2-35F	M2000/2-35F	Standard	15	✓	✓	M24308/2-24F
8	M24308/2-36F	M2000/2-36F	Standard	25	✓	✓	M24308/2-25F
9	M24308/2-37F	M2000/2-37F	Standard	37	✓	✓	M24308/2-26F
10	M24308/2-38F	M2000/2-38F	Standard	50	✓	✓	M24308/2-27F
11	M24308/2-292F	M2000/2-292F	Standard	9	✗	✗	M24308/2-23F
12	M24308/2-293F	M2000/2-293F	Standard	15	✗	✗	M24308/2-24F
13	M24308/2-294F	M2000/2-294F	Standard	25	✗	✗	M24308/2-25F
14	M24308/2-295F	M2000/2-295F	Standard	37	✗	✗	M24308/2-26F
15	M24308/2-296F	M2000/2-296F	Standard	50	✗	✗	M24308/2-27F
16	M24308/2-28F	M2000/2-28F	High Density	15	✓	✗	M24308/2-28F
17	M24308/2-29F	M2000/2-29F	High Density	26	✓	✗	M24308/2-29F
18	M24308/2-30F	M2000/2-30F	High Density	44	✓	✗	M24308/2-30F
19	M24308/2-31F	M2000/2-31F	High Density	62	✓	✗	M24308/2-31F
20	M24308/2-32F	M2000/2-32F	High Density	78	✓	✗	M24308/2-32F
21	M24308/2-33F	M2000/2-33F	High Density	104	✓	✗	M24308/2-33F
22	M24308/2-39F	M2000/2-39F	High Density	15	✓	✓	M24308/2-28F
23	M24308/2-40F	M2000/2-40F	High Density	26	✓	✓	M24308/2-29F
24	M24308/2-41F	M2000/2-41F	High Density	44	✓	✓	M24308/2-30F
25	M24308/2-42F	M2000/2-42F	High Density	62	✓	✓	M24308/2-31F
26	M24308/2-43F	M2000/2-43F	High Density	78	✓	✓	M24308/2-32F
27	M24308/2-44F	M2000/2-44F	High Density	104	✓	✓	M24308/2-33F
28	M24308/2-297F	M2000/2-297F	High Density	15	✗	✗	M24308/2-28F
29	M24308/2-298F	M2000/2-298F	High Density	26	✗	✗	M24308/2-29F
30	M24308/2-299F	M2000/2-299F	High Density	44	✗	✗	M24308/2-30F
31	M24308/2-300F	M2000/2-300F	High Density	62	✗	✗	M24308/2-31F
32	M24308/2-301F	M2000/2-301F	High Density	78	✗	✗	M24308/2-32F

✓ – Included with connector

✗ – Not included with connector



Sr. No.	Military Designation	Manufacturers Designation	Type	No. of Pins	Crimp Contact	I R Tool	Marking On The Connector
33	M24308/2-302F	M2000/2-302F	High Density	104	✘	✘	M24308/2-333F
34	M24308/2-335F	M2000/2-335F	Standard	25	✓	✘	M24308/2-335F
35	M24308/2-336F	M2000/2-336F	Standard	37	✓	✘	M24308/2-336F
36	M24308/2-341F	M2000/2-341F	Standard	15	✓	✘	M24308/2-341F
37	M24308/2-342F	M2000/2-342F	Standard	9	✓	✘	M24308/2-342F
38	M24308/2-343F	M2000/2-343F	Standard	15	✓	✘	M24308/2-343F
39	M24308/2-344F	M2000/2-344F	Standard	25	✓	✘	M24308/2-344F
40	M24308/2-345F	M2000/2-345F	Standard	37	✓	✘	M24308/2-345F
41	M24308/2-346F	M2000/2-346F	Standard	50	✓	✘	M24308/2-346F
42	M24308/2-353F	M2000/2-353F	Standard	9	✓	✓	M24308/2-342F
43	M24308/2-354F	M2000/2-354F	Standard	15	✓	✓	M24308/2-343F
44	M24308/2-355F	M2000/2-355F	Standard	25	✓	✓	M24308/2-344F
45	M24308/2-356F	M2000/2-356F	Standard	37	✓	✓	M24308/2-345F
46	M24308/2-357F	M2000/2-357F	Standard	50	✓	✓	M24308/2-346F
47	M24308/2-482F	M2000/2-482F	Standard	9	✘	✘	M24308/2-342F
48	M24308/2-483F	M2000/2-483F	Standard	15	✘	✘	M24308/2-343F
49	M24308/2-484F	M2000/2-484F	Standard	25	✘	✘	M24308/2-344F
50	M24308/2-485F	M2000/2-485F	Standard	37	✘	✘	M24308/2-345F
51	M24308/2-486F	M2000/2-486F	Standard	50	✘	✘	M24308/2-346F
52	M24308/2-347F	M2000/2-347F	High Density	15	✓	✘	M24308/2-347F
53	M24308/2-348F	M2000/2-348F	High Density	26	✓	✘	M24308/2-348F
54	M24308/2-349F	M2000/2-349F	High Density	44	✓	✘	M24308/2-349F
55	M24308/2-350F	M2000/2-350F	High Density	62	✓	✘	M24308/2-350F
56	M24308/2-351F	M2000/2-351F	High Density	78	✓	✘	M24308/2-351F
57	M24308/2-352F	M2000/2-352F	High Density	104	✓	✘	M24308/2-352F
58	M24308/2-358F	M2000/2-358F	High Density	15	✓	✓	M24308/2-347F
59	M24308/2-359F	M2000/2-359F	High Density	26	✓	✓	M24308/2-348F
60	M24308/2-360F	M2000/2-360F	High Density	44	✓	✓	M24308/2-349F
61	M24308/2-361F	M2000/2-361F	High Density	62	✓	✓	M24308/2-350F
62	M24308/2-362F	M2000/2-362F	High Density	78	✓	✓	M24308/2-351F
63	M24308/2-363F	M2000/2-363F	High Density	104	✓	✓	M24308/2-352F
64	M24308/2-487F	M2000/2-487F	High Density	15	✘	✘	M24308/2-347F

✓ – Included with connector  
✘ – Not included with connector

Sr. No.	Military Designation	Manufacturers Designation	Type	No. of Pins	Crimp Contact	I R Tool	Marking On The Connector
65	M24308/2-488F	M2000/2-488F	High Density	26	✘	✘	M24308/2-348F
66	M24308/2-489F	M2000/2-489F	High Density	44	✘	✘	M24308/2-349F
67	M24308/2-490F	M2000/2-490F	High Density	62	✘	✘	M24308/2-350F
68	M24308/2-491F	M2000/2-491F	High Density	78	✘	✘	M24308/2-351F
69	M24308/2-492F	M2000/2-492F	High Density	104	✘	✘	M24308/2-352F
70	M24308/2-509F	M2000/2-509F	Standard	25	✓	✘	M24308/2-509F
71	M24308/2-510F	M2000/2-510F	Standard	37	✓	✘	M24308/2-510F
72	M24308/2-515F	M2000/2-515F	Standard	15	✓	✘	M24308/2-515F
73	M24308/2-23Z	M2000/2-23Z	Standard	9	✓	✘	M24308/2-23Z
74	M24308/2-24Z	M2000/2-24Z	Standard	15	✓	✘	M24308/2-24Z
75	M24308/2-25Z	M2000/2-25Z	Standard	25	✓	✘	M24308/2-25Z
76	M24308/2-26Z	M2000/2-26Z	Standard	37	✓	✘	M24308/2-26Z
77	M24308/2-27Z	M2000/2-27Z	Standard	50	✓	✘	M24308/2-27Z
78	M24308/2-34Z	M2000/2-34Z	Standard	9	✓	✓	M24308/2-23Z
79	M24308/2-35Z	M2000/2-35Z	Standard	15	✓	✓	M24308/2-24Z
80	M24308/2-36Z	M2000/2-36Z	Standard	25	✓	✓	M24308/2-25Z
81	M24308/2-37Z	M2000/2-37Z	Standard	37	✓	✓	M24308/2-26Z
82	M24308/2-38Z	M2000/2-38Z	Standard	50	✓	✓	M24308/2-27Z
83	M24308/2-292Z	M2000/2-292Z	Standard	9	✘	✘	M24308/2-23Z
84	M24308/2-293Z	M2000/2-293Z	Standard	15	✘	✘	M24308/2-24Z
85	M24308/2-294Z	M2000/2-294Z	Standard	25	✘	✘	M24308/2-25Z
86	M24308/2-295Z	M2000/2-295Z	Standard	37	✘	✘	M24308/2-26Z
87	M24308/2-296Z	M2000/2-296Z	Standard	50	✘	✘	M24308/2-27Z
88	M24308/2-28Z	M2000/2-28Z	High Density	15	✓	✘	M24308/2-28Z
89	M24308/2-29Z	M2000/2-29Z	High Density	26	✓	✘	M24308/2-29Z
90	M24308/2-30Z	M2000/2-30Z	High Density	44	✓	✘	M24308/2-30Z
91	M24308/2-31Z	M2000/2-31Z	High Density	62	✓	✘	M24308/2-31Z
92	M24308/2-32Z	M2000/2-32Z	High Density	78	✓	✘	M24308/2-32Z
93	M24308/2-33Z	M2000/2-33Z	High Density	104	✓	✘	M24308/2-33Z
94	M24308/2-39Z	M2000/2-39Z	High Density	15	✓	✓	M24308/2-28Z
95	M24308/2-40Z	M2000/2-40Z	High Density	26	✓	✓	M24308/2-29Z
96	M24308/2-41Z	M2000/2-41Z	High Density	44	✓	✓	M24308/2-30Z

✓ – Included with connector

✘ – Not included with connector



Sr. No.	Military Designation	Manufacturers Designation	Type	No. of Pins	Crimp Contact	I R Tool	Marking On The Connector
97	M24308/2-42Z	M2000/2-42Z	High Density	62	✓	✓	M24308/2-31Z
98	M24308/2-43Z	M2000/2-43Z	High Density	78	✓	✓	M24308/2-32Z
99	M24308/2-44Z	M2000/2-44Z	High Density	104	✓	✓	M24308/2-33Z
100	M24308/2-297Z	M2000/2-297Z	High Density	15	✗	✗	M24308/2-28Z
101	M24308/2-298Z	M2000/2-298Z	High Density	26	✗	✗	M24308/2-29Z
102	M24308/2-299Z	M2000/2-299Z	High Density	44	✗	✗	M24308/2-30Z
103	M24308/2-300Z	M2000/2-300Z	High Density	62	✗	✗	M24308/2-31Z
104	M24308/2-301Z	M2000/2-301Z	High Density	78	✗	✗	M24308/2-32Z
105	M24308/2-302Z	M2000/2-302Z	High Density	104	✗	✗	M24308/2-33Z
106	M24308/2-335Z	M2000/2-335Z	Standard	25	✓	✗	M24308/2-335Z
107	M24308/2-336Z	M2000/2-336Z	Standard	37	✓	✗	M24308/2-336Z
108	M24308/2-341Z	M2000/2-341Z	Standard	15	✓	✗	M24308/2-341Z
109	M24308/2-342Z	M2000/2-342Z	Standard	9	✓	✗	M24308/2-342Z
110	M24308/2-343Z	M2000/2-343Z	Standard	15	✓	✗	M24308/2-343Z
111	M24308/2-344Z	M2000/2-344Z	Standard	25	✓	✗	M24308/2-344Z
112	M24308/2-345Z	M2000/2-345Z	Standard	37	✓	✗	M24308/2-345Z
113	M24308/2-346Z	M2000/2-346Z	Standard	50	✓	✗	M24308/2-346Z
114	M24308/2-353Z	M2000/2-353Z	Standard	9	✓	✓	M24308/2-342Z
115	M24308/2-354Z	M2000/2-354Z	Standard	15	✓	✓	M24308/2-343Z
116	M24308/2-355Z	M2000/2-355Z	Standard	25	✓	✓	M24308/2-344Z
117	M24308/2-356Z	M2000/2-356Z	Standard	37	✓	✓	M24308/2-345Z
118	M24308/2-357Z	M2000/2-357Z	Standard	50	✓	✓	M24308/2-346Z
119	M24308/2-482Z	M2000/2-482Z	Standard	9	✗	✗	M24308/2-342Z
120	M24308/2-483Z	M2000/2-483Z	Standard	15	✗	✗	M24308/2-343Z
121	M24308/2-484Z	M2000/2-484Z	Standard	25	✗	✗	M24308/2-344Z
122	M24308/2-485Z	M2000/2-485Z	Standard	37	✗	✗	M24308/2-345Z
123	M24308/2-486Z	M2000/2-486Z	Standard	50	✗	✗	M24308/2-346Z
124	M24308/2-347Z	M2000/2-347Z	High Density	15	✓	✗	M24308/2-347Z
125	M24308/2-348Z	M2000/2-348Z	High Density	26	✓	✗	M24308/2-348Z
126	M24308/2-349Z	M2000/2-349Z	High Density	44	✓	✗	M24308/2-349Z
127	M24308/2-350Z	M2000/2-350Z	High Density	62	✓	✗	M24308/2-350Z
128	M24308/2-351Z	M2000/2-351Z	High Density	78	✓	✗	M24308/2-351Z

✓ – Included with connector  
✗ – Not included with connector

Sr. No.	Military Designation	Manufacturers Designation	Type	No. of Pins	Crimp Contact	I R Tool	Marking On The Connector
129	M24308/2-352Z	M2000/2-352Z	High Density	104	✓	✗	M24308/2-352Z
130	M24308/2-358Z	M2000/2-358Z	High Density	15	✓	✓	M24308/2-347Z
131	M24308/2-359Z	M2000/2-359Z	High Density	26	✓	✓	M24308/2-348Z
132	M24308/2-360Z	M2000/2-360Z	High Density	44	✓	✓	M24308/2-349Z
133	M24308/2-361Z	M2000/2-361Z	High Density	62	✓	✓	M24308/2-350Z
134	M24308/2-362Z	M2000/2-362Z	High Density	78	✓	✓	M24308/2-351Z
135	M24308/2-363Z	M2000/2-363Z	High Density	104	✓	✓	M24308/2-352Z
136	M24308/2-487Z	M2000/2-487Z	High Density	15	✗	✗	M24308/2-347Z
137	M24308/2-488Z	M2000/2-488Z	High Density	26	✗	✗	M24308/2-348Z
138	M24308/2-489Z	M2000/2-489Z	High Density	44	✗	✗	M24308/2-349Z
139	M24308/2-490Z	M2000/2-490Z	High Density	62	✗	✗	M24308/2-350Z
140	M24308/2-491Z	M2000/2-491Z	High Density	78	✗	✗	M24308/2-351Z
141	M24308/2-492Z	M2000/2-492Z	High Density	104	✗	✗	M24308/2-352Z
142	M24308/2-509Z	M2000/2-509Z	Standard	25	✓	✗	M24308/2-509Z
143	M24308/2-510Z	M2000/2-510Z	Standard	37	✓	✗	M24308/2-510Z
144	M24308/2-515Z	M2000/2-515Z	Standard	15	✓	✗	M24308/2-515Z
145	M24308/2-23K	M2000/2-23K	Standard	9	✓	✗	M24308/2-23K
146	M24308/2-24K	M2000/2-24K	Standard	15	✓	✗	M24308/2-24K
147	M24308/2-25K	M2000/2-25K	Standard	25	✓	✗	M24308/2-25K
148	M24308/2-26K	M2000/2-26K	Standard	37	✓	✗	M24308/2-26K
149	M24308/2-27K	M2000/2-27K	Standard	50	✓	✗	M24308/2-27K
150	M24308/2-34K	M2000/2-34K	Standard	9	✓	✓	M24308/2-23K
151	M24308/2-35K	M2000/2-35K	Standard	15	✓	✓	M24308/2-24K
152	M24308/2-36K	M2000/2-36K	Standard	25	✓	✓	M24308/2-25K
153	M24308/2-37K	M2000/2-37K	Standard	37	✓	✓	M24308/2-26K
154	M24308/2-38K	M2000/2-38K	Standard	50	✓	✓	M24308/2-27K
155	M24308/2-292K	M2000/2-292K	Standard	9	✗	✗	M24308/2-23K
156	M24308/2-293K	M2000/2-293K	Standard	15	✗	✗	M24308/2-24K
157	M24308/2-294K	M2000/2-294K	Standard	25	✗	✗	M24308/2-25K
158	M24308/2-295K	M2000/2-295K	Standard	37	✗	✗	M24308/2-26K
159	M24308/2-296K	M2000/2-296K	Standard	50	✗	✗	M24308/2-27K
160	M24308/2-28K	M2000/2-28K	High Density	15	✓	✗	M24308/2-28K

✓ – Included with connector

✗ – Not included with connector



Sr. No.	Military Designation	Manufacturers Designation	Type	No. of Pins	Crimp Contact	I R Tool	Marking On The Connector
161	M24308/2-29K	M2000/2-29K	High Density	26	✓	✗	M24308/2-29K
162	M24308/2-30K	M2000/2-30K	High Density	44	✓	✗	M24308/2-30K
163	M24308/2-31K	M2000/2-31K	High Density	62	✓	✗	M24308/2-31K
164	M24308/2-32K	M2000/2-32K	High Density	78	✓	✗	M24308/2-32K
165	M24308/2-33K	M2000/2-33K	High Density	104	✓	✗	M24308/2-33K
166	M24308/2-39K	M2000/2-39K	High Density	15	✓	✓	M24308/2-28K
167	M24308/2-40K	M2000/2-40K	High Density	26	✓	✓	M24308/2-29K
168	M24308/2-41K	M2000/2-41K	High Density	44	✓	✓	M24308/2-30K
169	M24308/2-42K	M2000/2-42K	High Density	62	✓	✓	M24308/2-31K
170	M24308/2-43K	M2000/2-43K	High Density	78	✓	✓	M24308/2-32K
171	M24308/2-44K	M2000/2-44K	High Density	104	✓	✓	M24308/2-33K
172	M24308/2-297K	M2000/2-297K	High Density	15	✗	✗	M24308/2-28K
173	M24308/2-298K	M2000/2-298K	High Density	26	✗	✗	M24308/2-29K
174	M24308/2-299K	M2000/2-299K	High Density	44	✗	✗	M24308/2-30K
175	M24308/2-300K	M2000/2-300K	High Density	62	✗	✗	M24308/2-31K
176	M24308/2-301K	M2000/2-301K	High Density	78	✗	✗	M24308/2-32K
177	M24308/2-302K	M2000/2-302K	High Density	104	✗	✗	M24308/2-33K
178	M24308/2-335K	M2000/2-335K	Standard	25	✓	✗	M24308/2-335K
179	M24308/2-336K	M2000/2-336K	Standard	37	✓	✗	M24308/2-336K
180	M24308/2-341K	M2000/2-341K	Standard	15	✓	✗	M24308/2-341K
181	M24308/2-342K	M2000/2-342K	Standard	9	✓	✗	M24308/2-342K
182	M24308/2-343K	M2000/2-343K	Standard	15	✓	✗	M24308/2-343K
183	M24308/2-344K	M2000/2-344K	Standard	25	✓	✗	M24308/2-344K
184	M24308/2-345K	M2000/2-345K	Standard	37	✓	✗	M24308/2-345K
185	M24308/2-346K	M2000/2-346K	Standard	50	✓	✗	M24308/2-346K
186	M24308/2-353K	M2000/2-353K	Standard	9	✓	✓	M24308/2-342K
187	M24308/2-354K	M2000/2-354K	Standard	15	✓	✓	M24308/2-343K
188	M24308/2-355K	M2000/2-355K	Standard	25	✓	✓	M24308/2-344K
189	M24308/2-356K	M2000/2-356K	Standard	37	✓	✓	M24308/2-345K
190	M24308/2-357K	M2000/2-357K	Standard	50	✓	✓	M24308/2-346K
191	M24308/2-482K	M2000/2-482K	Standard	9	✗	✗	M24308/2-342K
192	M24308/2-483K	M2000/2-483K	Standard	15	✗	✗	M24308/2-343K

✓ – Included with connector

✗ – Not included with connector

Sr. No.	Military Designation	Manufacturers Designation	Type	No. of Pins	Crimp Contact	I R Tool	Marking On The Connector
193	M24308/2-484K	M2000/2-484K	Standard	25	✘	✘	M24308/2-344K
194	M24308/2-485K	M2000/2-485K	Standard	37	✘	✘	M24308/2-345K
195	M24308/2-486K	M2000/2-486K	Standard	50	✘	✘	M24308/2-346K
196	M24308/2-347K	M2000/2-347K	High Density	15	✓	✘	M24308/2-347K
197	M24308/2-348K	M2000/2-348K	High Density	26	✓	✘	M24308/2-348K
198	M24308/2-349K	M2000/2-349K	High Density	44	✓	✘	M24308/2-349K
199	M24308/2-350K	M2000/2-350K	High Density	62	✓	✘	M24308/2-350K
200	M24308/2-351K	M2000/2-351K	High Density	78	✓	✘	M24308/2-351K
201	M24308/2-352K	M2000/2-352K	High Density	104	✓	✘	M24308/2-352K
202	M24308/2-358K	M2000/2-358K	High Density	15	✓	✓	M24308/2-347K
203	M24308/2-359K	M2000/2-359K	High Density	26	✓	✓	M24308/2-348K
204	M24308/2-360K	M2000/2-360K	High Density	44	✓	✓	M24308/2-349K
205	M24308/2-361K	M2000/2-361K	High Density	62	✓	✓	M24308/2-350K
206	M24308/2-362K	M2000/2-362K	High Density	78	✓	✓	M24308/2-351K
207	M24308/2-363K	M2000/2-363K	High Density	104	✓	✓	M24308/2-352K
208	M24308/2-487K	M2000/2-487K	High Density	15	✘	✘	M24308/2-347K
209	M24308/2-488K	M2000/2-488K	High Density	26	✘	✘	M24308/2-348K
210	M24308/2-489K	M2000/2-489K	High Density	44	✘	✘	M24308/2-349K
211	M24308/2-490K	M2000/2-490K	High Density	62	✘	✘	M24308/2-350K
212	M24308/2-491K	M2000/2-491K	High Density	78	✘	✘	M24308/2-351K
213	M24308/2-492K	M2000/2-492K	High Density	104	✘	✘	M24308/2-352K
214	M24308/2-509K	M2000/2-509K	Standard	25	✓	✘	M24308/2-509K
215	M24308/2-510K	M2000/2-510K	Standard	37	✓	✘	M24308/2-510K
216	M24308/2-515K	M2000/2-515K	Standard	15	✓	✘	M24308/2-515K
217	M24308/2-538	M2000/2-538	Standard	9	✓	✘	M24308/2-538
218	M24308/2-539	M2000/2-539	Standard	15	✓	✘	M24308/2-539
219	M24308/2-540	M2000/2-540	Standard	25	✓	✘	M24308/2-540
220	M24308/2-541	M2000/2-541	Standard	37	✓	✘	M24308/2-541
221	M24308/2-542	M2000/2-542	Standard	50	✓	✘	M24308/2-542
222	M24308/2-549	M2000/2-549	Standard	9	✓	✓	M24308/2-538
223	M24308/2-550	M2000/2-550	Standard	15	✓	✓	M24308/2-539
224	M24308/2-551	M2000/2-551	Standard	25	✓	✓	M24308/2-540

✓ – Included with connector

✘ – Not included with connector

Sr. No.	Military Designation	Manufacturers Designation	Type	No. of Pins	Crimp Contact	I R Tool	Marking On The Connector
225	M24308/2-552	M2000/2-552	Standard	37	✓	✓	M24308/2-541
226	M24308/2-553	M2000/2-553	Standard	50	✓	✓	M24308/2-542
227	M24308/2-571	M2000/2-571	Standard	9	✗	✗	M24308/2-538
228	M24308/2-572	M2000/2-572	Standard	15	✗	✗	M24308/2-539
229	M24308/2-573	M2000/2-573	Standard	25	✗	✗	M24308/2-540
230	M24308/2-574	M2000/2-574	Standard	37	✗	✗	M24308/2-541
231	M24308/2-575	M2000/2-575	Standard	50	✗	✗	M24308/2-542
232	M24308/2-543	M2000/2-543	High Density	15	✓	✗	M24308/2-543
233	M24308/2-544	M2000/2-544	High Density	26	✓	✗	M24308/2-544
234	M24308/2-545	M2000/2-545	High Density	44	✓	✗	M24308/2-545
235	M24308/2-546	M2000/2-546	High Density	62	✓	✗	M24308/2-546
236	M24308/2-547	M2000/2-547	High Density	78	✓	✗	M24308/2-547
237	M24308/2-548	M2000/2-548	High Density	104	✓	✗	M24308/2-548
238	M24308/2-554	M2000/2-554	High Density	15	✓	✓	M24308/2-543
239	M24308/2-555	M2000/2-555	High Density	26	✓	✓	M24308/2-544
240	M24308/2-556	M2000/2-556	High Density	44	✓	✓	M24308/2-545
241	M24308/2-557	M2000/2-557	High Density	62	✓	✓	M24308/2-546
242	M24308/2-558	M2000/2-558	High Density	78	✓	✓	M24308/2-547
243	M24308/2-559	M2000/2-559	High Density	104	✓	✓	M24308/2-548
244	M24308/2-576	M2000/2-576	High Density	15	✗	✗	M24308/2-543
245	M24308/2-577	M2000/2-577	High Density	26	✗	✗	M24308/2-544
246	M24308/2-578	M2000/2-578	High Density	44	✗	✗	M24308/2-545
247	M24308/2-579	M2000/2-579	High Density	62	✗	✗	M24308/2-546
248	M24308/2-580	M2000/2-580	High Density	78	✗	✗	M24308/2-547
249	M24308/2-581	M2000/2-581	High Density	104	✗	✗	M24308/2-548
250	M24308/2-582	M2000/2-582	Standard	25	✓	✗	M24308/2-582
251	M24308/2-583	M2000/2-583	Standard	37	✓	✗	M24308/2-583
252	M24308/2-584	M2000/2-584	Standard	15	✓	✗	M24308/2-584
253	M24308/2-585	M2000/2-585	Standard	9	✓	✗	M24308/2-585
254	M24308/2-586	M2000/2-586	Standard	15	✓	✗	M24308/2-586
255	M24308/2-587	M2000/2-587	Standard	25	✓	✗	M24308/2-587
256	M24308/2-588	M2000/2-588	Standard	37	✓	✗	M24308/2-588

✓ – Included with connector

✗ – Not included with connector



Sr. No.	Military Designation	Manufacturers Designation	Type	No. of Pins	Crimp Contact	I R Tool	Marking On The Connector
257	M24308/2-589	M2000/2-589	Standard	50	✓	✗	M24308/2-589
258	M24308/2-596	M2000/2-596	Standard	9	✓	✓	M24308/2-585
259	M24308/2-597	M2000/2-597	Standard	15	✓	✓	M24308/2-586
260	M24308/2-598	M2000/2-598	Standard	25	✓	✓	M24308/2-587
261	M24308/2-599	M2000/2-599	Standard	37	✓	✓	M24308/2-588
262	M24308/2-600	M2000/2-600	Standard	50	✓	✓	M24308/2-589
263	M24308/2-607	M2000/2-607	Standard	9	✗	✗	M24308/2-585
264	M24308/2-608	M2000/2-608	Standard	15	✗	✗	M24308/2-586
265	M24308/2-609	M2000/2-609	Standard	25	✗	✗	M24308/2-587
266	M24308/2-610	M2000/2-610	Standard	37	✗	✗	M24308/2-588
267	M24308/2-611	M2000/2-611	Standard	50	✗	✗	M24308/2-589
268	M24308/2-590	M2000/2-590	High Density	15	✓	✗	M24308/2-590
269	M24308/2-591	M2000/2-591	High Density	26	✓	✗	M24308/2-591
270	M24308/2-592	M2000/2-592	High Density	44	✓	✗	M24308/2-592
271	M24308/2-593	M2000/2-593	High Density	62	✓	✗	M24308/2-593
272	M24308/2-594	M2000/2-594	High Density	78	✓	✗	M24308/2-594
273	M24308/2-595	M2000/2-595	High Density	104	✓	✗	M24308/2-595
274	M24308/2-601	M2000/2-601	High Density	15	✓	✓	M24308/2-590
275	M24308/2-602	M2000/2-602	High Density	26	✓	✓	M24308/2-591
276	M24308/2-603	M2000/2-603	High Density	44	✓	✓	M24308/2-592
277	M24308/2-604	M2000/2-604	High Density	62	✓	✓	M24308/2-593
278	M24308/2-605	M2000/2-605	High Density	78	✓	✓	M24308/2-594
279	M24308/2-606	M2000/2-606	High Density	104	✓	✓	M24308/2-595
280	M24308/2-612	M2000/2-612	High Density	15	✗	✗	M24308/2-590
281	M24308/2-613	M2000/2-613	High Density	26	✗	✗	M24308/2-591
282	M24308/2-614	M2000/2-614	High Density	44	✗	✗	M24308/2-592
283	M24308/2-615	M2000/2-615	High Density	62	✗	✗	M24308/2-593
284	M24308/2-616	M2000/2-616	High Density	78	✗	✗	M24308/2-594
285	M24308/2-617	M2000/2-617	High Density	104	✗	✗	M24308/2-595
286	M24308/2-621	M2000/2-621	Standard	25	✓	✗	M24308/2-621
287	M24308/2-622	M2000/2-622	Standard	37	✓	✗	M24308/2-622
288	M24308/2-627	M2000/2-627	Standard	15	✓	✗	M24308/2-627

✓ – Included with connector  
✗ – Not included with connector

Sr. No.	Military Designation	Manufacturers Designation	Type	No. of Pins	Crimp Contact	I R Tool	Marking On The Connector
1	M24308/6-259F	M2000/6-259F	Standard	9	✓	✗	M24308/6-259F
2	M24308/6-260F	M2000/6-260F	Standard	15	✓	✗	M24308/6-260F
3	M24308/6-261F	M2000/6-261F	Standard	25	✓	✗	M24308/6-261F
4	M24308/6-262F	M2000/6-262F	Standard	37	✓	✗	M24308/6-262F
5	M24308/6-263F	M2000/6-263F	Standard	50	✓	✗	M24308/6-263F
6	M24308/6-270F	M2000/6-270F	Standard	9	✓	✗	M24308/6-259F
7	M24308/6-271F	M2000/6-271F	Standard	15	✓	✗	M24308/6-260F
8	M24308/6-272F	M2000/6-272F	Standard	25	✓	✗	M24308/6-261F
9	M24308/6-273F	M2000/6-273F	Standard	37	✓	✗	M24308/6-262F
10	M24308/6-274F	M2000/6-274F	Standard	50	✓	✗	M24308/6-263F
11	M24308/6-264F	M2000/6-264F	High Density	15	✓	✗	M24308/6-264F
12	M24308/6-265F	M2000/6-265F	High Density	26	✓	✗	M24308/6-265F
13	M24308/6-266F	M2000/6-266F	High Density	44	✓	✗	M24308/6-266F
14	M24308/6-267F	M2000/6-267F	High Density	62	✓	✗	M24308/6-267F
15	M24308/6-268F	M2000/6-268F	High Density	78	✓	✗	M24308/6-268F
16	M24308/6-269F	M2000/6-269F	High Density	104	✓	✗	M24308/6-269F
17	M24308/6-275F	M2000/6-275F	High Density	15	✓	✓	M24308/6-264F
18	M24308/6-276F	M2000/6-276F	High Density	26	✓	✓	M24308/6-265F
19	M24308/6-277F	M2000/6-277F	High Density	44	✓	✓	M24308/6-266F
20	M24308/6-278F	M2000/6-278F	High Density	62	✓	✓	M24308/6-267F
21	M24308/6-279F	M2000/6-279F	High Density	78	✓	✓	M24308/6-268F
22	M24308/6-280F	M2000/6-280F	High Density	104	✓	✓	M24308/6-269F
23	M24308/6-453F	M2000/6-453F	Standard	9	✓	✗	M24308/6-453F
24	M24308/6-454F	M2000/6-454F	Standard	15	✓	✗	M24308/6-454F
25	M24308/6-455F	M2000/6-455F	Standard	25	✓	✗	M24308/6-455F
26	M24308/6-456F	M2000/6-456F	Standard	37	✓	✗	M24308/6-456F
27	M24308/6-457F	M2000/6-457F	Standard	50	✓	✗	M24308/6-457F
28	M24308/6-464F	M2000/6-464F	Standard	9	✓	✓	M24308/6-453F
29	M24308/6-465F	M2000/6-465F	Standard	15	✓	✓	M24308/6-454F
30	M24308/6-466F	M2000/6-466F	Standard	25	✓	✓	M24308/6-455F
31	M24308/6-467F	M2000/6-467F	Standard	37	✓	✓	M24308/6-456F
32	M24308/6-468F	M2000/6-468F	Standard	50	✓	✓	M24308/6-457F
33	M24308/6-491F	M2000/6-491F	Standard	9	✗	✗	M24308/6-453F

✓ – Included with connector

✗ – Not included with connector

Sr. No.	Military Designation	Manufacturers Designation	Type	No. of Pins	Crimp Contact	I R Tool	Marking On The Connector
34	M24308/6-492F	M2000/6-492F	Standard	15	✘	✘	M24308/6-454F
35	M24308/6-493F	M2000/6-493F	Standard	25	✘	✘	M24308/6-455F
36	M24308/6-494F	M2000/6-494F	Standard	37	✘	✘	M24308/6-456F
37	M24308/6-495F	M2000/6-495F	Standard	50	✘	✘	M24308/6-457F
38	M24308/6-458F	M2000/6-458F	High Density	15	✓	✘	M24308/6-458F
39	M24308/6-459F	M2000/6-459F	High Density	26	✓	✘	M24308/6-459F
40	M24308/6-460F	M2000/6-460F	High Density	44	✓	✘	M24308/6-460F
41	M24308/6-461F	M2000/6-461F	High Density	62	✓	✘	M24308/6-461F
42	M24308/6-462F	M2000/6-462F	High Density	78	✓	✘	M24308/6-462F
43	M24308/6-463F	M2000/6-463F	High Density	104	✓	✘	M24308/6-463F
44	M24308/6-469F	M2000/6-469F	High Density	15	✓	✓	M24308/6-458F
45	M24308/6-470F	M2000/6-470F	High Density	26	✓	✓	M24308/6-459F
46	M24308/6-471F	M2000/6-471F	High Density	44	✓	✓	M24308/6-460F
47	M24308/6-472F	M2000/6-472F	High Density	62	✓	✓	M24308/6-461F
48	M24308/6-473F	M2000/6-473F	High Density	78	✓	✓	M24308/6-462F
49	M24308/6-474F	M2000/6-474F	High Density	104	✓	✓	M24308/6-463F
50	M24308/6-496F	M2000/6-496F	High Density	15	✘	✘	M24308/6-458F
51	M24308/6-497F	M2000/6-497F	High Density	26	✘	✘	M24308/6-459F
52	M24308/6-498F	M2000/6-498F	High Density	44	✘	✘	M24308/6-460F
53	M24308/6-499F	M2000/6-499F	High Density	62	✘	✘	M24308/6-461F
54	M24308/6-500F	M2000/6-500F	High Density	78	✘	✘	M24308/6-462F
55	M24308/6-501F	M2000/6-501F	High Density	104	✘	✘	M24308/6-463F
56	M24308/6-259Z	M2000/6-259Z	Standard	9	✓	✘	M24308/6-259Z
57	M24308/6-260Z	M2000/6-260Z	Standard	15	✓	✘	M24308/6-260Z
58	M24308/6-261Z	M2000/6-261Z	Standard	25	✓	✘	M24308/6-261Z
59	M24308/6-262Z	M2000/6-262Z	Standard	37	✓	✘	M24308/6-262Z
60	M24308/6-263Z	M2000/6-263Z	Standard	50	✓	✘	M24308/6-263Z
61	M24308/6-270Z	M2000/6-270Z	Standard	9	✓	✘	M24308/6-259Z
62	M24308/6-271Z	M2000/6-271Z	Standard	15	✓	✘	M24308/6-260Z
63	M24308/6-272Z	M2000/6-272Z	Standard	25	✓	✘	M24308/6-261Z
64	M24308/6-273Z	M2000/6-273Z	Standard	37	✓	✘	M24308/6-262Z
65	M24308/6-274Z	M2000/6-274Z	Standard	50	✓	✘	M24308/6-263Z
66	M24308/6-264Z	M2000/6-264Z	High Density	15	✓	✘	M24308/6-264Z

✓ – Included with connector

✘ – Not included with connector

Sr. No.	Military Designation	Manufacturers Designation	Type	No. of Pins	Crimp Contact	I R Tool	Marking On The Connector
67	M24308/6-265Z	M2000/6-265Z	High Density	26	✓	✗	M24308/6-265Z
68	M24308/6-266Z	M2000/6-266Z	High Density	44	✓	✗	M24308/6-266Z
69	M24308/6-267Z	M2000/6-267Z	High Density	62	✓	✗	M24308/6-267Z
70	M24308/6-268Z	M2000/6-268Z	High Density	78	✓	✗	M24308/6-268Z
71	M24308/6-269Z	M2000/6-269Z	High Density	104	✓	✗	M24308/6-269Z
72	M24308/6-275Z	M2000/6-275Z	High Density	15	✓	✓	M24308/6-264Z
73	M24308/6-276Z	M2000/6-276Z	High Density	26	✓	✓	M24308/6-265Z
74	M24308/6-277Z	M2000/6-277Z	High Density	44	✓	✓	M24308/6-266Z
75	M24308/6-278Z	M2000/6-278Z	High Density	62	✓	✓	M24308/6-267Z
76	M24308/6-279Z	M2000/6-279Z	High Density	78	✓	✓	M24308/6-268Z
77	M24308/6-280Z	M2000/6-280Z	High Density	104	✓	✓	M24308/6-269Z
78	M24308/6-453Z	M2000/6-453Z	Standard	9	✓	✗	M24308/6-453Z
79	M24308/6-454Z	M2000/6-454Z	Standard	15	✓	✗	M24308/6-454Z
80	M24308/6-455Z	M2000/6-455Z	Standard	25	✓	✗	M24308/6-455Z
81	M24308/6-456Z	M2000/6-456Z	Standard	37	✓	✗	M24308/6-456Z
82	M24308/6-457Z	M2000/6-457Z	Standard	50	✓	✗	M24308/6-457Z
83	M24308/6-464Z	M2000/6-464Z	Standard	9	✓	✓	M24308/6-453Z
84	M24308/6-465Z	M2000/6-465Z	Standard	15	✓	✓	M24308/6-454Z
85	M24308/6-466Z	M2000/6-466Z	Standard	25	✓	✓	M24308/6-455Z
86	M24308/6-467Z	M2000/6-467Z	Standard	37	✓	✓	M24308/6-456Z
87	M24308/6-468Z	M2000/6-468Z	Standard	50	✓	✓	M24308/6-457Z
88	M24308/6-491Z	M2000/6-491Z	Standard	9	✗	✗	M24308/6-453Z
89	M24308/6-492Z	M2000/6-492Z	Standard	15	✗	✗	M24308/6-454Z
90	M24308/6-493Z	M2000/6-493Z	Standard	25	✗	✗	M24308/6-455Z
91	M24308/6-494Z	M2000/6-494Z	Standard	37	✗	✗	M24308/6-456Z
92	M24308/6-495Z	M2000/6-495Z	Standard	50	✗	✗	M24308/6-457Z
93	M24308/6-458Z	M2000/6-458Z	High Density	15	✓	✗	M24308/6-458Z
94	M24308/6-459Z	M2000/6-459Z	High Density	26	✓	✗	M24308/6-459Z
95	M24308/6-460Z	M2000/6-460Z	High Density	44	✓	✗	M24308/6-460Z
96	M24308/6-461Z	M2000/6-461Z	High Density	62	✓	✗	M24308/6-461Z
97	M24308/6-462Z	M2000/6-462Z	High Density	78	✓	✗	M24308/6-462Z
98	M24308/6-463Z	M2000/6-463Z	High Density	104	✓	✗	M24308/6-463Z
99	M24308/6-469Z	M2000/6-469Z	High Density	15	✓	✓	M24308/6-458Z

✓ – Included with connector

✗ – Not included with connector

Sr. No.	Military Designation	Manufacturers Designation	Type	No. of Pins	Crimp Contact	I R Tool	Marking On The Connector
100	M24308/6-470Z	M2000/6-470Z	High Density	26	✓	✓	M24308/6-459Z
101	M24308/6-471Z	M2000/6-471Z	High Density	44	✓	✓	M24308/6-460Z
102	M24308/6-472Z	M2000/6-472Z	High Density	62	✓	✓	M24308/6-461Z
103	M24308/6-473Z	M2000/6-473Z	High Density	78	✓	✓	M24308/6-462Z
104	M24308/6-474Z	M2000/6-474Z	High Density	104	✓	✓	M24308/6-463Z
105	M24308/6-496Z	M2000/6-496Z	High Density	15	✗	✗	M24308/6-458Z
106	M24308/6-497Z	M2000/6-497Z	High Density	26	✗	✗	M24308/6-459Z
107	M24308/6-498Z	M2000/6-498Z	High Density	44	✗	✗	M24308/6-460Z
108	M24308/6-499Z	M2000/6-499Z	High Density	62	✗	✗	M24308/6-461Z
109	M24308/6-500Z	M2000/6-500Z	High Density	78	✗	✗	M24308/6-462Z
110	M24308/6-501Z	M2000/6-501Z	High Density	104	✗	✗	M24308/6-463Z
111	M24308/6-518	M2000/2-518	Standard	9	✓	✗	M24308/6-518
112	M24308/6-519	M2000/6-519	Standard	15	✓	✗	M24308/6-519
113	M24308/6-520	M2000/6-520	Standard	25	✓	✗	M24308/6-520
114	M24308/6-521	M2000/6-521	Standard	37	✓	✗	M24308/6-521
115	M24308/6-522	M2000/6-522	Standard	50	✓	✗	M24308/6-522
116	M24308/6-529	M2000/6-529	Standard	9	✓	✗	M24308/6-518
117	M24308/6-530	M2000/6-530	Standard	15	✓	✗	M24308/6-519
118	M24308/6-531	M2000/6-531	Standard	25	✓	✗	M24308/6-520
119	M24308/6-532	M2000/6-532	Standard	37	✓	✗	M24308/6-521
120	M24308/6-533	M2000/6-533	Standard	50	✓	✗	M24308/6-522
121	M24308/6-523	M2000/6-523	High Density	15	✓	✗	M24308/6-523
122	M24308/6-524	M2000/6-524	High Density	26	✓	✗	M24308/6-524
123	M24308/6-525	M2000/6-525	High Density	44	✓	✗	M24308/6-525
124	M24308/6-526	M2000/6-526	High Density	62	✓	✗	M24308/6-526
125	M24308/6-527	M2000/6-527	High Density	78	✓	✗	M24308/6-527
126	M24308/6-528	M2000/6-528	High Density	104	✓	✗	M24308/6-528
127	M24308/6-534	M2000/6-534	High Density	15	✓	✓	M24308/6-523
128	M24308/6-535	M2000/6-535	High Density	26	✓	✓	M24308/6-524
129	M24308/6-536	M2000/6-536	High Density	44	✓	✓	M24308/6-525
130	M24308/6-537	M2000/6-537	High Density	62	✓	✓	M24308/6-526
131	M24308/6-538	M2000/6-538	High Density	78	✓	✓	M24308/6-527
132	M24308/6-539	M2000/6-539	High Density	104	✓	✓	M24308/6-528

✓ – Included with connector

✗ – Not included with connector



Sr. No.	Military Designation	Manufacturers Designation	Type	No. of Pins	Crimp Contact	I R Tool	Marking On The Connector
133	M24308/6-551	M2000/6-551	Standard	9	✓	✗	M24308/6-551
134	M24308/6-552	M2000/6-552	Standard	15	✓	✗	M24308/6-552
135	M24308/6-553	M2000/6-553	Standard	25	✓	✗	M24308/6-553
136	M24308/6-554	M2000/6-554	Standard	37	✓	✗	M24308/6-554
137	M24308/6-555	M2000/6-555	Standard	50	✓	✗	M24308/6-555
138	M24308/6-562	M2000/6-562	Standard	9	✓	✓	M24308/6-551
139	M24308/6-563	M2000/6-563	Standard	15	✓	✓	M24308/6-552
140	M24308/6-564	M2000/6-564	Standard	25	✓	✓	M24308/6-553
141	M24308/6-565	M2000/6-565	Standard	37	✓	✓	M24308/6-554
142	M24308/6-566	M2000/6-566	Standard	50	✓	✓	M24308/6-555
143	M24308/6-573	M2000/6-573	Standard	9	✗	✗	M24308/6-551
144	M24308/6-574	M2000/6-574	Standard	15	✗	✗	M24308/6-552
145	M24308/6-575	M2000/6-575	Standard	25	✗	✗	M24308/6-553
146	M24308/6-576	M2000/6-576	Standard	37	✗	✗	M24308/6-554
147	M24308/6-577	M2000/6-577	Standard	50	✗	✗	M24308/6-555
148	M24308/6-556	M2000/6-556	High Density	15	✓	✗	M24308/6-556
149	M24308/6-557	M2000/6-557	High Density	26	✓	✗	M24308/6-557
150	M24308/6-558	M2000/6-558	High Density	44	✓	✗	M24308/6-558
151	M24308/6-559	M2000/6-559	High Density	62	✓	✗	M24308/6-559
152	M24308/6-560	M2000/6-560	High Density	78	✓	✗	M24308/6-560
153	M24308/6-561	M2000/6-561	High Density	104	✓	✗	M24308/6-561
154	M24308/6-567	M2000/6-567	High Density	15	✓	✓	M24308/6-556
155	M24308/6-568	M2000/6-568	High Density	26	✓	✓	M24308/6-557
156	M24308/6-569	M2000/6-569	High Density	44	✓	✓	M24308/6-558
157	M24308/6-570	M2000/6-570	High Density	62	✓	✓	M24308/6-559
158	M24308/6-571	M2000/6-571	High Density	78	✓	✓	M24308/6-560
159	M24308/6-572	M2000/6-572	High Density	104	✓	✓	M24308/6-561
160	M24308/6-578	M2000/6-578	High Density	15	✗	✗	M24308/6-556
161	M24308/6-579	M2000/6-579	High Density	26	✗	✗	M24308/6-557
162	M24308/6-580	M2000/6-580	High Density	44	✗	✗	M24308/6-558
163	M24308/6-581	M2000/6-581	High Density	62	✗	✗	M24308/6-559
164	M24308/6-582	M2000/6-582	High Density	78	✗	✗	M24308/6-560
165	M24308/6-583	M2000/6-583	High Density	104	✗	✗	M24308/6-561

✓ – Included with connector

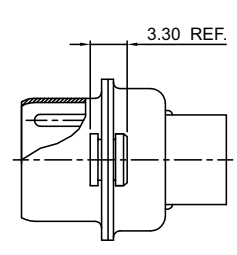
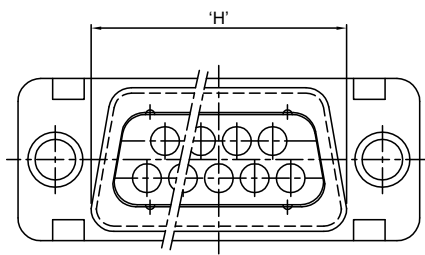
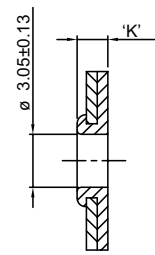
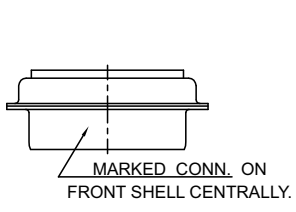
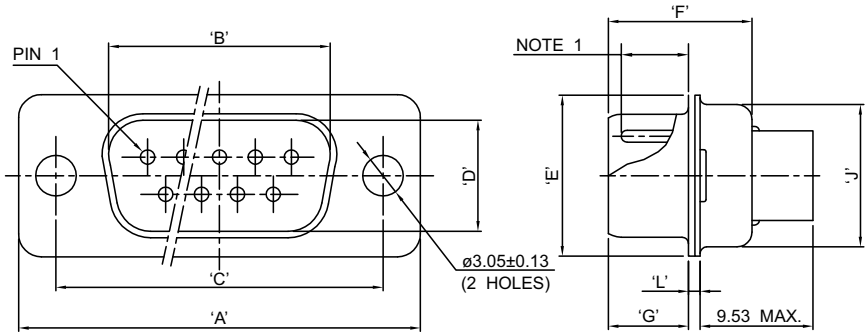
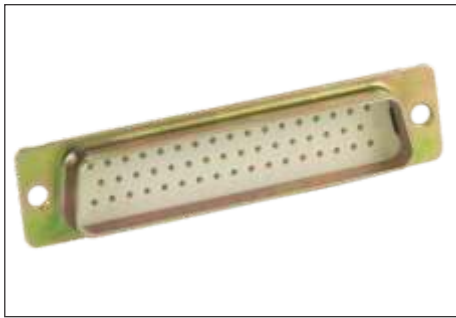
✗ – Not included with connector

Sr. No.	Military Designation	Manufacturers Designation	Type	No. of Pins	Crimp Contact	I R Tool	Marking On The Connector
166	M24308/6-562	M2000/6-562	Standard	9	✓	✓	M24308/6-551
167	M24308/6-563	M2000/6-563	Standard	15	✓	✓	M24308/6-552
168	M24308/6-564	M2000/6-564	Standard	25	✓	✓	M24308/6-553
169	M24308/6-565	M2000/6-565	Standard	37	✓	✓	M24308/6-554
170	M24308/6-566	M2000/6-566	Standard	50	✓	✓	M24308/6-555
171	M24308/6-573	M2000/6-573	Standard	9	✗	✗	M24308/6-551
172	M24308/6-574	M2000/6-574	Standard	15	✗	✗	M24308/6-552
173	M24308/6-575	M2000/6-575	Standard	25	✗	✗	M24308/6-553
174	M24308/6-576	M2000/6-576	Standard	37	✗	✗	M24308/6-554
175	M24308/6-577	M2000/6-577	Standard	50	✗	✗	M24308/6-555
176	M24308/6-556	M2000/6-556	High Density	15	✓	✗	M24308/6-556
177	M24308/6-557	M2000/6-557	High Density	26	✓	✗	M24308/6-557
178	M24308/6-558	M2000/6-558	High Density	44	✓	✗	M24308/6-558
179	M24308/6-559	M2000/6-559	High Density	62	✓	✗	M24308/6-559
180	M24308/6-560	M2000/6-560	High Density	78	✓	✗	M24308/6-560
181	M24308/6-561	M2000/6-561	High Density	104	✓	✗	M24308/6-561
182	M24308/6-567	M2000/6-567	High Density	15	✓	✓	M24308/6-556
183	M24308/6-568	M2000/6-568	High Density	26	✓	✓	M24308/6-557
184	M24308/6-569	M2000/6-569	High Density	44	✓	✓	M24308/6-558
185	M24308/6-570	M2000/6-570	High Density	62	✓	✓	M24308/6-559
186	M24308/6-571	M2000/6-571	High Density	78	✓	✓	M24308/6-560
187	M24308/6-572	M2000/6-572	High Density	104	✓	✓	M24308/6-561
188	M24308/6-578	M2000/6-578	High Density	15	✗	✗	M24308/6-556
189	M24308/6-579	M2000/6-579	High Density	26	✗	✗	M24308/6-557
190	M24308/6-580	M2000/6-580	High Density	44	✗	✗	M24308/6-558
191	M24308/6-581	M2000/6-581	High Density	62	✗	✗	M24308/6-559
192	M24308/6-582	M2000/6-582	High Density	78	✗	✗	M24308/6-560
193	M24308/6-583	M2000/6-583	High Density	104	✗	✗	M24308/6-561

✓ – Included with connector

✗ – Not included with connector

## D-SUB PLUG CONNECTOR ASSEMBLY WITH CRIMP PIN CONTACT (09 TO 50 PIN)



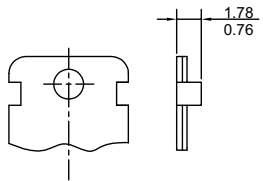
STD-THROUGH HOLE.

DIMENSION TABLE :

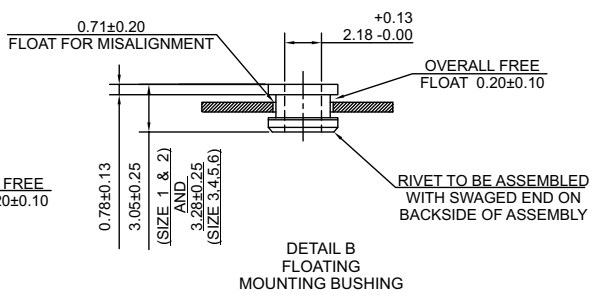
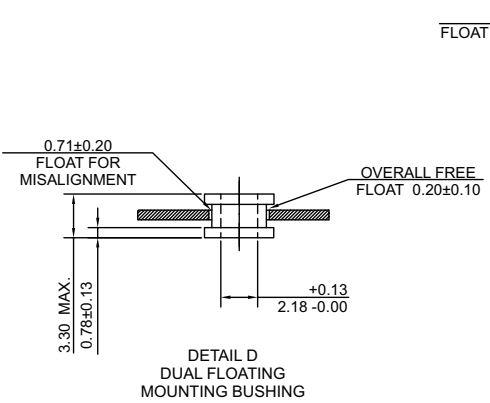
SHELL SIZE	STANDARD DENSITY	'A'	'B'	'C'	'D'	'E'	'F'	'G'	'H'	'J'	'K'	'L'
	NO. OF PINS											
1	09	30.43	16.79	24.87	8.23	12.17	10.46	5.82	19.02	10.46	0.89	0.51
		31.19	17.04	25.12	8.48	12.93	10.97	6.12	19.53	10.97	1.52	1.02
2	15	38.76	25.12	33.20	8.23	12.17	10.46	5.82	27.25	10.46	0.89	0.51
		39.52	25.37	33.45	8.48	12.93	10.97	6.12	27.76	10.97	1.52	1.02
3	25	52.65	38.84	46.91	8.23	12.17	10.57	5.69	41.02	10.46	1.27	0.74
		53.42	39.09	47.17	8.48	12.93	11.07	5.99	41.53	10.97	1.78	1.24
4	37	68.94	55.30	63.37	8.23	12.17	10.57	5.69	57.45	10.46	1.27	0.74
		69.70	55.55	63.63	8.48	12.93	11.07	5.99	57.96	10.97	1.78	1.24
5	50	66.55	52.68	60.99	11.07	14.99	10.57	5.69	55.07	13.31	1.27	0.74
		67.31	52.93	61.24	11.33	15.75	11.07	5.99	55.58	13.82	1.78	1.24

NOTES :

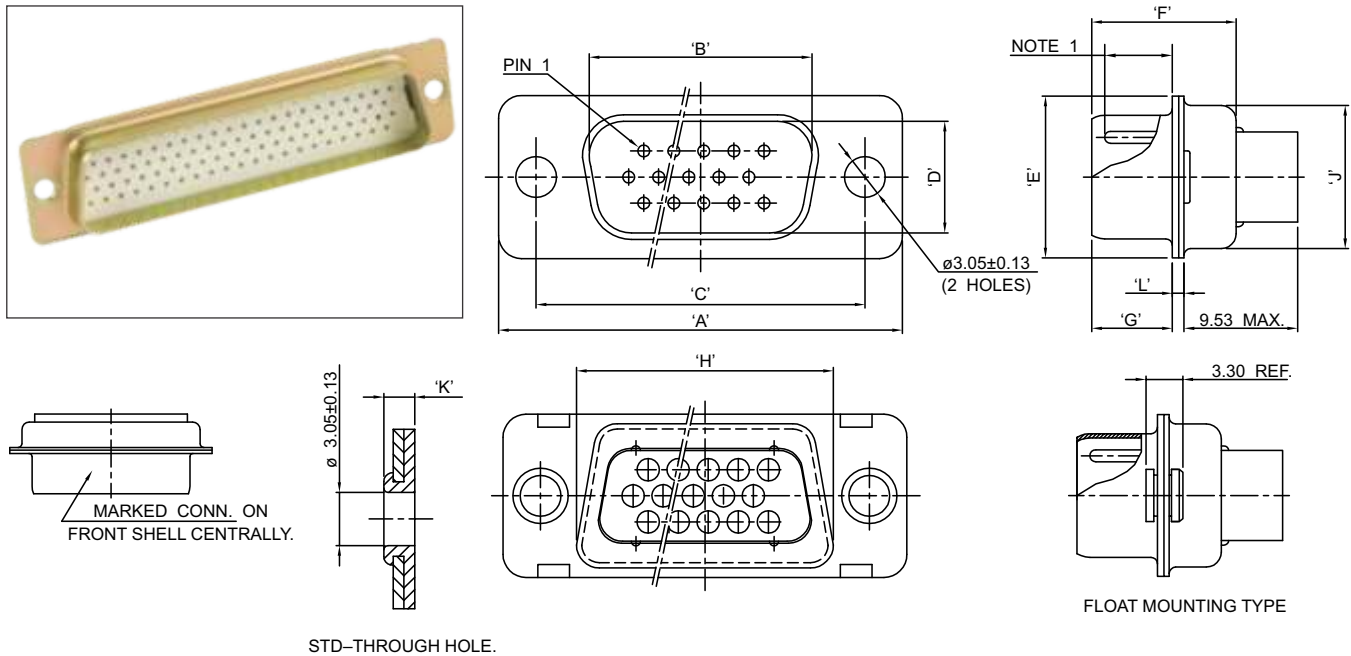
1. DIMENSION ARE 3.94MM MIN. (FOR SIZE 3,4,5) AND 4.17MM MIN. (FOR SIZE 1,2)
2. CONTACT SHOWS ONLY FOR REFERENCE,



ALTERNATE METHOD OF SECURING SHELL HALVES



## HDD-SUB SOCKET CONNECTOR ASSEMBLY WITH CRIMP PIN CONTACT (15 TO 104 PIN)

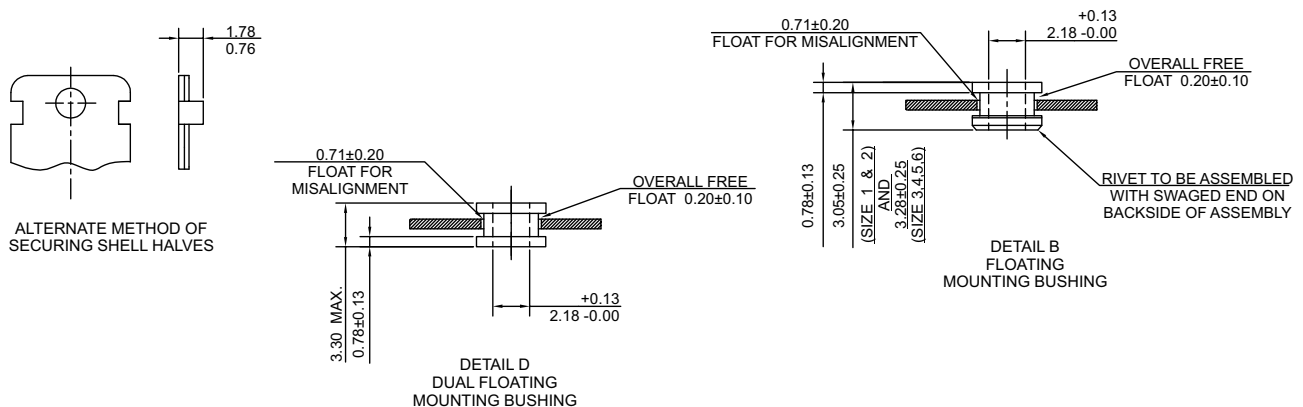


DIMENSION TABLE :

SHELL SIZE	HIGH DENSITY NO. OF PINS	'A'	'B'	'C'	'D'	'E'	'F'	'G'	'H'	'J'	'K'	'L'
		1	15	30.43 31.19	16.79 17.04	24.87 25.12	8.23 8.48	12.17 12.93	10.46 10.97	5.82 6.12	19.02 19.53	10.46 10.97
2	26	38.76 39.52	25.12 25.37	33.20 33.45	8.23 8.48	12.17 12.93	10.46 10.97	5.82 6.12	27.25 27.76	10.46 10.97	0.89 1.52	0.51 1.02
3	44	52.65 53.42	38.84 39.09	46.91 47.17	8.23 8.48	12.17 12.93	10.57 11.07	5.99 5.69	41.02 41.53	10.46 10.97	1.27 1.78	0.74 1.24
4	62	68.94 69.70	55.30 55.55	63.37 63.63	8.23 8.48	12.17 12.93	10.57 11.07	5.69 5.99	57.45 57.96	10.46 10.97	1.27 1.78	0.74 1.24
5	78	66.55 67.31	52.68 52.93	60.99 61.24	11.07 11.33	14.99 15.75	10.57 11.07	5.69 5.99	55.07 55.58	13.31 13.82	1.27 1.78	0.74 1.24
6	104	68.94 69.70	56.06 56.31	63.37 63.63	12.65 12.90	16.59 17.35	10.57 11.07	5.69 5.99	58.22 58.72	14.88 15.39	1.27 1.78	0.74 1.24

NOTES :

1. DIMENSION ARE 3.94MM MINIMUM (FOR SIZE 3,4,5) AND 4.17MM MINIMUM (FOR SIZE 1,2)
2. CONTACT SHOWS ONLY FOR REFERENCE



Sr. No.	Military Designation	Manufacturers Designation	Type	No. of Pins	Crimp Contact	I R Tool	Marking On The Connector
1	M24308/4-1F	M2000/4-1F	Standard	9	✓	✗	M24308/4-1F
2	M24308/4-2F	M2000/4-2F	Standard	15	✓	✗	M24308/4-2F
3	M24308/4-3F	M2000/4-3F	Standard	25	✓	✗	M24308/4-3F
4	M24308/4-4F	M2000/4-4F	Standard	37	✓	✗	M24308/4-4F
5	M24308/4-5F	M2000/4-5F	Standard	50	✓	✗	M24308/4-5F
6	M24308/4-6F	M2000/4-6F	Standard	9	✓	✓	M24308/4-1F
7	M24308/4-7F	M2000/4-7F	Standard	15	✓	✓	M24308/4-2F
8	M24308/4-8F	M2000/4-8F	Standard	25	✓	✓	M24308/4-3F
9	M24308/4-9F	M2000/4-9F	Standard	37	✓	✓	M24308/4-4F
10	M24308/4-10F	M2000/4-10F	Standard	50	✓	✓	M24308/4-5F
11	M24308/4-259F	M2000/4-259F	Standard	9	✗	✗	M24308/4-1F
12	M24308/4-260F	M2000/4-260F	Standard	15	✗	✗	M24308/4-2F
13	M24308/4-261F	M2000/4-261F	Standard	25	✗	✗	M24308/4-3F
14	M24308/4-262F	M2000/4-262F	Standard	37	✗	✗	M24308/4-4F
15	M24308/4-263F	M2000/4-263F	Standard	50	✗	✗	M24308/4-5F
16	M24308/4-11F	M2000/4-11F	High Density	15	✓	✗	M24308/4-11F
17	M24308/4-12F	M2000/4-12F	High Density	26	✓	✗	M24308/4-12F
18	M24308/4-13F	M2000/4-13F	High Density	44	✓	✗	M24308/4-13F
19	M24308/4-14F	M2000/4-14F	High Density	62	✓	✗	M24308/4-14F
20	M24308/4-15F	M2000/4-15F	High Density	78	✓	✗	M24308/4-15F
21	M24308/4-16F	M2000/4-16F	High Density	104	✓	✗	M24308/4-16F
22	M24308/4-17F	M2000/4-17F	High Density	15	✓	✓	M24308/4-11F
23	M24308/4-18F	M2000/4-18F	High Density	26	✓	✓	M24308/4-12F
24	M24308/4-19F	M2000/4-19F	High Density	44	✓	✓	M24308/4-13F
25	M24308/4-20F	M2000/4-20F	High Density	62	✓	✓	M24308/4-14F
26	M24308/4-21F	M2000/4-21F	High Density	78	✓	✓	M24308/4-15F
27	M24308/4-22F	M2000/4-22F	High Density	104	✓	✓	M24308/4-16F
28	M24308/4-264F	M2000/4-264F	High Density	15	✗	✗	M24308/4-11F
29	M24308/4-265F	M2000/4-265F	High Density	26	✗	✗	M24308/4-12F
30	M24308/4-266F	M2000/4-266F	High Density	44	✗	✗	M24308/4-13F
31	M24308/4-267F	M2000/4-267F	High Density	62	✗	✗	M24308/4-14F
32	M24308/4-268F	M2000/4-268F	High Density	78	✗	✗	M24308/4-15F
33	M24308/4-269F	M2000/4-269F	High Density	104	✗	✗	M24308/4-16F

✓ – Included with connector

✗ – Not included with connector

Sr. No.	Military Designation	Manufacturers Designation	Type	No. of Pins	Crimp Contact	I R Tool	Marking On The Connector
34	M24308/4-1Z	M2000/4-1Z	Standard	9	✓	✗	M24308/4-1Z
35	M24308/4-2Z	M2000/4-2Z	Standard	15	✓	✗	M24308/4-2Z
36	M24308/4-3Z	M2000/4-3Z	Standard	25	✓	✗	M24308/4-3Z
37	M24308/4-4Z	M2000/4-4Z	Standard	37	✓	✗	M24308/4-4Z
38	M24308/4-5Z	M2000/4-5Z	Standard	50	✓	✗	M24308/4-5Z
39	M24308/4-6Z	M2000/4-6Z	Standard	9	✓	✓	M24308/4-1Z
40	M24308/4-7Z	M2000/4-7Z	Standard	15	✓	✓	M24308/4-2Z
41	M24308/4-8Z	M2000/4-8Z	Standard	25	✓	✓	M24308/4-3Z
42	M24308/4-9Z	M2000/4-9Z	Standard	37	✓	✓	M24308/4-4Z
43	M24308/4-10Z	M2000/4-10Z	Standard	50	✓	✓	M24308/4-5Z
44	M24308/4-259Z	M2000/4-259Z	Standard	9	✗	✗	M24308/4-1Z
45	M24308/4-260Z	M2000/4-260Z	Standard	15	✗	✗	M24308/4-2Z
46	M24308/4-261Z	M2000/4-261Z	Standard	25	✗	✗	M24308/4-3Z
47	M24308/4-262Z	M2000/4-262Z	Standard	37	✗	✗	M24308/4-4Z
48	M24308/4-263Z	M2000/4-263Z	Standard	50	✗	✗	M24308/4-5Z
49	M24308/4-11Z	M2000/4-11Z	High Density	15	✓	✗	M24308/4-11Z
50	M24308/4-12Z	M2000/4-12Z	High Density	26	✓	✗	M24308/4-12Z
51	M24308/4-13Z	M2000/4-13Z	High Density	44	✓	✗	M24308/4-13Z
52	M24308/4-14Z	M2000/4-14Z	High Density	62	✓	✗	M24308/4-14Z
53	M24308/4-15Z	M2000/4-15Z	High Density	78	✓	✗	M24308/4-15Z
54	M24308/4-16Z	M2000/4-16Z	High Density	104	✓	✗	M24308/4-16Z
55	M24308/4-17Z	M2000/4-17Z	High Density	15	✓	✓	M24308/4-11Z
56	M24308/4-18Z	M2000/4-18Z	High Density	26	✓	✓	M24308/4-12Z
57	M24308/4-19Z	M2000/4-19Z	High Density	44	✓	✓	M24308/4-13Z
58	M24308/4-20Z	M2000/4-20Z	High Density	62	✓	✓	M24308/4-14Z
59	M24308/4-21Z	M2000/4-21Z	High Density	78	✓	✓	M24308/4-15Z
60	M24308/4-22Z	M2000/4-22Z	High Density	104	✓	✓	M24308/4-16Z
61	M24308/4-264Z	M2000/4-264Z	High Density	15	✗	✗	M24308/4-11Z
62	M24308/4-265Z	M2000/4-265Z	High Density	26	✗	✗	M24308/4-12Z
63	M24308/4-266Z	M2000/4-266Z	High Density	44	✗	✗	M24308/4-13Z
64	M24308/4-267Z	M2000/4-267Z	High Density	62	✗	✗	M24308/4-14Z
65	M24308/4-268Z	M2000/4-268Z	High Density	78	✗	✗	M24308/4-15Z
66	M24308/4-269Z	M2000/4-269Z	High Density	104	✗	✗	M24308/4-16Z

✓ – Included with connector

✗ – Not included with connector

Sr. No.	Military Designation	Manufacturers Designation	Type	No. of Pins	Crimp Contact	I R Tool	Marking On The Connector
67	M24308/4-1K	M2000/4-1K	Standard	9	✓	✗	M24308/4-1K
68	M24308/4-2K	M2000/4-2K	Standard	15	✓	✗	M24308/4-2K
69	M24308/4-3K	M2000/4-3K	Standard	25	✓	✗	M24308/4-3K
70	M24308/4-4K	M2000/4-4K	Standard	37	✓	✗	M24308/4-4K
71	M24308/4-5K	M2000/4-5K	Standard	50	✓	✗	M24308/4-5K
72	M24308/4-6K	M2000/4-6K	Standard	9	✓	✓	M24308/4-1K
73	M24308/4-7K	M2000/4-7K	Standard	15	✓	✓	M24308/4-2K
74	M24308/4-8K	M2000/4-8K	Standard	25	✓	✓	M24308/4-3K
75	M24308/4-9K	M2000/4-9K	Standard	37	✓	✓	M24308/4-4K
76	M24308/4-10K	M2000/4-10K	Standard	50	✓	✓	M24308/4-5K
77	M24308/4-259K	M2000/4-259K	Standard	9	✗	✗	M24308/4-1K
78	M24308/4-260K	M2000/4-260K	Standard	15	✗	✗	M24308/4-2K
79	M24308/4-261K	M2000/4-261K	Standard	25	✗	✗	M24308/4-3K
80	M24308/4-262K	M2000/4-262K	Standard	37	✗	✗	M24308/4-4K
81	M24308/4-263K	M2000/4-263K	Standard	50	✗	✗	M24308/4-5K
82	M24308/4-11K	M2000/4-11K	High Density	15	✓	✗	M24308/4-11K
83	M24308/4-12K	M2000/4-12K	High Density	26	✓	✗	M24308/4-12K
84	M24308/4-13K	M2000/4-13K	High Density	44	✓	✗	M24308/4-13K
85	M24308/4-14K	M2000/4-14K	High Density	62	✓	✗	M24308/4-14K
86	M24308/4-15K	M2000/4-15K	High Density	78	✓	✗	M24308/4-15K
87	M24308/4-16K	M2000/4-16K	High Density	104	✓	✗	M24308/4-16K
88	M24308/4-17K	M2000/4-17K	High Density	15	✓	✓	M24308/4-11K
89	M24308/4-18K	M2000/4-18K	High Density	26	✓	✓	M24308/4-12K
90	M24308/4-19K	M2000/4-19K	High Density	44	✓	✓	M24308/4-13K
91	M24308/4-20K	M2000/4-20K	High Density	62	✓	✓	M24308/4-14K
92	M24308/4-21K	M2000/4-21K	High Density	78	✓	✓	M24308/4-15K
93	M24308/4-22K	M2000/4-22K	High Density	104	✓	✓	M24308/4-16K
94	M24308/4-264K	M2000/4-264K	High Density	15	✗	✗	M24308/4-11K
95	M24308/4-265K	M2000/4-265K	High Density	26	✗	✗	M24308/4-12K
96	M24308/4-266K	M2000/4-266K	High Density	44	✗	✗	M24308/4-13K
97	M24308/4-267K	M2000/4-267K	High Density	62	✗	✗	M24308/4-14K
98	M24308/4-268K	M2000/4-268K	High Density	78	✗	✗	M24308/4-15K
99	M24308/4-269K	M2000/4-269K	High Density	104	✗	✗	M24308/4-16K

✓ – Included with connector

✗ – Not included with connector

Sr. No.	Military Designation	Manufacturers Designation	Type	No. of Pins	Crimp Contact	I R Tool	Marking On The Connector
100	M24308/4-335	M2000/4-335	Standard	9	✓	✗	M24308/4-335
101	M24308/4-336	M2000/4-336	Standard	15	✓	✗	M24308/4-336
102	M24308/4-337	M2000/4-337	Standard	25	✓	✗	M24308/4-337
103	M24308/4-338	M2000/4-338	Standard	37	✓	✗	M24308/4-338
104	M24308/4-339	M2000/4-339	Standard	50	✓	✗	M24308/4-339
105	M24308/4-340	M2000/4-340	Standard	9	✓	✓	M24308/4-335
106	M24308/4-341	M2000/4-341	Standard	15	✓	✓	M24308/4-336
107	M24308/4-342	M2000/4-342	Standard	25	✓	✓	M24308/4-337
108	M24308/4-343	M2000/4-343	Standard	37	✓	✓	M24308/4-338
109	M24308/4-344	M2000/4-344	Standard	50	✓	✓	M24308/4-339
110	M24308/4-357	M2000/4-357	Standard	9	✗	✗	M24308/4-335
111	M24308/4-358	M2000/4-358	Standard	15	✗	✗	M24308/4-336
112	M24308/4-359	M2000/4-359	Standard	25	✗	✗	M24308/4-337
113	M24308/4-360	M2000/4-360	Standard	37	✗	✗	M24308/4-338
114	M24308/4-361	M2000/4-361	Standard	50	✗	✗	M24308/4-339
115	M24308/4-345	M2000/4-345	High Density	15	✓	✗	M24308/4-345
116	M24308/4-346	M2000/4-346	High Density	26	✓	✗	M24308/4-346
117	M24308/4-347	M2000/4-347	High Density	44	✓	✗	M24308/4-347
118	M24308/4-348	M2000/4-348	High Density	62	✓	✗	M24308/4-348
119	M24308/4-349	M2000/4-349	High Density	78	✓	✗	M24308/4-349
120	M24308/4-350	M2000/4-350	High Density	104	✓	✗	M24308/4-350
121	M24308/4-351	M2000/4-351	High Density	15	✓	✓	M24308/4-345
122	M24308/4-352	M2000/4-352	High Density	26	✓	✓	M24308/4-346
123	M24308/4-353	M2000/4-353	High Density	44	✓	✓	M24308/4-347
124	M24308/4-354	M2000/4-354	High Density	62	✓	✓	M24308/4-348
125	M24308/4-355	M2000/4-355	High Density	78	✓	✓	M24308/4-349
126	M24308/4-356	M2000/4-356	High Density	104	✓	✓	M24308/4-350
127	M24308/4-362	M2000/4-362	High Density	15	✗	✗	M24308/4-345
128	M24308/4-363	M2000/4-363	High Density	26	✗	✗	M24308/4-346
129	M24308/4-364	M2000/4-364	High Density	44	✗	✗	M24308/4-347
130	M24308/4-365	M2000/4-365	High Density	62	✗	✗	M24308/4-348
131	M24308/4-366	M2000/4-366	High Density	78	✗	✗	M24308/4-349
132	M24308/4-367	M2000/4-367	High Density	104	✗	✗	M24308/4-350

✓ – Included with connector

✗ – Not included with connector



Sr. No.	Military Designation	Manufacturers Designation	Type	No. of Pins	Crimp Contact	I R Tool	Marking On The Connector
1	M24308/8-1F	M2000/8-1F	Standard	9	✓	✗	M24308/8-1F
2	M24308/8-2F	M2000/8-2F	Standard	15	✓	✗	M24308/8-2F
3	M24308/8-3F	M2000/8-3F	Standard	25	✓	✗	M24308/8-3F
4	M24308/8-4F	M2000/8-4F	Standard	37	✓	✗	M24308/8-4F
5	M24308/8-5F	M2000/8-5F	Standard	50	✓	✗	M24308/8-5F
6	M24308/8-6F	M2000/8-6F	Standard	9	✓	✓	M24308/8-1F
7	M24308/8-7F	M2000/8-7F	Standard	15	✓	✓	M24308/8-2F
8	M24308/8-8F	M2000/8-8F	Standard	25	✓	✓	M24308/8-3F
9	M24308/8-9F	M2000/8-9F	Standard	37	✓	✓	M24308/8-4F
10	M24308/8-10F	M2000/8-10F	Standard	50	✓	✓	M24308/8-5F
11	M24308/8-259F	M2000/8-259F	Standard	9	✗	✗	M24308/8-1F
12	M24308/8-260F	M2000/8-260F	Standard	15	✗	✗	M24308/8-2F
13	M24308/8-261F	M2000/8-261F	Standard	25	✗	✗	M24308/8-3F
14	M24308/8-262F	M2000/8-262F	Standard	37	✗	✗	M24308/8-4F
15	M24308/8-263F	M2000/8-263F	Standard	50	✗	✗	M24308/8-5F
16	M24308/8-11F	M2000/8-11F	High Density	15	✓	✗	M24308/8-11F
17	M24308/8-12F	M2000/8-12F	High Density	26	✓	✗	M24308/8-12F
18	M24308/8-13F	M2000/8-13F	High Density	44	✓	✗	M24308/8-13F
19	M24308/8-14F	M2000/8-14F	High Density	62	✓	✗	M24308/8-14F
20	M24308/8-15F	M2000/8-15F	High Density	78	✓	✗	M24308/8-15F
21	M24308/8-16F	M2000/8-16F	High Density	104	✓	✗	M24308/8-16F
22	M24308/8-17F	M2000/8-17F	High Density	15	✓	✓	M24308/8-11F
23	M24308/8-18F	M2000/8-18F	High Density	26	✓	✓	M24308/8-12F
24	M24308/8-19F	M2000/8-19F	High Density	44	✓	✓	M24308/8-13F
25	M24308/8-20F	M2000/8-20F	High Density	62	✓	✓	M24308/8-14F
26	M24308/8-21F	M2000/8-21F	High Density	78	✓	✓	M24308/8-15F
27	M24308/8-22F	M2000/8-22F	High Density	104	✓	✓	M24308/8-16F
28	M24308/8-264F	M2000/8-264F	High Density	15	✗	✗	M24308/8-11F
29	M24308/8-265F	M2000/8-265F	High Density	26	✗	✗	M24308/8-12F
30	M24308/8-266F	M2000/8-266F	High Density	44	✗	✗	M24308/8-13F
31	M24308/8-267F	M2000/8-267F	High Density	62	✗	✗	M24308/8-14F
32	M24308/8-268F	M2000/8-268F	High Density	78	✗	✗	M24308/8-15F
33	M24308/8-269F	M2000/8-269F	High Density	104	✗	✗	M24308/8-16F

✓ – Included with connector

✗ – Not included with connector

Sr. No.	Military Designation	Manufacturers Designation	Type	No. of Pins	Crimp Contact	I R Tool	Marking On The Connector
34	M24308/8-1Z	M2000/8-1Z	Standard	9	✓	✗	M24308/8-1Z
35	M24308/8-2Z	M2000/8-2Z	Standard	15	✓	✗	M24308/8-2Z
36	M24308/8-3Z	M2000/8-3Z	Standard	25	✓	✗	M24308/8-3Z
37	M24308/8-4Z	M2000/8-4Z	Standard	37	✓	✗	M24308/8-4Z
38	M24308/8-5Z	M2000/8-5Z	Standard	50	✓	✗	M24308/8-5Z
39	M24308/8-6Z	M2000/8-6Z	Standard	9	✓	✓	M24308/8-1Z
40	M24308/8-7Z	M2000/8-7Z	Standard	15	✓	✓	M24308/8-2Z
41	M24308/8-8Z	M2000/8-8Z	Standard	25	✓	✓	M24308/8-3Z
42	M24308/8-9Z	M2000/8-9Z	Standard	37	✓	✓	M24308/8-4Z
43	M24308/8-10Z	M2000/8-10Z	Standard	50	✓	✓	M24308/8-5Z
44	M24308/8-259Z	M2000/8-259Z	Standard	9	✗	✗	M24308/8-1Z
45	M24308/8-260Z	M2000/8-260Z	Standard	15	✗	✗	M24308/8-2Z
46	M24308/8-261Z	M2000/8-261Z	Standard	25	✗	✗	M24308/8-3Z
47	M24308/8-262Z	M2000/8-262Z	Standard	37	✗	✗	M24308/8-4Z
48	M24308/8-263Z	M2000/8-263Z	Standard	50	✗	✗	M24308/8-5Z
49	M24308/8-11Z	M2000/8-11Z	High Density	15	✓	✗	M24308/8-11Z
50	M24308/8-12Z	M2000/8-12Z	High Density	26	✓	✗	M24308/8-12Z
51	M24308/8-13Z	M2000/8-13Z	High Density	44	✓	✗	M24308/8-13Z
52	M24308/8-14Z	M2000/8-14Z	High Density	62	✓	✗	M24308/8-14Z
53	M24308/8-15Z	M2000/8-15Z	High Density	78	✓	✗	M24308/8-15Z
54	M24308/8-16Z	M2000/8-16Z	High Density	104	✓	✗	M24308/8-16Z
55	M24308/8-17Z	M2000/8-17Z	High Density	15	✓	✓	M24308/8-11Z
56	M24308/8-18Z	M2000/8-18Z	High Density	26	✓	✓	M24308/8-12Z
57	M24308/8-19Z	M2000/8-19Z	High Density	44	✓	✓	M24308/8-13Z
58	M24308/8-20Z	M2000/8-20Z	High Density	62	✓	✓	M24308/8-14Z
59	M24308/8-21Z	M2000/8-21Z	High Density	78	✓	✓	M24308/8-15Z
60	M24308/8-22Z	M2000/8-22Z	High Density	104	✓	✓	M24308/8-16Z
61	M24308/8-264Z	M2000/8-264Z	High Density	15	✗	✗	M24308/8-11Z
62	M24308/8-265Z	M2000/8-265Z	High Density	26	✗	✗	M24308/8-12Z
63	M24308/8-266Z	M2000/8-266Z	High Density	44	✗	✗	M24308/8-13Z
64	M24308/8-267Z	M2000/8-267Z	High Density	62	✗	✗	M24308/8-14Z
65	M24308/8-268Z	M2000/8-268Z	High Density	78	✗	✗	M24308/8-15Z
66	M24308/8-269Z	M2000/8-269Z	High Density	104	✗	✗	M24308/8-16Z

✓ – Included with connector

✗ – Not included with connector

Sr. No.	Military Designation	Manufacturers Designation	Type	No. of Pins	Crimp Contact	I R Tool	Marking On The Connector
67	M24308/8-335	M2000/8-335	Standard	9	✓	✗	M24308/8-335
68	M24308/8-336	M2000/8-336	Standard	15	✓	✗	M24308/8-336
69	M24308/8-337	M2000/8-337	Standard	25	✓	✗	M24308/8-337
70	M24308/8-338	M2000/8-338	Standard	37	✓	✗	M24308/8-338
71	M24308/8-339	M2000/8-339	Standard	50	✓	✗	M24308/8-339
72	M24308/8-340	M2000/8-340	Standard	9	✓	✓	M24308/8-335
73	M24308/8-341	M2000/8-341	Standard	15	✓	✓	M24308/8-336
74	M24308/8-342	M2000/8-342	Standard	25	✓	✓	M24308/8-337
75	M24308/8-343	M2000/8-343	Standard	37	✓	✓	M24308/8-338
76	M24308/8-344	M2000/8-344	Standard	50	✓	✓	M24308/8-339
77	M24308/8-357	M2000/8-357	Standard	9	✗	✗	M24308/8-335
78	M24308/8-358	M2000/8-358	Standard	15	✗	✗	M24308/8-336
79	M24308/8-359	M2000/8-359	Standard	25	✗	✗	M24308/8-337
80	M24308/8-360	M2000/8-360	Standard	37	✗	✗	M24308/8-338
81	M24308/8-361	M2000/8-361	Standard	50	✗	✗	M24308/8-339
82	M24308/8-345	M2000/8-345	High Density	15	✓	✗	M24308/8-345
83	M24308/8-346	M2000/8-346	High Density	26	✓	✗	M24308/8-346
84	M24308/8-347	M2000/8-347	High Density	44	✓	✗	M24308/8-347
85	M24308/8-348	M2000/8-348	High Density	62	✓	✗	M24308/8-348
86	M24308/8-349	M2000/8-349	High Density	78	✓	✗	M24308/8-349
87	M24308/8-350	M2000/8-350	High Density	104	✓	✗	M24308/8-350
88	M24308/8-351	M2000/8-351	High Density	15	✓	✓	M24308/8-345
89	M24308/8-352	M2000/8-352	High Density	26	✓	✓	M24308/8-346
90	M24308/8-353	M2000/8-353	High Density	44	✓	✓	M24308/8-347
91	M24308/8-354	M2000/8-354	High Density	62	✓	✓	M24308/8-348
92	M24308/8-355	M2000/8-355	High Density	78	✓	✓	M24308/8-349
93	M24308/8-356	M2000/8-356	High Density	104	✓	✓	M24308/8-350
94	M24308/8-362	M2000/8-362	High Density	15	✗	✗	M24308/8-345
95	M24308/8-363	M2000/8-363	High Density	26	✗	✗	M24308/8-346
96	M24308/8-364	M2000/8-364	High Density	44	✗	✗	M24308/8-347
97	M24308/8-365	M2000/8-365	High Density	62	✗	✗	M24308/8-348
98	M24308/8-366	M2000/8-366	High Density	78	✗	✗	M24308/8-349
99	M24308/8-367	M2000/8-367	High Density	104	✗	✗	M24308/8-350

✓ – Included with connector

✗ – Not included with connector

Sr. No.	Military Designation	Manufacturers Designation	Type	No. of Pins	Crimp Contact	I R Tool	Marking On The Connector
1	M24308/4-302F	M2000/4-302F	Standard	9	✓	✗	M24308/4-302F
2	M24308/4-303F	M2000/4-303F	Standard	15	✓	✗	M24308/4-303F
3	M24308/4-304F	M2000/4-304F	Standard	25	✓	✗	M24308/4-304F
4	M24308/4-305F	M2000/4-305F	Standard	37	✓	✗	M24308/4-305F
5	M24308/4-306F	M2000/4-306F	Standard	50	✓	✗	M24308/4-306F
6	M24308/4-313F	M2000/4-313F	Standard	9	✓	✓	M24308/4-302F
7	M24308/4-314F	M2000/4-314F	Standard	15	✓	✓	M24308/4-303F
8	M24308/4-315F	M2000/4-315F	Standard	25	✓	✓	M24308/4-304F
9	M24308/4-316F	M2000/4-316F	Standard	37	✓	✓	M24308/4-305F
10	M24308/4-317F	M2000/4-317F	Standard	50	✓	✓	M24308/4-306F
11	M24308/4-324F	M2000/4-324F	Standard	9	✗	✗	M24308/4-302F
12	M24308/4-325F	M2000/4-325F	Standard	15	✗	✗	M24308/4-303F
13	M24308/4-326F	M2000/4-326F	Standard	25	✗	✗	M24308/4-304F
14	M24308/4-327F	M2000/4-327F	Standard	37	✗	✗	M24308/4-305F
15	M24308/4-328F	M2000/4-328F	Standard	50	✗	✗	M24308/4-306F
16	M24308/4-307F	M2000/4-307F	High Density	15	✓	✗	M24308/4-307F
17	M24308/4-308F	M2000/4-308F	High Density	26	✓	✗	M24308/4-308F
18	M24308/4-309F	M2000/4-309F	High Density	44	✓	✗	M24308/4-309F
19	M24308/4-310F	M2000/4-310F	High Density	62	✓	✗	M24308/4-310F
20	M24308/4-311F	M2000/4-311F	High Density	78	✓	✗	M24308/4-311F
21	M24308/4-312F	M2000/4-312F	High Density	104	✓	✗	M24308/4-312F
22	M24308/4-318F	M2000/4-318F	High Density	15	✓	✓	M24308/4-307F
23	M24308/4-319F	M2000/4-319F	High Density	26	✓	✓	M24308/4-308F
24	M24308/4-320F	M2000/4-320F	High Density	44	✓	✓	M24308/4-309F
25	M24308/4-321F	M2000/4-321F	High Density	62	✓	✓	M24308/4-310F
26	M24308/4-322F	M2000/4-322F	High Density	78	✓	✓	M24308/4-311F
27	M24308/4-323F	M2000/4-323F	High Density	104	✓	✓	M24308/4-312F
28	M24308/4-329F	M2000/4-329F	High Density	15	✗	✗	M24308/4-307F
29	M24308/4-330F	M2000/4-330F	High Density	26	✗	✗	M24308/4-308F
30	M24308/4-331F	M2000/4-331F	High Density	44	✗	✗	M24308/4-309F
31	M24308/4-332F	M2000/4-332F	High Density	62	✗	✗	M24308/4-310F
32	M24308/4-333F	M2000/4-333F	High Density	78	✗	✗	M24308/4-311F
33	M24308/4-334F	M2000/4-334F	High Density	104	✗	✗	M24308/4-312F

✓ – Included with connector

✗ – Not included with connector

Sr. No.	Military Designation	Manufacturers Designation	Type	No. of Pins	Crimp Contact	I R Tool	Marking On The Connector
34	M24308/4-435F	M2000/4-435F	Standard	9	✓	✗	M24308/4-435F
35	M24308/4-436F	M2000/4-436F	Standard	15	✓	✗	M24308/4-436F
36	M24308/4-437F	M2000/4-437F	Standard	25	✓	✗	M24308/4-437F
37	M24308/4-438F	M2000/4-438F	Standard	37	✓	✗	M24308/4-438F
38	M24308/4-439F	M2000/4-439F	Standard	50	✓	✗	M24308/4-439F
39	M24308/4-446F	M2000/4-446F	Standard	9	✓	✓	M24308/4-435F
40	M24308/4-447F	M2000/4-447F	Standard	15	✓	✓	M24308/4-436F
41	M24308/4-448F	M2000/4-448F	Standard	25	✓	✓	M24308/4-437F
42	M24308/4-449F	M2000/4-449F	Standard	37	✓	✓	M24308/4-438F
43	M24308/4-450F	M2000/4-450F	Standard	50	✓	✓	M24308/4-439F
44	M24308/4-457F	M2000/4-457F	Standard	9	✗	✗	M24308/4-435F
45	M24308/4-458F	M2000/4-458F	Standard	15	✗	✗	M24308/4-436F
46	M24308/4-459F	M2000/4-459F	Standard	25	✗	✗	M24308/4-437F
47	M24308/4-460F	M2000/4-460F	Standard	37	✗	✗	M24308/4-438F
48	M24308/4-461F	M2000/4-461F	Standard	50	✗	✗	M24308/4-439F
49	M24308/4-440F	M2000/4-440F	High Density	15	✓	✗	M24308/4-440F
50	M24308/4-441F	M2000/4-441F	High Density	26	✓	✗	M24308/4-441F
51	M24308/4-442F	M2000/4-442F	High Density	44	✓	✗	M24308/4-442F
52	M24308/4-443F	M2000/4-443F	High Density	62	✓	✗	M24308/4-443F
53	M24308/4-444F	M2000/4-444F	High Density	78	✓	✗	M24308/4-444F
54	M24308/4-445F	M2000/4-445F	High Density	104	✓	✗	M24308/4-445F
55	M24308/4-451F	M2000/4-451F	High Density	15	✓	✓	M24308/4-440F
56	M24308/4-452F	M2000/4-452F	High Density	26	✓	✓	M24308/4-441F
57	M24308/4-453F	M2000/4-453F	High Density	44	✓	✓	M24308/4-442F
58	M24308/4-454F	M2000/4-454F	High Density	62	✓	✓	M24308/4-443F
59	M24308/4-455F	M2000/4-455F	High Density	78	✓	✓	M24308/4-444F
60	M24308/4-456F	M2000/4-456F	High Density	104	✓	✓	M24308/4-445F
61	M24308/4-462F	M2000/4-462F	High Density	15	✗	✗	M24308/4-440F
62	M24308/4-463F	M2000/4-463F	High Density	26	✗	✗	M24308/4-441F
63	M24308/4-464F	M2000/4-464F	High Density	44	✗	✗	M24308/4-442F
64	M24308/4-465F	M2000/4-465F	High Density	62	✗	✗	M24308/4-443F
65	M24308/4-466F	M2000/4-466F	High Density	78	✗	✗	M24308/4-444F
66	M24308/4-467F	M2000/4-467F	High Density	104	✗	✗	M24308/4-445F

✓ – Included with connector

✗ – Not included with connector

Sr. No.	Military Designation	Manufacturers Designation	Type	No. of Pins	Crimp Contact	I R Tool	Marking On The Connector
67	M24308/4-302Z	M2000/4-302Z	Standard	9	✓	✗	M24308/4-302Z
68	M24308/4-303Z	M2000/4-303Z	Standard	15	✓	✗	M24308/4-303Z
69	M24308/4-304Z	M2000/4-304Z	Standard	25	✓	✗	M24308/4-304Z
70	M24308/4-305Z	M2000/4-305Z	Standard	37	✓	✗	M24308/4-305Z
71	M24308/4-306Z	M2000/4-306Z	Standard	50	✓	✗	M24308/4-306Z
72	M24308/4-313Z	M2000/4-313Z	Standard	9	✓	✓	M24308/4-302Z
73	M24308/4-314Z	M2000/4-314Z	Standard	15	✓	✓	M24308/4-303Z
74	M24308/4-315Z	M2000/4-315Z	Standard	25	✓	✓	M24308/4-304Z
75	M24308/4-316Z	M2000/4-316Z	Standard	37	✓	✓	M24308/4-305Z
76	M24308/4-317Z	M2000/4-317Z	Standard	50	✓	✓	M24308/4-306Z
77	M24308/4-324Z	M2000/4-324Z	Standard	9	✗	✗	M24308/4-302Z
78	M24308/4-325Z	M2000/4-325Z	Standard	15	✗	✗	M24308/4-303Z
79	M24308/4-326Z	M2000/4-326Z	Standard	25	✗	✗	M24308/4-304Z
80	M24308/4-327Z	M2000/4-327Z	Standard	37	✗	✗	M24308/4-305Z
81	M24308/4-328Z	M2000/4-328Z	Standard	50	✗	✗	M24308/4-306Z
82	M24308/4-307Z	M2000/4-307Z	High Density	15	✓	✗	M24308/4-307Z
83	M24308/4-308Z	M2000/4-308Z	High Density	26	✓	✗	M24308/4-308Z
84	M24308/4-309Z	M2000/4-309Z	High Density	44	✓	✗	M24308/4-309Z
85	M24308/4-310Z	M2000/4-310Z	High Density	62	✓	✗	M24308/4-310Z
86	M24308/4-311Z	M2000/4-311Z	High Density	78	✓	✗	M24308/4-311Z
87	M24308/4-312Z	M2000/4-312Z	High Density	104	✓	✗	M24308/4-312Z
88	M24308/4-318Z	M2000/4-318Z	High Density	15	✓	✓	M24308/4-307Z
89	M24308/4-319Z	M2000/4-319Z	High Density	26	✓	✓	M24308/4-308Z
90	M24308/4-320Z	M2000/4-320Z	High Density	44	✓	✓	M24308/4-309Z
91	M24308/4-321Z	M2000/4-321Z	High Density	62	✓	✓	M24308/4-310Z
92	M24308/4-322Z	M2000/4-322Z	High Density	78	✓	✓	M24308/4-311Z
93	M24308/4-323Z	M2000/4-323Z	High Density	104	✓	✓	M24308/4-312Z
94	M24308/4-329Z	M2000/4-329Z	High Density	15	✗	✗	M24308/4-307Z
95	M24308/4-330Z	M2000/4-330Z	High Density	26	✗	✗	M24308/4-308Z
96	M24308/4-331Z	M2000/4-331Z	High Density	44	✗	✗	M24308/4-309Z
97	M24308/4-332Z	M2000/4-332Z	High Density	62	✗	✗	M24308/4-310Z
98	M24308/4-333Z	M2000/4-333Z	High Density	78	✗	✗	M24308/4-311Z
99	M24308/4-334Z	M2000/4-334Z	High Density	104	✗	✗	M24308/4-312Z

✓ – Included with connector

✗ – Not included with connector

Sr. No.	Military Designation	Manufacturers Designation	Type	No. of Pins	Crimp Contact	I R Tool	Marking On The Connector
100	M24308/4-435Z	M2000/4-435Z	Standard	9	✓	✗	M24308/4-435Z
101	M24308/4-436Z	M2000/4-436Z	Standard	15	✓	✗	M24308/4-436Z
102	M24308/4-437Z	M2000/4-437Z	Standard	25	✓	✗	M24308/4-437Z
103	M24308/4-438Z	M2000/4-438Z	Standard	37	✓	✗	M24308/4-438Z
104	M24308/4-439Z	M2000/4-439Z	Standard	50	✓	✗	M24308/4-439Z
105	M24308/4-446Z	M2000/4-446Z	Standard	9	✓	✓	M24308/4-435Z
106	M24308/4-447Z	M2000/4-447Z	Standard	15	✓	✓	M24308/4-436Z
107	M24308/4-448Z	M2000/4-448Z	Standard	25	✓	✓	M24308/4-437Z
108	M24308/4-449Z	M2000/4-449Z	Standard	37	✓	✓	M24308/4-438Z
109	M24308/4-450Z	M2000/4-450Z	Standard	50	✓	✓	M24308/4-439Z
110	M24308/4-457Z	M2000/4-457Z	Standard	9	✗	✗	M24308/4-435Z
111	M24308/4-458Z	M2000/4-458Z	Standard	15	✗	✗	M24308/4-436Z
112	M24308/4-459Z	M2000/4-459Z	Standard	25	✗	✗	M24308/4-437Z
113	M24308/4-460Z	M2000/4-460Z	Standard	37	✗	✗	M24308/4-438Z
114	M24308/4-461Z	M2000/4-461Z	Standard	50	✗	✗	M24308/4-439Z
115	M24308/4-440Z	M2000/4-440Z	High Density	15	✓	✗	M24308/4-440Z
116	M24308/4-441Z	M2000/4-441Z	High Density	26	✓	✗	M24308/4-441Z
117	M24308/4-442Z	M2000/4-442Z	High Density	44	✓	✗	M24308/4-442Z
118	M24308/4-443Z	M2000/4-443Z	High Density	62	✓	✗	M24308/4-443Z
119	M24308/4-444Z	M2000/4-444Z	High Density	78	✓	✗	M24308/4-444Z
120	M24308/4-445Z	M2000/4-445Z	High Density	104	✓	✗	M24308/4-445Z
121	M24308/4-451Z	M2000/4-451Z	High Density	15	✓	✓	M24308/4-440Z
122	M24308/4-452Z	M2000/4-452Z	High Density	26	✓	✓	M24308/4-441Z
123	M24308/4-453Z	M2000/4-453Z	High Density	44	✓	✓	M24308/4-442Z
124	M24308/4-454Z	M2000/4-454Z	High Density	62	✓	✓	M24308/4-443Z
125	M24308/4-455Z	M2000/4-455Z	High Density	78	✓	✓	M24308/4-444Z
126	M24308/4-456Z	M2000/4-456Z	High Density	104	✓	✓	M24308/4-445Z
127	M24308/4-462Z	M2000/4-462Z	High Density	15	✗	✗	M24308/4-440Z
128	M24308/4-463Z	M2000/4-463Z	High Density	26	✗	✗	M24308/4-441Z
129	M24308/4-464Z	M2000/4-464Z	High Density	44	✗	✗	M24308/4-442Z
130	M24308/4-465Z	M2000/4-465Z	High Density	62	✗	✗	M24308/4-443Z
131	M24308/4-466Z	M2000/4-466Z	High Density	78	✗	✗	M24308/4-444Z
132	M24308/4-467Z	M2000/4-467Z	High Density	104	✗	✗	M24308/4-445Z

✓ – Included with connector

✗ – Not included with connector

Sr. No.	Military Designation	Manufacturers Designation	Type	No. of Pins	Crimp Contact	I R Tool	Marking On The Connector
133	M24308/4-302K	M2000/4-302K	Standard	9	✓	✗	M24308/4-302K
134	M24308/4-303K	M2000/4-303K	Standard	15	✓	✗	M24308/4-303K
135	M24308/4-304K	M2000/4-304K	Standard	25	✓	✗	M24308/4-304K
136	M24308/4-305K	M2000/4-305K	Standard	37	✓	✗	M24308/4-305K
137	M24308/4-306K	M2000/4-306K	Standard	50	✓	✗	M24308/4-306K
138	M24308/4-313K	M2000/4-313K	Standard	9	✓	✓	M24308/4-302K
139	M24308/4-314K	M2000/4-314K	Standard	15	✓	✓	M24308/4-303K
140	M24308/4-315K	M2000/4-315K	Standard	25	✓	✓	M24308/4-304K
141	M24308/4-316K	M2000/4-316K	Standard	37	✓	✓	M24308/4-305K
142	M24308/4-317K	M2000/4-317K	Standard	50	✓	✓	M24308/4-306K
143	M24308/4-324K	M2000/4-324K	Standard	9	✗	✗	M24308/4-302K
144	M24308/4-325K	M2000/4-325K	Standard	15	✗	✗	M24308/4-303K
145	M24308/4-326K	M2000/4-326K	Standard	25	✗	✗	M24308/4-304K
146	M24308/4-327K	M2000/4-327K	Standard	37	✗	✗	M24308/4-305K
147	M24308/4-328K	M2000/4-328K	Standard	50	✗	✗	M24308/4-306K
148	M24308/4-307K	M2000/4-307K	High Density	15	✓	✗	M24308/4-307K
149	M24308/4-308K	M2000/4-308K	High Density	26	✓	✗	M24308/4-308K
150	M24308/4-309K	M2000/4-309K	High Density	44	✓	✗	M24308/4-309K
151	M24308/4-310K	M2000/4-310K	High Density	62	✓	✗	M24308/4-310K
152	M24308/4-311K	M2000/4-311K	High Density	78	✓	✗	M24308/4-311K
153	M24308/4-312K	M2000/4-312K	High Density	104	✓	✗	M24308/4-312K
154	M24308/4-318K	M2000/4-318K	High Density	15	✓	✓	M24308/4-307K
155	M24308/4-319K	M2000/4-319K	High Density	26	✓	✓	M24308/4-308K
156	M24308/4-320K	M2000/4-320K	High Density	44	✓	✓	M24308/4-309K
157	M24308/4-321K	M2000/4-321K	High Density	62	✓	✓	M24308/4-310K
158	M24308/4-322K	M2000/4-322K	High Density	78	✓	✓	M24308/4-311K
159	M24308/4-323K	M2000/4-323K	High Density	104	✓	✓	M24308/4-312K
160	M24308/4-329K	M2000/4-329K	High Density	15	✗	✗	M24308/4-307K
161	M24308/4-330K	M2000/4-330K	High Density	26	✗	✗	M24308/4-308K
162	M24308/4-331K	M2000/4-331K	High Density	44	✗	✗	M24308/4-309K
163	M24308/4-332K	M2000/4-332K	High Density	62	✗	✗	M24308/4-310K
164	M24308/4-333K	M2000/4-333K	High Density	78	✗	✗	M24308/4-311K
165	M24308/4-334K	M2000/4-334K	High Density	104	✗	✗	M24308/4-312K

✓ – Included with connector

✗ – Not included with connector



Sr. No.	Military Designation	Manufacturers Designation	Type	No. of Pins	Crimp Contact	I R Tool	Marking On The Connector
166	M24308/4-435K	M2000/4-435K	Standard	9	✓	✗	M24308/4-435K
167	M24308/4-436K	M2000/4-436K	Standard	15	✓	✗	M24308/4-436K
168	M24308/4-437K	M2000/4-437K	Standard	25	✓	✗	M24308/4-437K
169	M24308/4-438K	M2000/4-438K	Standard	37	✓	✗	M24308/4-438K
170	M24308/4-439K	M2000/4-439K	Standard	50	✓	✗	M24308/4-439K
171	M24308/4-446K	M2000/4-446K	Standard	9	✓	✓	M24308/4-435K
172	M24308/4-447K	M2000/4-447K	Standard	15	✓	✓	M24308/4-436K
173	M24308/4-448K	M2000/4-448K	Standard	25	✓	✓	M24308/4-437K
174	M24308/4-449K	M2000/4-449K	Standard	37	✓	✓	M24308/4-438K
175	M24308/4-450K	M2000/4-450K	Standard	50	✓	✓	M24308/4-439K
176	M24308/4-457K	M2000/4-457K	Standard	9	✗	✗	M24308/4-435K
177	M24308/4-458K	M2000/4-458K	Standard	15	✗	✗	M24308/4-436K
178	M24308/4-459K	M2000/4-459K	Standard	25	✗	✗	M24308/4-437K
179	M24308/4-460K	M2000/4-460K	Standard	37	✗	✗	M24308/4-438K
180	M24308/4-461K	M2000/4-461K	Standard	50	✗	✗	M24308/4-439K
181	M24308/4-440K	M2000/4-440K	High Density	15	✓	✗	M24308/4-440K
182	M24308/4-441K	M2000/4-441K	High Density	26	✓	✗	M24308/4-441K
183	M24308/4-442K	M2000/4-442K	High Density	44	✓	✗	M24308/4-442K
184	M24308/4-443K	M2000/4-443K	High Density	62	✓	✗	M24308/4-443K
185	M24308/4-444K	M2000/4-444K	High Density	78	✓	✗	M24308/4-444K
186	M24308/4-445K	M2000/4-445K	High Density	104	✓	✗	M24308/4-445K
187	M24308/4-451K	M2000/4-451K	High Density	15	✓	✓	M24308/4-440K
188	M24308/4-452K	M2000/4-452K	High Density	26	✓	✓	M24308/4-441K
189	M24308/4-453K	M2000/4-453K	High Density	44	✓	✓	M24308/4-442K
190	M24308/4-454K	M2000/4-454K	High Density	62	✓	✓	M24308/4-443K
191	M24308/4-455K	M2000/4-455K	High Density	78	✓	✓	M24308/4-444K
192	M24308/4-456K	M2000/4-456K	High Density	104	✓	✓	M24308/4-445K
193	M24308/4-462K	M2000/4-462K	High Density	15	✗	✗	M24308/4-440K
194	M24308/4-463K	M2000/4-463K	High Density	26	✗	✗	M24308/4-441K
195	M24308/4-464K	M2000/4-464K	High Density	44	✗	✗	M24308/4-442K
196	M24308/4-465K	M2000/4-465K	High Density	62	✗	✗	M24308/4-443K
197	M24308/4-466K	M2000/4-466K	High Density	78	✗	✗	M24308/4-444K
198	M24308/4-467K	M2000/4-467K	High Density	104	✗	✗	M24308/4-445K

✓ – Included with connector

✗ – Not included with connector

Sr. No.	Military Designation	Manufacturers Designation	Type	No. of Pins	Crimp Contact	I R Tool	Marking On The Connector
199	M24308/4-368	M2000/4-368	Standard	9	✓	✗	M24308/4-368
200	M24308/4-369	M2000/4-369	Standard	15	✓	✗	M24308/4-369
201	M24308/4-370	M2000/4-370	Standard	25	✓	✗	M24308/4-370
202	M24308/4-371	M2000/4-371	Standard	37	✓	✗	M24308/4-371
203	M24308/4-372	M2000/4-372	Standard	50	✓	✗	M24308/4-372
204	M24308/4-379	M2000/4-379	Standard	9	✓	✓	M24308/4-368
205	M24308/4-380	M2000/4-380	Standard	15	✓	✓	M24308/4-369
206	M24308/4-381	M2000/4-381	Standard	25	✓	✓	M24308/4-370
207	M24308/4-382	M2000/4-382	Standard	37	✓	✓	M24308/4-371
208	M24308/4-383	M2000/4-383	Standard	50	✓	✓	M24308/4-372
209	M24308/4-390	M2000/4-390	Standard	9	✗	✗	M24308/4-368
210	M24308/4-391	M2000/4-391	Standard	15	✗	✗	M24308/4-369
211	M24308/4-392	M2000/4-392	Standard	25	✗	✗	M24308/4-370
212	M24308/4-393	M2000/4-393	Standard	37	✗	✗	M24308/4-371
213	M24308/4-394	M2000/4-394	Standard	50	✗	✗	M24308/4-372
214	M24308/4-373	M2000/4-373	High Density	15	✓	✗	M24308/4-373
215	M24308/4-374	M2000/4-374	High Density	26	✓	✗	M24308/4-374
216	M24308/4-375	M2000/4-375	High Density	44	✓	✗	M24308/4-375
217	M24308/4-376	M2000/4-376	High Density	62	✓	✗	M24308/4-376
218	M24308/4-377	M2000/4-377	High Density	78	✓	✗	M24308/4-377
219	M24308/4-378	M2000/4-378	High Density	104	✓	✗	M24308/4-378
220	M24308/4-384	M2000/4-384	High Density	15	✓	✓	M24308/4-373
221	M24308/4-385	M2000/4-385	High Density	26	✓	✓	M24308/4-374
222	M24308/4-386	M2000/4-386	High Density	44	✓	✓	M24308/4-375
223	M24308/4-387	M2000/4-387	High Density	62	✓	✓	M24308/4-376
224	M24308/4-388	M2000/4-388	High Density	78	✓	✓	M24308/4-377
225	M24308/4-389	M2000/4-389	High Density	104	✓	✓	M24308/4-378
226	M24308/4-395	M2000/4-395	High Density	15	✗	✗	M24308/4-373
227	M24308/4-396	M2000/4-396	High Density	26	✗	✗	M24308/4-374
228	M24308/4-397	M2000/4-397	High Density	44	✗	✗	M24308/4-375
229	M24308/4-398	M2000/4-398	High Density	62	✗	✗	M24308/4-376
230	M24308/4-399	M2000/4-399	High Density	78	✗	✗	M24308/4-377
231	M24308/4-400	M2000/4-400	High Density	104	✗	✗	M24308/4-378

✓ – Included with connector

✗ – Not included with connector

Sr. No.	Military Designation	Manufacturers Designation	Type	No. of Pins	Crimp Contact	I R Tool	Marking On The Connector
232	M24308/4-401	M2000/4-401	Standard	9	✓	✗	M24308/4-401
233	M24308/4-402	M2000/4-402	Standard	15	✓	✗	M24308/4-402
234	M24308/4-403	M2000/4-403	Standard	25	✓	✗	M24308/4-403
235	M24308/4-404	M2000/4-404	Standard	37	✓	✗	M24308/4-404
236	M24308/4-405	M2000/4-405	Standard	50	✓	✗	M24308/4-405
237	M24308/4-412	M2000/4-412	Standard	9	✓	✓	M24308/4-401
238	M24308/4-413	M2000/4-413	Standard	15	✓	✓	M24308/4-402
239	M24308/4-414	M2000/4-414	Standard	25	✓	✓	M24308/4-403
240	M24308/4-415	M2000/4-415	Standard	37	✓	✓	M24308/4-404
241	M24308/4-416	M2000/4-416	Standard	50	✓	✓	M24308/4-405
242	M24308/4-423	M2000/4-423	Standard	9	✗	✗	M24308/4-401
243	M24308/4-424	M2000/4-424	Standard	15	✗	✗	M24308/4-402
244	M24308/4-425	M2000/4-425	Standard	25	✗	✗	M24308/4-403
245	M24308/4-426	M2000/4-426	Standard	37	✗	✗	M24308/4-404
246	M24308/4-427	M2000/4-427	Standard	50	✗	✗	M24308/4-405
247	M24308/4-406	M2000/4-406	High Density	15	✓	✗	M24308/4-406
248	M24308/4-407	M2000/4-407	High Density	26	✓	✗	M24308/4-407
249	M24308/4-408	M2000/4-408	High Density	44	✓	✗	M24308/4-408
250	M24308/4-409	M2000/4-409	High Density	62	✓	✗	M24308/4-409
251	M24308/4-410	M2000/4-410	High Density	78	✓	✗	M24308/4-410
252	M24308/4-411	M2000/4-411	High Density	104	✓	✗	M24308/4-411
253	M24308/4-417	M2000/4-417	High Density	15	✓	✓	M24308/4-406
254	M24308/4-418	M2000/4-418	High Density	26	✓	✓	M24308/4-407
255	M24308/4-419	M2000/4-419	High Density	44	✓	✓	M24308/4-408
256	M24308/4-420	M2000/4-420	High Density	62	✓	✓	M24308/4-409
257	M24308/4-421	M2000/4-421	High Density	78	✓	✓	M24308/4-410
258	M24308/4-422	M2000/4-422	High Density	104	✓	✓	M24308/4-411
259	M24308/4-428	M2000/4-428	High Density	15	✗	✗	M24308/4-406
260	M24308/4-429	M2000/4-429	High Density	26	✗	✗	M24308/4-407
261	M24308/4-430	M2000/4-430	High Density	44	✗	✗	M24308/4-408
262	M24308/4-431	M2000/4-431	High Density	62	✗	✗	M24308/4-409
263	M24308/4-432	M2000/4-432	High Density	78	✗	✗	M24308/4-410
264	M24308/4-433	M2000/4-433	High Density	104	✗	✗	M24308/4-411

✓ – Included with connector

✗ – Not included with connector

Sr. No.	Military Designation	Manufacturers Designation	Type	No. of Pins	Crimp Contact	I R Tool	Marking On The Connector
1	M24308/8-302F	M2000/8-302F	Standard	9	✓	✗	M24308/8-302F
2	M24308/8-303F	M2000/8-303F	Standard	15	✓	✗	M24308/8-303F
3	M24308/8-304F	M2000/8-304F	Standard	25	✓	✗	M24308/8-304F
4	M24308/8-305F	M2000/8-305F	Standard	37	✓	✗	M24308/8-305F
5	M24308/8-306F	M2000/8-306F	Standard	50	✓	✗	M24308/8-306F
6	M24308/8-313F	M2000/8-313F	Standard	9	✓	✓	M24308/8-302F
7	M24308/8-314F	M2000/8-314F	Standard	15	✓	✓	M24308/8-303F
8	M24308/8-315F	M2000/8-315F	Standard	25	✓	✓	M24308/8-304F
9	M24308/8-316F	M2000/8-316F	Standard	37	✓	✓	M24308/8-305F
10	M24308/8-317F	M2000/8-317F	Standard	50	✓	✓	M24308/8-306F
11	M24308/8-324F	M2000/8-324F	Standard	9	✗	✗	M24308/8-302F
12	M24308/8-325F	M2000/8-325F	Standard	15	✗	✗	M24308/8-303F
13	M24308/8-326F	M2000/8-326F	Standard	25	✗	✗	M24308/8-304F
14	M24308/8-327F	M2000/8-327F	Standard	37	✗	✗	M24308/8-305F
15	M24308/8-328F	M2000/8-328F	Standard	50	✗	✗	M24308/8-306F
16	M24308/8-307F	M2000/8-307F	High Density	15	✓	✗	M24308/8-307F
17	M24308/8-308F	M2000/8-308F	High Density	26	✓	✗	M24308/8-308F
18	M24308/8-309F	M2000/8-309F	High Density	44	✓	✗	M24308/8-309F
19	M24308/8-310F	M2000/8-310F	High Density	62	✓	✗	M24308/8-310F
20	M24308/8-311F	M2000/8-311F	High Density	78	✓	✗	M24308/8-311F
21	M24308/8-312F	M2000/8-312F	High Density	104	✓	✗	M24308/8-312F
22	M24308/8-318F	M2000/8-318F	High Density	15	✓	✓	M24308/8-307F
23	M24308/8-319F	M2000/8-319F	High Density	26	✓	✓	M24308/8-308F
24	M24308/8-320F	M2000/8-320F	High Density	44	✓	✓	M24308/8-309F
25	M24308/8-321F	M2000/8-321F	High Density	62	✓	✓	M24308/8-310F
26	M24308/8-322F	M2000/8-322F	High Density	78	✓	✓	M24308/8-311F
27	M24308/8-323F	M2000/8-323F	High Density	104	✓	✓	M24308/8-312F
28	M24308/8-329F	M2000/8-329F	High Density	15	✗	✗	M24308/8-307F
29	M24308/8-330F	M2000/8-330F	High Density	26	✗	✗	M24308/8-308F
30	M24308/8-331F	M2000/8-331F	High Density	44	✗	✗	M24308/8-309F
31	M24308/8-332F	M2000/8-332F	High Density	62	✗	✗	M24308/8-310F
32	M24308/8-333F	M2000/8-333F	High Density	78	✗	✗	M24308/8-311F
33	M24308/8-334F	M2000/8-334F	High Density	104	✗	✗	M24308/8-312F

✓ – Included with connector

✗ – Not included with connector

Sr. No.	Military Designation	Manufacturers Designation	Type	No. of Pins	Crimp Contact	I R Tool	Marking On The Connector
34	M24308/8-435F	M2000/8-435F	Standard	9	✓	✗	M24308/8-435F
35	M24308/8-436F	M2000/8-436F	Standard	15	✓	✗	M24308/8-436F
36	M24308/8-437F	M2000/8-437F	Standard	25	✓	✗	M24308/8-437F
37	M24308/8-438F	M2000/8-438F	Standard	37	✓	✗	M24308/8-438F
38	M24308/8-439F	M2000/8-439F	Standard	50	✓	✗	M24308/8-439F
39	M24308/8-446F	M2000/8-446F	Standard	9	✓	✓	M24308/8-435F
40	M24308/8-447F	M2000/8-447F	Standard	15	✓	✓	M24308/8-436F
41	M24308/8-448F	M2000/8-448F	Standard	25	✓	✓	M24308/8-437F
42	M24308/8-449F	M2000/8-449F	Standard	37	✓	✓	M24308/8-438F
43	M24308/8-450F	M2000/8-450F	Standard	50	✓	✓	M24308/8-439F
44	M24308/8-457F	M2000/8-457F	Standard	9	✗	✗	M24308/8-435F
45	M24308/8-458F	M2000/8-458F	Standard	15	✗	✗	M24308/8-436F
46	M24308/8-459F	M2000/8-459F	Standard	25	✗	✗	M24308/8-437F
47	M24308/8-460F	M2000/8-460F	Standard	37	✗	✗	M24308/8-438F
48	M24308/8-461F	M2000/8-461F	Standard	50	✗	✗	M24308/8-439F
49	M24308/8-440F	M2000/8-440F	High Density	15	✓	✗	M24308/8-440F
50	M24308/8-441F	M2000/8-441F	High Density	26	✓	✗	M24308/8-441F
51	M24308/8-442F	M2000/8-442F	High Density	44	✓	✗	M24308/8-442F
52	M24308/8-443F	M2000/8-443F	High Density	62	✓	✗	M24308/8-443F
53	M24308/8-444F	M2000/8-444F	High Density	78	✓	✗	M24308/8-444F
54	M24308/8-445F	M2000/8-445F	High Density	104	✓	✗	M24308/8-445F
55	M24308/8-451F	M2000/8-451F	High Density	15	✓	✓	M24308/8-440F
56	M24308/8-452F	M2000/8-452F	High Density	26	✓	✓	M24308/8-441F
57	M24308/8-453F	M2000/8-453F	High Density	44	✓	✓	M24308/8-442F
58	M24308/8-454F	M2000/8-454F	High Density	62	✓	✓	M24308/8-443F
59	M24308/8-455F	M2000/8-455F	High Density	78	✓	✓	M24308/8-444F
60	M24308/8-456F	M2000/8-456F	High Density	104	✓	✓	M24308/8-445F
61	M24308/8-462F	M2000/8-462F	High Density	15	✗	✗	M24308/8-440F
62	M24308/8-463F	M2000/8-463F	High Density	26	✗	✗	M24308/8-441F
63	M24308/8-464F	M2000/8-464F	High Density	44	✗	✗	M24308/8-442F
64	M24308/8-465F	M2000/8-465F	High Density	62	✗	✗	M24308/8-443F
65	M24308/8-466F	M2000/8-466F	High Density	78	✗	✗	M24308/8-444F
66	M24308/8-467F	M2000/8-467F	High Density	104	✗	✗	M24308/8-445F

✓ – Included with connector

✗ – Not included with connector

Sr. No.	Military Designation	Manufacturers Designation	Type	No. of Pins	Crimp Contact	I R Tool	Marking On The Connector
67	M24308/8-302Z	M2000/8-302Z	Standard	9	✓	✘	M24308/8-302Z
68	M24308/8-303Z	M2000/8-303Z	Standard	15	✓	✘	M24308/8-303Z
69	M24308/8-304Z	M2000/8-304Z	Standard	25	✓	✘	M24308/8-304Z
70	M24308/8-305Z	M2000/8-305Z	Standard	37	✓	✘	M24308/8-305Z
71	M24308/8-306Z	M2000/8-306Z	Standard	50	✓	✘	M24308/8-306Z
72	M24308/8-313Z	M2000/8-313Z	Standard	9	✓	✓	M24308/8-302Z
73	M24308/8-314Z	M2000/8-314Z	Standard	15	✓	✓	M24308/8-303Z
74	M24308/8-315Z	M2000/8-315Z	Standard	25	✓	✓	M24308/8-304Z
75	M24308/8-316Z	M2000/8-316Z	Standard	37	✓	✓	M24308/8-305Z
76	M24308/8-317Z	M2000/8-317Z	Standard	50	✓	✓	M24308/8-306Z
77	M24308/8-324Z	M2000/8-324Z	Standard	9	✘	✘	M24308/8-302Z
78	M24308/8-325Z	M2000/8-325Z	Standard	15	✘	✘	M24308/8-303Z
79	M24308/8-326Z	M2000/8-326Z	Standard	25	✘	✘	M24308/8-304Z
80	M24308/8-327Z	M2000/8-327Z	Standard	37	✘	✘	M24308/8-305Z
81	M24308/8-328Z	M2000/8-328Z	Standard	50	✘	✘	M24308/8-306Z
82	M24308/8-307Z	M2000/8-307Z	High Density	15	✓	✘	M24308/8-307Z
83	M24308/8-308Z	M2000/8-308Z	High Density	26	✓	✘	M24308/8-308Z
84	M24308/8-309Z	M2000/8-309Z	High Density	44	✓	✘	M24308/8-309Z
85	M24308/8-310Z	M2000/8-310Z	High Density	62	✓	✘	M24308/8-310Z
86	M24308/8-311Z	M2000/8-311Z	High Density	78	✓	✘	M24308/8-311Z
87	M24308/8-312Z	M2000/8-312Z	High Density	104	✓	✘	M24308/8-312Z
88	M24308/8-318Z	M2000/8-318Z	High Density	15	✓	✓	M24308/8-307Z
89	M24308/8-319Z	M2000/8-319Z	High Density	26	✓	✓	M24308/8-308Z
90	M24308/8-320Z	M2000/8-320Z	High Density	44	✓	✓	M24308/8-309Z
91	M24308/8-321Z	M2000/8-321Z	High Density	62	✓	✓	M24308/8-310Z
92	M24308/8-322Z	M2000/8-322Z	High Density	78	✓	✓	M24308/8-311Z
93	M24308/8-323Z	M2000/8-323Z	High Density	104	✓	✓	M24308/8-312Z
94	M24308/8-329Z	M2000/8-329Z	High Density	15	✘	✘	M24308/8-307Z
95	M24308/8-330Z	M2000/8-330Z	High Density	26	✘	✘	M24308/8-308Z
96	M24308/8-331Z	M2000/8-331Z	High Density	44	✘	✘	M24308/8-309Z
97	M24308/8-332Z	M2000/8-332Z	High Density	62	✘	✘	M24308/8-310Z
98	M24308/8-333Z	M2000/8-333Z	High Density	78	✘	✘	M24308/8-311Z
99	M24308/8-334Z	M2000/8-334Z	High Density	104	✘	✘	M24308/8-312Z

✓ – Included with connector

✘ – Not included with connector

Sr. No.	Military Designation	Manufacturers Designation	Type	No. of Pins	Crimp Contact	I R Tool	Marking On The Connector
100	M24308/8-435Z	M2000/8-435Z	Standard	9	✓	✗	M24308/8-435Z
101	M24308/8-436Z	M2000/8-436Z	Standard	15	✓	✗	M24308/8-436Z
102	M24308/8-437Z	M2000/8-437Z	Standard	25	✓	✗	M24308/8-437Z
103	M24308/8-438Z	M2000/8-438Z	Standard	37	✓	✗	M24308/8-438Z
104	M24308/8-439Z	M2000/8-439Z	Standard	50	✓	✗	M24308/8-439Z
105	M24308/8-446Z	M2000/8-446Z	Standard	9	✓	✓	M24308/8-435Z
106	M24308/8-447Z	M2000/8-447Z	Standard	15	✓	✓	M24308/8-436Z
107	M24308/8-448Z	M2000/8-448Z	Standard	25	✓	✓	M24308/8-437Z
108	M24308/8-449Z	M2000/8-449Z	Standard	37	✓	✓	M24308/8-438Z
109	M24308/8-450Z	M2000/8-450Z	Standard	50	✓	✓	M24308/8-439Z
110	M24308/8-457Z	M2000/8-457Z	Standard	9	✗	✗	M24308/8-435Z
111	M24308/8-458Z	M2000/8-458Z	Standard	15	✗	✗	M24308/8-436Z
112	M24308/8-459Z	M2000/8-459Z	Standard	25	✗	✗	M24308/8-437Z
113	M24308/8-460Z	M2000/8-460Z	Standard	37	✗	✗	M24308/8-438Z
114	M24308/8-461Z	M2000/8-461Z	Standard	50	✗	✗	M24308/8-439Z
115	M24308/8-440Z	M2000/8-440Z	High Density	15	✓	✗	M24308/8-440Z
116	M24308/8-441Z	M2000/8-441Z	High Density	26	✓	✗	M24308/8-441Z
117	M24308/8-442Z	M2000/8-442Z	High Density	44	✓	✗	M24308/8-442Z
118	M24308/8-443Z	M2000/8-443Z	High Density	62	✓	✗	M24308/8-443Z
119	M24308/8-444Z	M2000/8-444Z	High Density	78	✓	✗	M24308/8-444Z
120	M24308/8-445Z	M2000/8-445Z	High Density	104	✓	✗	M24308/8-445Z
121	M24308/8-451Z	M2000/8-451Z	High Density	15	✓	✓	M24308/8-440Z
122	M24308/8-452Z	M2000/8-452Z	High Density	26	✓	✓	M24308/8-441Z
123	M24308/8-453Z	M2000/8-453Z	High Density	44	✓	✓	M24308/8-442Z
124	M24308/8-454Z	M2000/8-454Z	High Density	62	✓	✓	M24308/8-443Z
125	M24308/8-455Z	M2000/8-455Z	High Density	78	✓	✓	M24308/8-444Z
126	M24308/8-456Z	M2000/8-456Z	High Density	104	✓	✓	M24308/8-445Z
127	M24308/8-462Z	M2000/8-462Z	High Density	15	✗	✗	M24308/8-440Z
128	M24308/8-463Z	M2000/8-463Z	High Density	26	✗	✗	M24308/8-441Z
129	M24308/8-464Z	M2000/8-464Z	High Density	44	✗	✗	M24308/8-442Z
130	M24308/8-465Z	M2000/8-465Z	High Density	62	✗	✗	M24308/8-443Z
131	M24308/8-466Z	M2000/8-466Z	High Density	78	✗	✗	M24308/8-444Z
132	M24308/8-467Z	M2000/8-467Z	High Density	104	✗	✗	M24308/8-445Z

✓ – Included with connector

✗ – Not included with connector

Sr. No.	Military Designation	Manufacturers Designation	Type	No. of Pins	Crimp Contact	I R Tool	Marking On The Connector
133	M24308/8-368	M2000/8-368	Standard	9	✓	✗	M24308/8-368
134	M24308/8-369	M2000/8-369	Standard	15	✓	✗	M24308/8-369
135	M24308/8-370	M2000/8-370	Standard	25	✓	✗	M24308/8-370
136	M24308/8-371	M2000/8-371	Standard	37	✓	✗	M24308/8-371
137	M24308/8-372	M2000/8-372	Standard	50	✓	✗	M24308/8-372
138	M24308/8-379	M2000/8-379	Standard	9	✓	✓	M24308/8-368
139	M24308/8-380	M2000/8-380	Standard	15	✓	✓	M24308/8-369
140	M24308/8-381	M2000/8-381	Standard	25	✓	✓	M24308/8-370
141	M24308/8-382	M2000/8-382	Standard	37	✓	✓	M24308/8-371
142	M24308/8-383	M2000/8-383	Standard	50	✓	✓	M24308/8-372
143	M24308/8-390	M2000/8-390	Standard	9	✗	✗	M24308/8-368
144	M24308/8-391	M2000/8-391	Standard	15	✗	✗	M24308/8-369
145	M24308/8-392	M2000/8-392	Standard	25	✗	✗	M24308/8-370
146	M24308/8-393	M2000/8-393	Standard	37	✗	✗	M24308/8-371
147	M24308/8-394	M2000/8-394	Standard	50	✗	✗	M24308/8-372
148	M24308/8-373	M2000/8-373	High Density	15	✓	✗	M24308/8-373
149	M24308/8-374	M2000/8-374	High Density	26	✓	✗	M24308/8-374
150	M24308/8-375	M2000/8-375	High Density	44	✓	✗	M24308/8-375
151	M24308/8-376	M2000/8-376	High Density	62	✓	✗	M24308/8-376
152	M24308/8-377	M2000/8-377	High Density	78	✓	✗	M24308/8-377
153	M24308/8-378	M2000/8-378	High Density	104	✓	✗	M24308/8-378
154	M24308/8-384	M2000/8-384	High Density	15	✓	✓	M24308/8-373
155	M24308/8-385	M2000/8-385	High Density	26	✓	✓	M24308/8-374
156	M24308/8-386	M2000/8-386	High Density	44	✓	✓	M24308/8-375
157	M24308/8-387	M2000/8-387	High Density	62	✓	✓	M24308/8-376
158	M24308/8-388	M2000/8-388	High Density	78	✓	✓	M24308/8-377
159	M24308/8-389	M2000/8-389	High Density	104	✓	✓	M24308/8-378
160	M24308/8-395	M2000/8-395	High Density	15	✗	✗	M24308/8-373
161	M24308/8-396	M2000/8-396	High Density	26	✗	✗	M24308/8-374
162	M24308/8-397	M2000/8-397	High Density	44	✗	✗	M24308/8-375
163	M24308/8-398	M2000/8-398	High Density	62	✗	✗	M24308/8-376
164	M24308/8-399	M2000/8-399	High Density	78	✗	✗	M24308/8-377
165	M24308/8-400	M2000/8-400	High Density	104	✗	✗	M24308/8-378

✓ – Included with connector

✗ – Not included with connector



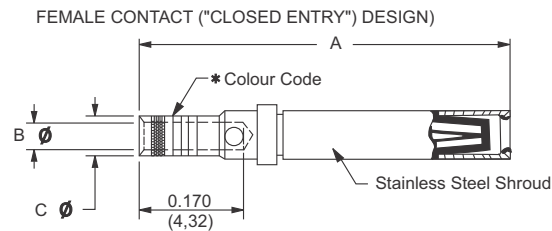
Sr. No.	Military Designation	Manufacturers Designation	Type	No. of Pins	Crimp Contact	I R Tool	Marking On The Connector
166	M24308/8-401	M2000/8-401	Standard	9	✓	✗	M24308/8-401
167	M24308/8-402	M2000/8-402	Standard	15	✓	✗	M24308/8-402
168	M24308/8-403	M2000/8-403	Standard	25	✓	✗	M24308/8-403
169	M24308/8-404	M2000/8-404	Standard	37	✓	✗	M24308/8-404
170	M24308/8-405	M2000/8-405	Standard	50	✓	✗	M24308/8-405
171	M24308/8-412	M2000/8-412	Standard	9	✓	✓	M24308/8-401
172	M24308/8-413	M2000/8-413	Standard	15	✓	✓	M24308/8-402
173	M24308/8-414	M2000/8-414	Standard	25	✓	✓	M24308/8-403
174	M24308/8-415	M2000/8-415	Standard	37	✓	✓	M24308/8-404
175	M24308/8-416	M2000/8-416	Standard	50	✓	✓	M24308/8-405
176	M24308/8-423	M2000/8-423	Standard	9	✗	✗	M24308/8-401
177	M24308/8-424	M2000/8-424	Standard	15	✗	✗	M24308/8-402
178	M24308/8-425	M2000/8-425	Standard	25	✗	✗	M24308/8-403
179	M24308/8-426	M2000/8-426	Standard	37	✗	✗	M24308/8-404
180	M24308/8-427	M2000/8-427	Standard	50	✗	✗	M24308/8-405
181	M24308/8-406	M2000/8-406	High Density	15	✓	✗	M24308/8-406
182	M24308/8-407	M2000/8-407	High Density	26	✓	✗	M24308/8-407
183	M24308/8-408	M2000/8-408	High Density	44	✓	✗	M24308/8-408
184	M24308/8-409	M2000/8-409	High Density	62	✓	✗	M24308/8-409
185	M24308/8-410	M2000/8-410	High Density	78	✓	✗	M24308/8-410
186	M24308/8-411	M2000/8-411	High Density	104	✓	✗	M24308/8-411
187	M24308/8-417	M2000/8-417	High Density	15	✓	✓	M24308/8-406
188	M24308/8-418	M2000/8-418	High Density	26	✓	✓	M24308/8-407
189	M24308/8-419	M2000/8-419	High Density	44	✓	✓	M24308/8-408
190	M24308/8-420	M2000/8-420	High Density	62	✓	✓	M24308/8-409
191	M24308/8-421	M2000/8-421	High Density	78	✓	✓	M24308/8-410
192	M24308/8-422	M2000/8-422	High Density	104	✓	✓	M24308/8-411
193	M24308/8-428	M2000/8-428	High Density	15	✗	✗	M24308/8-406
194	M24308/8-429	M2000/8-429	High Density	26	✗	✗	M24308/8-407
195	M24308/8-430	M2000/8-430	High Density	44	✗	✗	M24308/8-408
196	M24308/8-431	M2000/8-431	High Density	62	✗	✗	M24308/8-409
197	M24308/8-432	M2000/8-432	High Density	78	✗	✗	M24308/8-410
198	M24308/8-433	M2000/8-433	High Density	104	✗	✗	M24308/8-411

✓ – Included with connector

✗ – Not included with connector

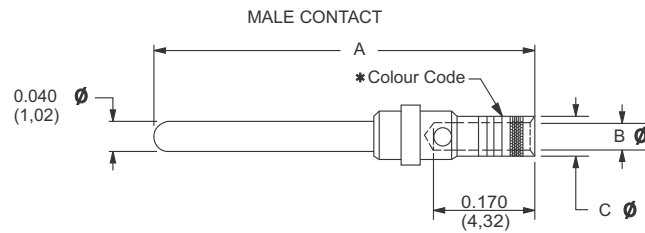
## CRIMP CONTACTS

### Closed Crimp Barrel



Material - Copper Alloy.  
 Plating - Gold flash over nickel or  
 0.000050 inch (1.27 $\mu$ ) gold over copper for  
 military specification contacts.  
 \* Colour Code - ORANGE / BLUE / GREY for military  
 specification contacts

PART NO.	WIRE SIZE (AWG (MM <sup>2</sup> ))	A	B $\emptyset$	C $\emptyset$
M2000-107687	20/22/24 (0,5/0,3/0,25)	0.538 (13,67)	0.044 (1,12)	0.066 (1,68)
M2000-109979	26/28/30 (0,12/0,08/0,5)	0.538 (13,67)	0.027 (0,69)	0.066 (1,68)
*M39029/63-368	20/22/24 (0,5/0,3/0,25)	0.538 (13,67)	0.044 (1,12)	0.066 (1,68)



Material - Brass  
 Plating - Gold flash over nickel or  
 0.000050 inch (1.27 $\mu$ ) gold over copper for  
 military specification contacts.  
 \* Colour Code - ORANGE / BLUE / WHITE for military  
 specification contacts

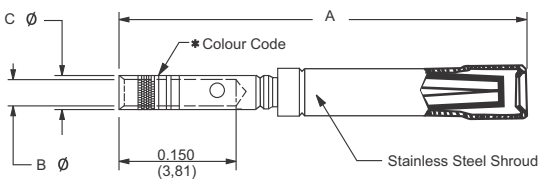
PART NO.	WIRE SIZE (AWG (MM <sup>2</sup> ))	A	B $\emptyset$	C $\emptyset$
M2000-107688	20/22/24 (0,5/0,3/0,25)	0.550 (13,97)	0.044 (1,12)	0.066 (1,68)
M2000-109980	26/28/30 (0,12/0,08/0,5)	0.550 (13,97)	0.027 (0,69)	0.066 (1,68)
*M39029/64-369	20/22/24 (0,5/0,3/0,25)	0.550 (13,97)	0.044 (1,12)	0.066 (1,68)

Crimp contacts can be supplied in kit with connector or ordered separately.

## Contact Information For High Density D-Sub

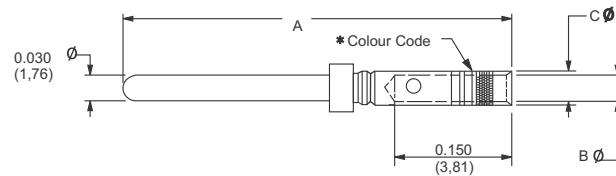
### CRIMP CONTACTS

#### Closed Crimp Barrel



Material - Copper Alloy.  
 Plating - Gold flash over nickel or  
 0.000050 inch (1.27 $\mu$ ) gold over copper for  
 military specification contacts.  
 \* Colour Code - ORANGE/GREEN/YELLOW for military  
 specification contacts

PART NO.	WIRE SIZE (AWG (MM <sup>2</sup> ))	A	B $\emptyset$	C $\emptyset$
M2000-107294	22/24/26/28 (0,3/0,25/0,12/0,08/0,05)	0.518 (13,16)	0.035 (0,89)	0.047 (1,19)
*M39029/57-354	22/24/26/28 (0,3/0,25/0,12/0,08)	0.518 (13,16)	0.035 (0,89)	0.047 (1,19)



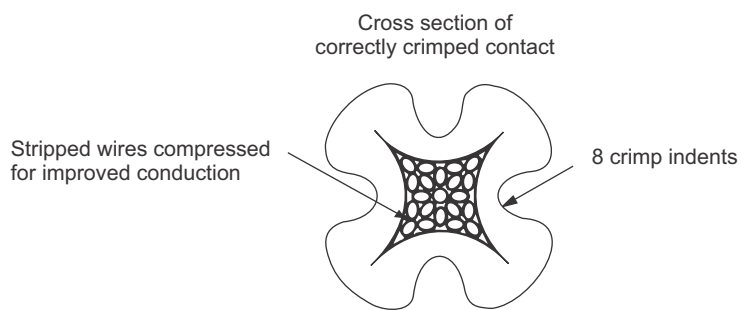
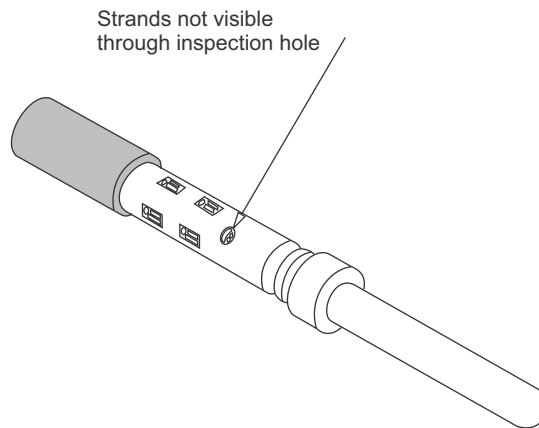
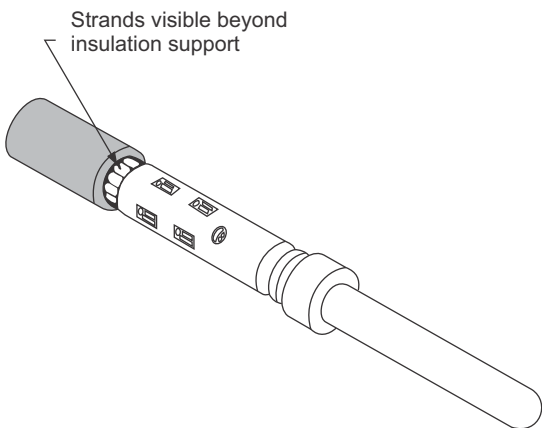
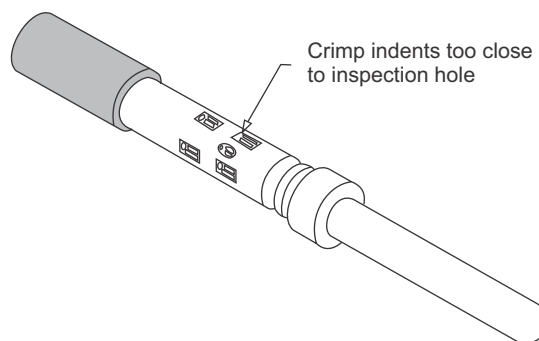
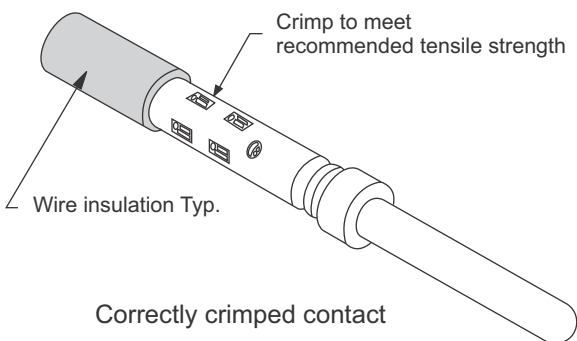
Material - Brass  
 Plating - Gold flash over nickel or  
 0.000050 inch (1.27 $\mu$ ) gold over copper for  
 military specification contacts.  
 \* Colour Code - ORANGE / BLUE / BLACK for military  
 specification contacts

PART NO.	WIRE SIZE (AWG (MM <sup>2</sup> ))	A	B $\emptyset$	C $\emptyset$
M2000-105794	22/24/26/28 (0,3/0,25/0,12/0,08/0,05)	0.531 (13,49)	0.035 (0,89)	0.047 (1,19)
*M39029/58-360	22/24/26/28 (0,3/0,25/0,12/0,08)	0.531 (13,49)	0.035 (0,89)	0.047 (1,19)

Crimp contacts can be supplied in kit with connector or ordered separately.

For all tools :

- Strands to be visible through the inspection hole
- Strands not to be visible beyond the insulation support
- Check for peeled gold and bent contact



Amphenol recommended tools for Standard / High Density Series Contact

Miniature step adjustable tool (M22520/2-01)  
Part No. M2000-CRT



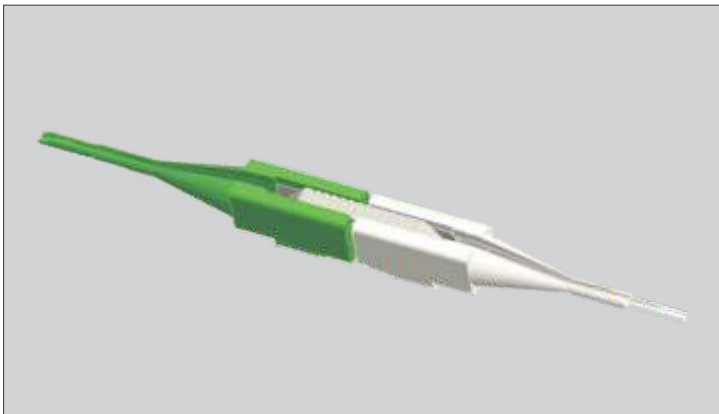
This miniature 8 step adjustable hand crimping tool produces an 8 indent crimp configuration and will crimp wire sizes 18 AWG (1.0mm<sup>2</sup>) through 32AWG (0.3mm<sup>2</sup>)

To crimp wire size 18 AWG (1.0mm<sup>2</sup>), order contact positioner K13-1. To crimp wire size AWG (0.5mm<sup>2</sup>) through 30 AWG (0.05mm<sup>2</sup>) order contact positioner

K-13-1. Each positioner is equipped with a data plate which gives the correct crimp-depth setting for each wire size and must be used with M22520/2-01 tool frame for best results when crimping M2000 (M24308) Series contacts.

## Insertion/Removal Tool

M81969/39-01  
(M2000-107689)



One end of this tool is used to insert contacts into M2000 (M24308) Series connectors. The other end is used to extract contacts. This is accomplished by sliding the extraction tip down the wire into the connector until it bottoms against the contacts. A slight rotation while pushing will release the contacts, which are then extracted by simultaneously pulling on the wire.

A slight rotation while pushing will release the contacts, which are then extracted by simultaneously pulling on the wire.

Miniature step adjustable tool (M22520/2-01)  
Part No. M2000-CRT

This miniature step adjustable hand crimping tool produces an 8 indent crimp configuration and will crimp wire sizes 20 AWG (0.5mm<sup>2</sup>) through 32 AWG (0.3mm<sup>2</sup>)

To crimp female contacts, order contact positioner K41. To crimp male contacts, order contact positioner K42. Each positioner is equipped with a data plate which gives the correct crimp-depth setting for each wire size and must be used with M22520/2-01 tool frame for best results when crimping M2000 (M24308) Series contacts.



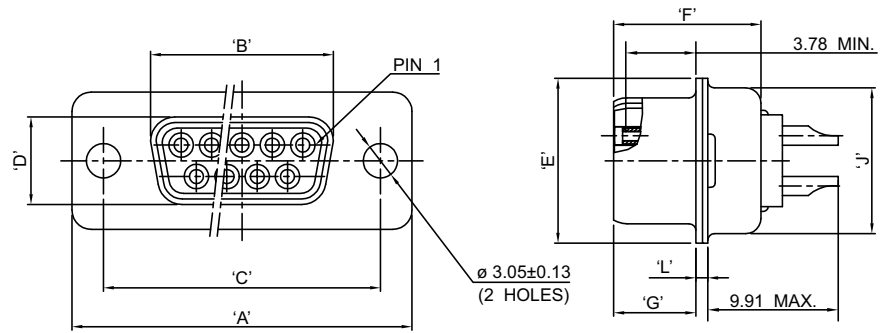
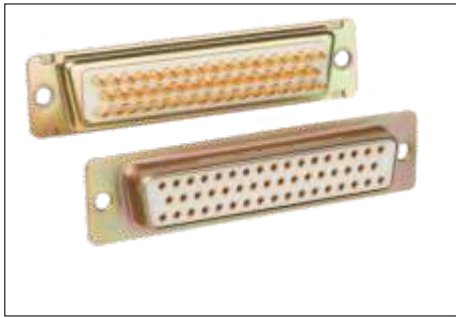
Insertion/Removal Tool (M81969/14-01)  
(M2000-105786)



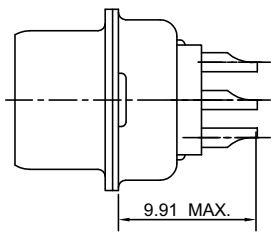
One end of this tool is used to insert contacts into M2000 (M24308) Series connectors. The other end is used to extract contacts. This is accomplished by sliding the extraction tip down the wire into the connector until it bottoms against

the contacts. A slight rotation while pushing will release the contacts, which are then extracted by simultaneously pulling on the wire.

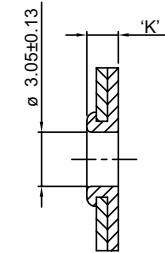
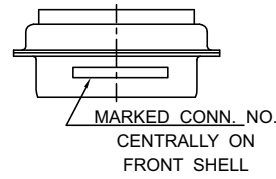
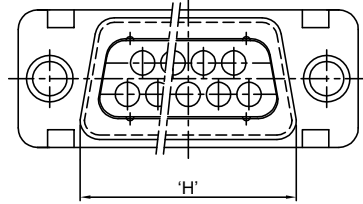
# Standard Density Solder Cup Socket Connector



09 TO 37 PIN



50 PIN (3 ROWS)



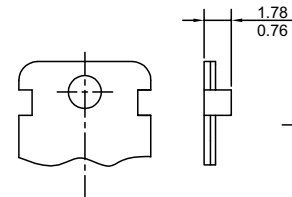
STD-THROUGH HOLE. DETAIL A

## Dimension Table

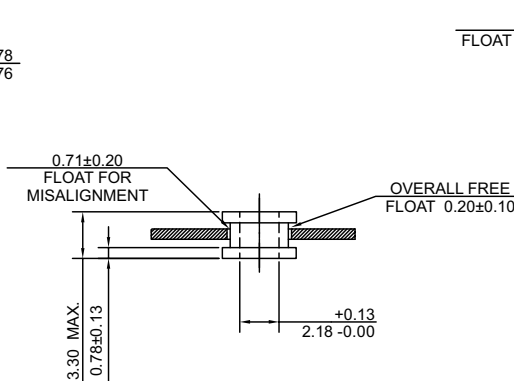
SHELL SIZE	STANDARD DENSITY NO. OF PINS	'A'	'B'	'C'	'D'	'E'	'F'	'G'	'H'	'J'	'K'	'L'
2	15	39.52 38.76	24.79 24.53	33.45 33.20	8.03 7.67	12.93 12.17	11.15 10.64	6.30 6.05	27.76 27.25	10.97 10.46	1.52 0.89	1.02 0.51
3	25	53.42 52.65	38.51 38.25	47.17 46.91	8.03 7.67	12.93 12.17	11.15 10.64	6.30 6.05	41.53 41.02	10.97 10.46	1.52 0.89	1.02 0.51
4	37	69.70 68.94	54.97 54.71	63.63 63.37	8.03 7.67	12.93 12.17	11.15 10.64	6.30 6.05	57.96 57.45	10.97 10.46	1.52 0.89	1.02 0.51
5	50	67.31 66.55	52.55 52.30	61.24 60.99	10.87 10.62	15.75 14.99	11.15 10.64	6.30 6.05	55.58 55.07	13.82 13.31	1.52 0.89	1.02 0.51

### NOTE :

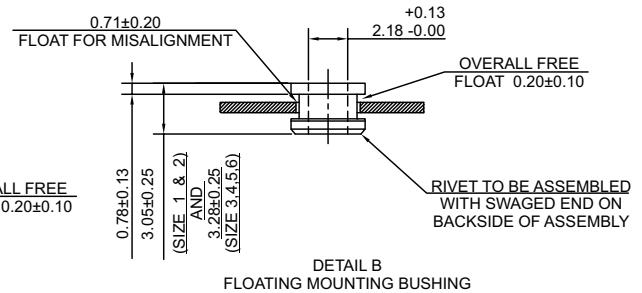
1. DIMENSION ARE 3.94MM MINIMUM (FOR SIZE 3,4,5) AND 4.17MM MINIMUM (FOR SIZE 1,2)
2. CONTACT SHOWS ONLY FOR REFERENCE,



ALTERNATE METHOD OF SECURING SHELL HALVES



DETAIL C  
DUAL FLOATING MOUNTING BUSHING



DETAIL B  
FLOATING MOUNTING BUSHING



Sr. No.	Military Designation	Manufacturers Designation	No. of Pins	Shell Details	Marking On The Connector
1	M24308/1-1F	M2000/1-1F	9	A	M24308/1-1F
2	M24308/1-2F	M2000/1-2F	15	A	M24308/1-2F
3	M24308/1-3F	M2000/1-3F	25	A	M24308/1-3F
4	M24308/1-4F	M2000/1-4F	37	A	M24308/1-4F
5	M24308/1-5F	M2000/1-5F	50	A	M24308/1-5F
6	M24308/1-1Z	M2000/1-1Z	9	A	M24308/1-1Z
7	M24308/1-2Z	M2000/1-2Z	15	A	M24308/1-2Z
8	M24308/1-3Z	M2000/1-3Z	25	A	M24308/1-3Z
9	M24308/1-4Z	M2000/1-4Z	37	A	M24308/1-4Z
10	M24308/1-5Z	M2000/1-5Z	50	A	M24308/1-5Z
11	M24308/1-1K	M2000/1-1K	9	A	M24308/1-1K
12	M24308/1-2K	M2000/1-2K	15	A	M24308/1-2K
13	M24308/1-3K	M2000/1-3K	25	A	M24308/1-3K
14	M24308/1-4K	M2000/1-4K	37	A	M24308/1-4K
15	M24308/1-5K	M2000/1-5K	50	A	M24308/1-5K
16	M24308/1-34	M2000/1-34	9	A	M24308/1-34
17	M24308/1-35	M2000/1-35	15	A	M24308/1-35
18	M24308/1-36	M2000/1-36	25	A	M24308/1-36
19	M24308/1-37	M2000/1-37	37	A	M24308/1-37
20	M24308/1-38	M2000/1-38	50	A	M24308/1-38



Sr. No.	Military Designation	Manufacturers Designation	No. of Pins	Shell Details	Marking On The Connector
1	M24308/5-1F	M2000/5-1F	9	A	M24308/1-1F
2	M24308/5-2F	M2000/5-2F	15	A	M24308/5-2F
3	M24308/5-3F	M2000/5-3F	25	A	M24308/5-3F
4	M24308/5-4F	M2000/5-4F	37	A	M24308/5-4F
5	M24308/5-5F	M2000/5-5F	50	A	M24308/5-5F
6	M24308/5-1Z	M2000/5-1Z	9	A	M24308/5-1Z
7	M24308/5-2Z	M2000/5-2Z	15	A	M24308/5-2Z
8	M24308/5-3Z	M2000/5-3Z	25	A	M24308/5-3Z
9	M24308/5-4Z	M2000/5-4Z	37	A	M24308/5-4Z
10	M24308/5-5Z	M2000/5-5Z	50	A	M24308/5-5Z
11	M24308/5-34	M2000/5-34	9	A	M24308/5-34
12	M24308/5-35	M2000/5-35	15	A	M24308/5-35
13	M24308/5-36	M2000/5-36	25	A	M24308/5-36
14	M24308/5-37	M2000/5-37	37	A	M24308/5-37
15	M24308/5-38	M2000/5-38	50	A	M24308/5-38

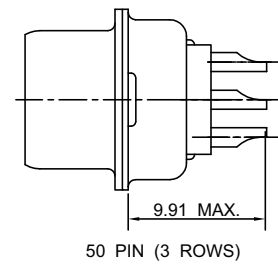
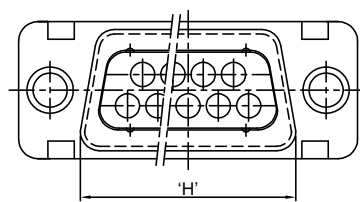
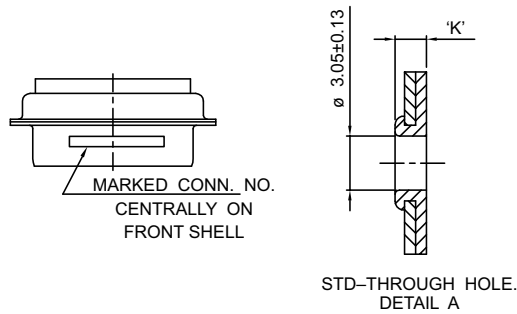
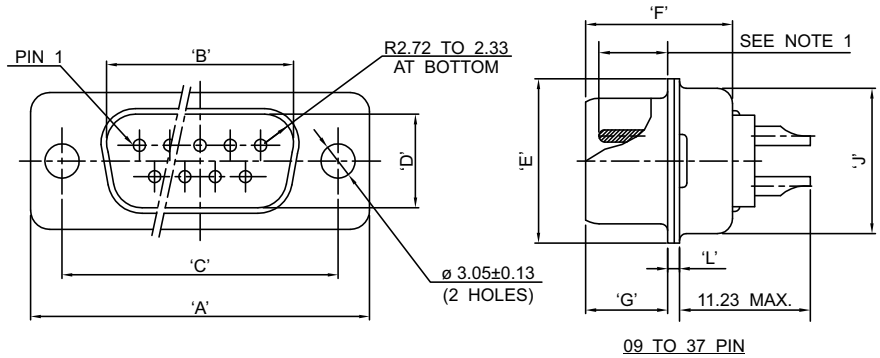




Sr. No.	Military Designation	Manufacturers Designation	No. of Pins	Shell Details	Marking On The Connector
1	M24308/1-12F	M2000/1-12F	9	B	M24308/1-12F
2	M24308/1-13F	M2000/1-13F	15	B	M24308/1-13F
3	M24308/1-14F	M2000/1-14F	25	B	M24308/1-14F
4	M24308/1-15F	M2000/1-15F	37	B	M24308/1-15F
5	M24308/1-16F	M2000/1-16F	50	B	M24308/1-16F
6	M24308/1-23F	M2000/1-23F	9	C	M24308/1-23F
7	M24308/1-24F	M2000/1-24F	15	C	M24308/1-24F
8	M24308/1-25F	M2000/1-25F	25	C	M24308/1-25F
9	M24308/1-26F	M2000/1-26F	37	C	M24308/1-26F
10	M24308/1-27F	M2000/1-27F	50	C	M24308/1-27F
11	M24308/1-12Z	M2000/1-12Z	9	B	M24308/1-12Z
12	M24308/1-13Z	M2000/1-13Z	15	B	M24308/1-13Z
13	M24308/1-14Z	M2000/1-14Z	25	B	M24308/1-14Z
14	M24308/1-15Z	M2000/1-15Z	37	B	M24308/1-15Z
15	M24308/1-16Z	M2000/1-16Z	50	B	M24308/1-16Z
16	M24308/1-23Z	M2000/1-23Z	9	C	M24308/1-23Z
17	M24308/1-24Z	M2000/1-24Z	15	C	M24308/1-24Z
18	M24308/1-25Z	M2000/1-25Z	25	C	M24308/1-25Z
19	M24308/1-26Z	M2000/1-26Z	37	C	M24308/1-26Z
20	M24308/1-27Z	M2000/1-27Z	50	C	M24308/1-27Z
21	M24308/1-12K	M2000/1-12K	9	B	M24308/1-12K
22	M24308/1-13K	M2000/1-13K	15	B	M24308/1-13K
23	M24308/1-14K	M2000/1-14K	25	B	M24308/1-14K
24	M24308/1-15K	M2000/1-15K	37	B	M24308/1-15K
25	M24308/1-16K	M2000/1-16K	50	B	M24308/1-16K
26	M24308/1-23K	M2000/1-23K	9	C	M24308/1-23K
27	M24308/1-24K	M2000/1-24K	15	C	M24308/1-24K
28	M24308/1-25K	M2000/1-25K	25	C	M24308/1-25K
29	M24308/1-26K	M2000/1-26K	37	C	M24308/1-26K
30	M24308/1-27K	M2000/1-27K	50	C	M24308/1-27K
31	M24308/1-45	M2000/1-45	9	B	M24308/1-45
32	M24308/1-46	M2000/1-46	15	B	M24308/1-46
33	M24308/1-47	M2000/1-47	25	B	M24308/1-47
34	M24308/1-48	M2000/1-48	37	B	M24308/1-48
35	M24308/1-49	M2000/1-49	50	B	M24308/1-49
36	M24308/1-56	M2000/1-56	9	C	M24308/1-56
37	M24308/1-57	M2000/1-57	15	C	M24308/1-57
38	M24308/1-58	M2000/1-58	25	C	M24308/1-58
39	M24308/1-59	M2000/1-59	37	C	M24308/1-59
40	M24308/1-60	M2000/1-60	50	C	M24308/1-60



Sr. No.	Military Designation	Manufacturers Designation	No. of Pins	Shell Details	Marking On The Connector
1	M24308/5-12F	M2000/5-12F	9	B	M24308/5-12F
2	M24308/5-13F	M2000/5-13F	15	B	M24308/5-13F
3	M24308/5-14F	M2000/5-14F	25	B	M24308/5-14F
4	M24308/5-15F	M2000/5-15F	37	B	M24308/5-15F
5	M24308/5-16F	M2000/5-16F	50	B	M24308/5-16F
6	M24308/5-23F	M2000/5-23F	9	C	M24308/5-23F
7	M24308/5-24F	M2000/5-24F	15	C	M24308/5-24F
8	M24308/5-25F	M2000/5-25F	25	C	M24308/5-25F
9	M24308/5-26F	M2000/5-26F	37	C	M24308/5-26F
10	M24308/5-27F	M2000/5-27F	50	C	M24308/5-27F
11	M24308/5-12Z	M2000/5-12Z	9	B	M24308/5-12Z
12	M24308/5-13Z	M2000/5-13Z	15	B	M24308/5-13Z
13	M24308/5-14Z	M2000/5-14Z	25	B	M24308/5-14Z
14	M24308/5-15Z	M2000/5-15Z	37	B	M24308/5-15Z
15	M24308/5-16Z	M2000/5-16Z	50	B	M24308/5-16Z
16	M24308/5-23Z	M2000/5-23Z	9	C	M24308/5-23Z
17	M24308/5-24Z	M2000/5-24Z	15	C	M24308/5-24Z
18	M24308/5-25Z	M2000/5-25Z	25	C	M24308/5-25Z
19	M24308/5-26Z	M2000/5-26Z	37	C	M24308/5-26Z
20	M24308/5-27Z	M2000/5-27Z	50	C	M24308/5-27Z
21	M24308/5-45	M2000/5-45	9	B	M24308/5-45
22	M24308/5-46	M2000/5-46	15	B	M24308/5-46
23	M24308/5-47	M2000/5-47	25	B	M24308/5-47
24	M24308/5-48	M2000/5-48	37	B	M24308/5-48
25	M24308/5-49	M2000/5-49	50	B	M24308/5-49
26	M24308/5-56	M2000/5-56	9	C	M24308/5-56
27	M24308/5-57	M2000/5-57	15	C	M24308/5-57
28	M24308/5-58	M2000/5-58	25	C	M24308/5-58
29	M24308/5-59	M2000/5-59	37	C	M24308/5-59
30	M24308/5-60	M2000/5-60	50	C	M24308/5-60

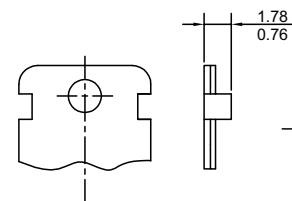


### DIMENSION TABLE :

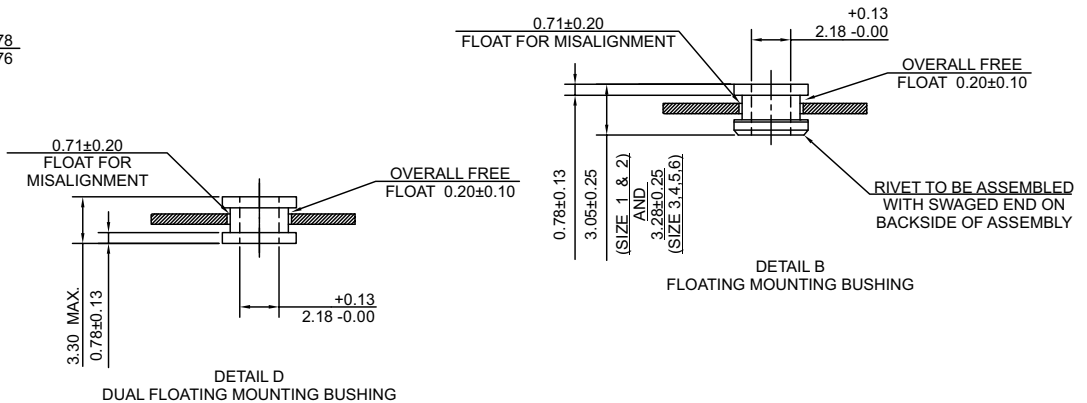
SHELL SIZE	STANDARD DENSITY	'A'	'B'	'C'	'D'	'E'	'F'	'G'	'H'	'J'	'K'	'L'
	NO. OF PINS											
1	09	31.19	17.04	25.12	8.48	12.93	10.97	6.05	19.53	10.97	1.52	1.02
		30.43	16.79	24.87	8.23	12.17	10.46	5.82	19.02	10.46	0.89	0.51
2	15	39.52	25.37	33.45	8.48	12.93	10.97	6.05	27.76	10.97	1.52	1.02
		38.76	25.12	33.20	8.23	12.17	10.46	5.82	27.25	10.46	0.89	0.51
3	25	53.42	39.09	47.17	8.48	12.93	11.07	5.99	41.53	10.97	1.78	1.24
		52.65	38.84	46.91	8.23	12.17	10.57	5.69	41.02	10.46	1.27	0.74
4	37	69.70	55.55	63.63	8.48	12.93	11.07	5.99	57.96	10.97	1.78	1.24
		68.94	55.30	63.37	8.23	12.17	10.57	5.69	57.45	10.46	1.27	0.74
5	50	67.31	52.93	61.24	11.33	15.75	11.07	5.99	55.58	13.82	1.78	1.24
		66.55	52.68	60.99	11.07	14.99	10.57	5.69	55.07	13.31	1.27	0.74

### NOTE :

1. DIMENSION ARE 3.81MM MINIMUM (FOR SIZE 3,4,5) AND 4.04MM MINIMUM (FOR SIZE 1,2)



ALTERNATE METHOD OF SECURING SHELL HALVES





Sr. No.	Military Designation	Manufacturers Designation	No. of Pins	Shell Details	Marking On The Connector
1	M24308/3-1F	M2000/3-1F	9	A	M24308/3-1F
2	M24308/3-2F	M2000/3-2F	15	A	M24308/3-2F
3	M24308/3-3F	M2000/3-3F	25	A	M24308/3-3F
4	M24308/3-4F	M2000/3-4F	37	A	M24308/3-4F
5	M24308/3-5F	M2000/3-5F	50	A	M24308/3-5F
6	M24308/3-1Z	M2000/3-1Z	9	A	M24308/3-1Z
7	M24308/3-2Z	M2000/3-2Z	15	A	M24308/3-2Z
8	M24308/3-3Z	M2000/3-3Z	25	A	M24308/3-3Z
9	M24308/3-4Z	M2000/3-4Z	37	A	M24308/3-4Z
10	M24308/3-5Z	M2000/3-5Z	50	A	M24308/3-5Z
11	M24308/3-1K	M2000/3-1K	9	A	M24308/3-1K
12	M24308/3-2K	M2000/3-2K	15	A	M24308/3-2K
13	M24308/3-3K	M2000/3-3K	25	A	M24308/3-3K
14	M24308/3-4K	M2000/3-4K	37	A	M24308/3-4K
15	M24308/3-5K	M2000/3-5K	50	A	M24308/3-5K
16	M24308/3-23	M2000/3-23	9	A	M24308/3-23
17	M24308/3-24	M2000/3-24	15	A	M24308/3-24
18	M24308/3-25	M2000/3-25	25	A	M24308/3-25
19	M24308/3-26	M2000/3-26	37	A	M24308/3-26
20	M24308/3-27	M2000/3-27	50	A	M24308/3-27



Sr. No.	Military Designation	Manufacturers Designation	No. of Pins	Shell Details	Marking On The Connector
1	M24308/7-1F	M2000/7-1F	9	A	M24308/7-1F
2	M24308/7-2F	M2000/7-2F	15	A	M24308/7-2F
3	M24308/7-3F	M2000/7-3F	25	A	M24308/7-3F
4	M24308/7-4F	M2000/7-4F	37	A	M24308/7-4F
5	M24308/7-5F	M2000/7-5F	50	A	M24308/7-5F
6	M24308/7-1Z	M2000/7-1Z	9	A	M24308/7-1Z
7	M24308/7-2Z	M2000/7-2Z	15	A	M24308/7-2Z
8	M24308/7-3Z	M2000/7-3Z	25	A	M24308/7-3Z
9	M24308/7-4Z	M2000/7-4Z	37	A	M24308/7-4Z
10	M24308/7-5Z	M2000/7-5Z	50	A	M24308/7-5Z
11	M24308/7-23	M2000/7-23	9	A	M24308/7-23
12	M24308/7-24	M2000/7-24	15	A	M24308/7-24
13	M24308/7-25	M2000/7-25	25	A	M24308/7-25
14	M24308/7-26	M2000/7-26	37	A	M24308/7-26
15	M24308/7-27	M2000/7-27	50	A	M24308/7-27

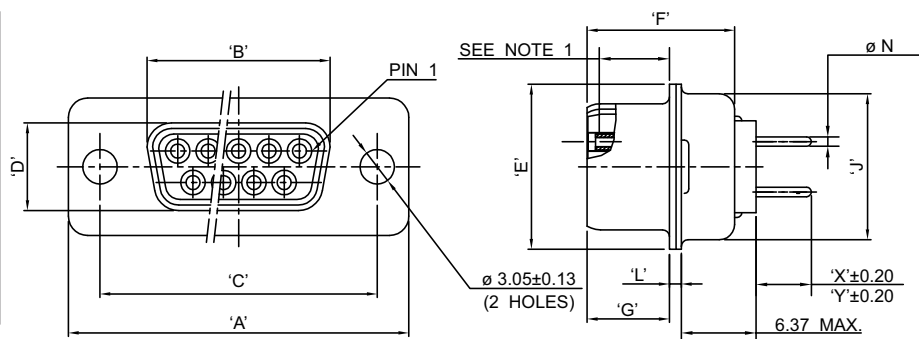


Sr. No.	Military Designation	Manufacturers Designation	No. of Pins	Shell Details	Marking On The Connector
1	M24308/3-12F	M2000/3-12F	9	B	M24308/3-12F
2	M24308/3-13F	M2000/3-13F	15	B	M24308/3-13F
3	M24308/3-14F	M2000/3-14F	25	B	M24308/3-14F
4	M24308/3-15F	M2000/3-15F	37	B	M24308/3-15F
5	M24308/3-16F	M2000/3-16F	50	B	M24308/3-16F
6	M24308/3-17F	M2000/3-17F	9	D	M24308/3-17F
7	M24308/3-18F	M2000/3-18F	15	D	M24308/3-18F
8	M24308/3-19F	M2000/3-19F	25	D	M24308/3-19F
9	M24308/3-20F	M2000/3-20F	37	D	M24308/3-20F
10	M24308/3-21F	M2000/3-21F	50	D	M24308/3-21F
11	M24308/3-12Z	M2000/3-12Z	9	B	M24308/3-12Z
12	M24308/3-13Z	M2000/3-13Z	15	B	M24308/3-13Z
13	M24308/3-14Z	M2000/3-14Z	25	B	M24308/3-14Z
14	M24308/3-15Z	M2000/3-15Z	37	B	M24308/3-15Z
15	M24308/3-16Z	M2000/3-16Z	50	B	M24308/3-16Z
16	M24308/3-17Z	M2000/3-17Z	9	D	M24308/3-17Z
17	M24308/3-18Z	M2000/3-18Z	15	D	M24308/3-18Z
18	M24308/3-19Z	M2000/3-19Z	25	D	M24308/3-19Z
19	M24308/3-20Z	M2000/3-20Z	37	D	M24308/3-20Z
20	M24308/3-21Z	M2000/3-21Z	50	D	M24308/3-21Z
21	M24308/3-12K	M2000/3-12K	9	B	M24308/3-12K
22	M24308/3-13K	M2000/3-13K	15	B	M24308/3-13K
23	M24308/3-14K	M2000/3-14K	25	B	M24308/3-14K
24	M24308/3-15K	M2000/3-15K	37	B	M24308/3-15K
25	M24308/3-16K	M2000/3-16K	50	B	M24308/3-16K
26	M24308/3-17K	M2000/3-17K	9	D	M24308/3-17K
27	M24308/3-18K	M2000/3-18K	15	D	M24308/3-18K
28	M24308/3-19K	M2000/3-19K	25	D	M24308/3-19K
29	M24308/3-20K	M2000/3-20K	37	D	M24308/3-20K
30	M24308/3-21K	M2000/3-21K	50	D	M24308/3-21K
31	M24308/3-34	M2000/3-34	9	B	M24308/3-34
32	M24308/3-35	M2000/3-35	15	B	M24308/3-35
33	M24308/3-36	M2000/3-36	25	B	M24308/3-36
34	M24308/3-37	M2000/3-37	37	B	M24308/3-37
35	M24308/3-38	M2000/3-38	50	B	M24308/3-38
36	M24308/3-39	M2000/3-39	9	D	M24308/3-39
37	M24308/3-40	M2000/3-40	15	D	M24308/3-40
38	M24308/3-41	M2000/3-41	25	D	M24308/3-41
39	M24308/3-42	M2000/3-42	37	D	M24308/3-42
40	M24308/3-43	M2000/3-43	50	D	M24308/3-43

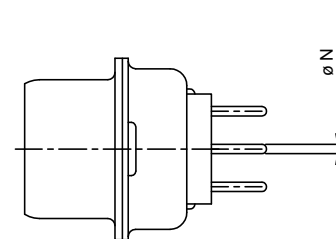
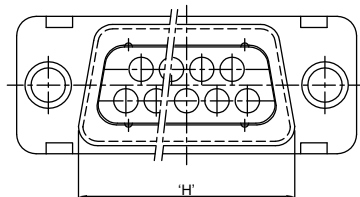
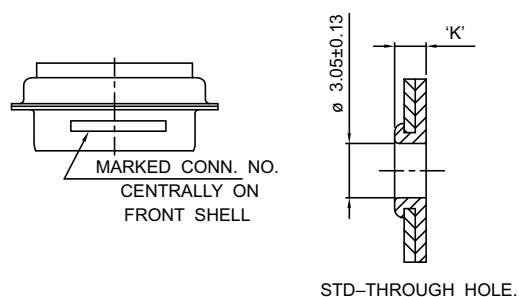


Sr. No.	Military Designation	Manufacturers Designation	No. of Pins	Shell Details	Marking On The Connector
1	M24308/7-12F	M2000/7-12F	9	B	M24308/7-12F
2	M24308/7-13F	M2000/7-13F	15	B	M24308/7-13F
3	M24308/7-14F	M2000/7-14F	25	B	M24308/7-14F
4	M24308/7-15F	M2000/7-15F	37	B	M24308/7-15F
5	M24308/7-16F	M2000/7-16F	50	B	M24308/7-16F
6	M24308/7-17F	M2000/7-17F	9	D	M24308/7-17F
7	M24308/7-18F	M2000/7-18F	15	D	M24308/7-18F
8	M24308/7-19F	M2000/7-19F	25	D	M24308/7-19F
9	M24308/7-20F	M2000/7-20F	37	D	M24308/7-20F
10	M24308/7-21F	M2000/7-21F	50	D	M24308/7-21F
11	M24308/7-12Z	M2000/7-12Z	9	B	M24308/7-12Z
12	M24308/7-13Z	M2000/7-13Z	15	B	M24308/7-13Z
13	M24308/7-14Z	M2000/7-14Z	25	B	M24308/7-14Z
14	M24308/7-15Z	M2000/7-15Z	37	B	M24308/7-15Z
15	M24308/7-16Z	M2000/7-16Z	50	B	M24308/7-16Z
16	M24308/7-17Z	M2000/7-17Z	9	D	M24308/7-17Z
17	M24308/7-18Z	M2000/7-18Z	15	D	M24308/7-18Z
18	M24308/7-19Z	M2000/7-19Z	25	D	M24308/7-19Z
19	M24308/7-20Z	M2000/7-20Z	37	D	M24308/7-20Z
20	M24308/7-21Z	M2000/7-21Z	50	D	M24308/7-21Z
21	M24308/7-34	M2000/7-34	9	B	M24308/7-34
22	M24308/7-35	M2000/7-35	15	B	M24308/7-35
23	M24308/7-36	M2000/7-36	25	B	M24308/7-36
24	M24308/7-37	M2000/7-37	37	B	M24308/7-37
25	M24308/7-38	M2000/7-38	50	B	M24308/7-38
26	M24308/7-39	M2000/7-39	9	D	M24308/7-39
27	M24308/7-40	M2000/7-40	15	D	M24308/7-40
28	M24308/7-41	M2000/7-41	25	D	M24308/7-41
29	M24308/7-42	M2000/7-42	37	D	M24308/7-42
30	M24308/7-43	M2000/7-43	50	D	M24308/7-43

# Standard Density Straight PC Tail Type Socket Contact Connector



09 TO 37 PIN



50 PIN (3 ROWS)

Dimension Table

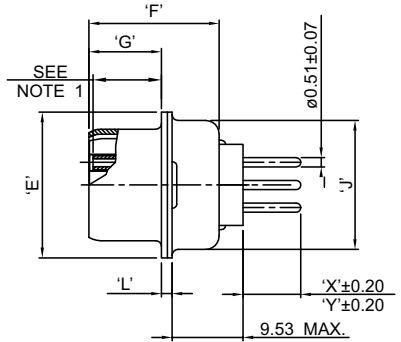
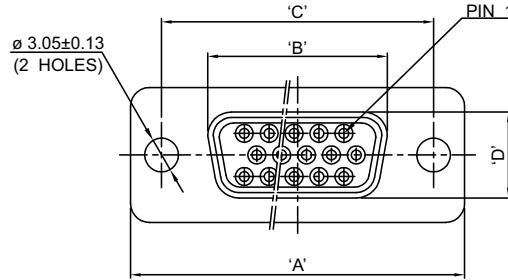
SHELL SIZE	STANDARD DENSITY NO. OF PINS	'A'	'B'	'C'	'D'	'E'	'F'	'G'	'H'	'J'	'K'	'L'	'X'	'Y'
		1	09	31.19 30.43	16.46 16.21	25.12 24.87	8.03 7.77	12.93 12.17	11.15 10.64	6.30 6.05	19.53 19.02	10.97 10.46	1.52 0.89	1.02 0.51
2	15	39.52 38.76	24.79 24.54	33.45 33.20	8.03 7.77	12.93 12.17	11.15 10.64	6.30 6.05	27.76 27.25	10.97 10.46	1.52 0.89	1.02 0.51		
3	25	53.42 52.65	38.51 38.25	47.17 46.91	8.03 7.77	12.93 12.17	11.15 10.64	6.30 6.05	41.53 41.02	10.97 10.46	1.52 0.89	1.24 0.74		
4	37	69.70 68.94	54.97 54.71	63.63 63.37	8.03 7.77	12.93 12.17	11.15 10.64	6.30 6.05	57.96 57.45	10.97 10.46	1.52 0.89	1.24 0.74		
5	50	67.31 66.55	52.55 52.30	61.24 60.99	10.87 10.62	15.75 14.99	11.15 10.64	6.30 6.05	55.58 55.07	13.82 13.31	1.52 0.89	1.24 0.74		

NOTES:

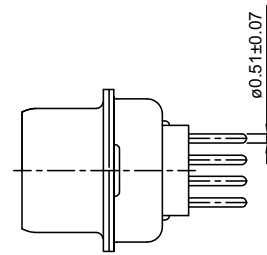
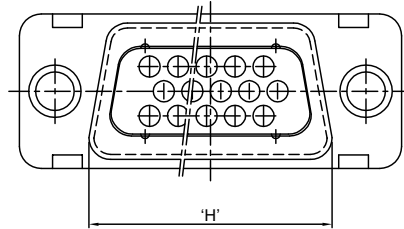
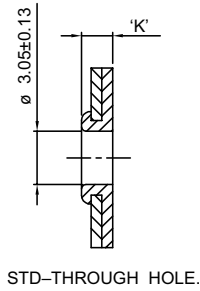
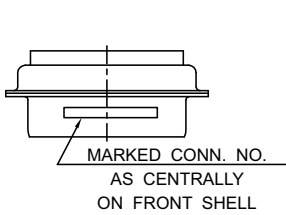
1. DIMENSION ARE 3.63MM MINIMUM (FOR SIZE 1,2,3,4,5)
2. BRASS BUSH (SPACER) WILL BE SUPPLIED LOOSE WITH THIS CONNECTOR.



# H High Density Straight PC Tail Type Socket Contact Connector



(15 TO 62 PIN)



(78 PIN)

Dimension Table :

SHELL SIZE	HIGH DENSITY NO. OF PINS	'A'	'B'	'C'	'D'	'E'	'F'	'G'	'H'	'J'	'K'	'L'	'X'	'Y'
2	26	39.52 38.76	24.79 24.54	33.45 33.20	8.03 7.77	12.93 12.17	11.15 10.64	6.30 6.05	27.76 27.25	10.97 10.46	1.52 0.89	1.02 0.51		
3	44	53.42 52.65	38.51 38.25	47.17 46.91	8.03 7.77	12.93 12.17	11.15 10.64	6.30 6.05	41.53 41.02	10.97 10.46	1.52 0.89	1.02 0.51		
4	62	69.70 68.94	54.97 54.71	63.63 63.37	8.03 7.77	12.93 12.17	11.15 10.64	6.30 6.05	57.96 57.45	10.97 10.46	1.52 0.89	1.02 0.51		
5	78	67.31 66.55	52.55 52.30	61.24 60.99	10.87 10.62	15.75 14.99	11.15 10.64	6.30 6.05	55.58 55.07	13.82 13.31	1.52 0.89	1.02 0.51		

- NOTES :
1. DIMENSION ARE 3.63MM MINIMUM FOR SIZE 1,2,3,4,5
  2. BRASS BUSH (SPACER) WILL BE SUPPLIED LOOSE WITH THIS CONNECTOR.

Application Dash Number	Application Board Thickness	Nominal Pin Diameter	PC Tail Length	Pin Diameter (N)
M24308/23-1 Through M24308/23-5	2.39 mm	0.76 mm	4.70 mm 3.30 mm	0.84 mm 0.69 mm
M24308/23-7 Through M24308/23-11	3.18 mm	0.76 mm	5.33 mm 3.94 mm	0.84 mm 0.69 mm
M24308/23-13 Through M24308/23-17	2.39 mm	1.02 mm	4.70 mm 3.30 mm	1.09 mm 0.94 mm
M24308/23-19 Through M24308/23-23	3.18 mm	1.02 mm	5.33 mm 3.94 mm	1.09 mm 0.94 mm
M24308/23-25 Through M24308/23-29	1.57 mm	0.76 mm	3.91 mm 2.51 mm	0.84 mm 0.69 mm
M24308/23-31 Through M24308/23-35	2.39 mm	0.76 mm	4.70 mm 3.30 mm	0.84 mm 0.69 mm
M24308/23-37 Through M24308/23-41	1.57 mm	1.02 mm	3.91 mm 2.51 mm	1.09 mm 0.94 mm
M24308/23-43 Through M24308/23-47	2.39 mm	1.02 mm	4.70 mm 3.30 mm	1.09 mm 0.94 mm
M24308/23-49 Through M24308/23-53	3.18 mm	0.76 mm	5.33 mm 3.94 mm	0.84 mm 0.69 mm
M24308/23-55 Through M24308/23-59	3.18 mm	1.02 mm	5.33 mm 3.94 mm	1.09 mm 0.94 mm
M24308/23-61 Through M24308/23-65	2.39 mm	0.51 mm	4.70 mm 3.30 mm	0.58 mm 0.43 mm
M24308/23-67 Through M24308/23-71	3.18 mm	0.51 mm	8.13 mm 6.99 mm	0.58 mm 0.43 mm
M24308/23-73 Through M24308/23-77	1.57 mm	0.51 mm	3.91 mm 2.51 mm	0.58 mm 0.43 mm



Sr. No.	Military Designation	Manufacturers Designation	Type	No. of Pins	Marking On The Connector
1	M24308/23-1F	M2000/23-1F	Standard	9	M24308/23-1F
2	M24308/23-2F	M2000/23-2F	Standard	15	M24308/23-2F
3	M24308/23-3F	M2000/23-3F	Standard	25	M24308/23-3F
4	M24308/23-4F	M2000/23-4F	Standard	37	M24308/23-4F
5	M24308/23-5F	M2000/23-5F	Standard	50	M24308/23-5F
6	M24308/23-7F	M2000/23-7F	Standard	9	M24308/23-7F
7	M24308/23-8F	M2000/23-8F	Standard	15	M24308/23-8F
8	M24308/23-9F	M2000/23-9F	Standard	25	M24308/23-9F
9	M24308/23-10F	M2000/23-10F	Standard	37	M24308/23-10F
10	M24308/23-11F	M2000/23-11F	Standard	50	M24308/23-11F
11	M24308/23-13F	M2000/23-13F	Standard	9	M24308/23-13F
12	M24308/23-14F	M2000/23-14F	Standard	15	M24308/23-14F
13	M24308/23-15F	M2000/23-15F	Standard	25	M24308/23-15F
14	M24308/23-16F	M2000/23-16F	Standard	37	M24308/23-16F
15	M24308/23-17F	M2000/23-17F	Standard	50	M24308/23-17F
16	M24308/23-19F	M2000/23-19F	Standard	9	M24308/23-19F
17	M24308/23-20F	M2000/23-20F	Standard	15	M24308/23-20F
18	M24308/23-21F	M2000/23-21F	Standard	25	M24308/23-21F
19	M24308/23-22F	M2000/23-22F	Standard	37	M24308/23-22F
20	M24308/23-23F	M2000/23-23F	Standard	50	M24308/23-23F
21	M24308/23-61F	M2000/23-61F	High Density	15	M24308/23-61F
22	M24308/23-62F	M2000/23-62F	High Density	26	M24308/23-62F
23	M24308/23-63F	M2000/23-63F	High Density	44	M24308/23-63F
24	M24308/23-64F	M2000/23-64F	High Density	62	M24308/23-64F
25	M24308/23-65F	M2000/23-65F	High Density	78	M24308/23-65F
26	M24308/23-67F	M2000/23-67F	High Density	15	M24308/23-67F
27	M24308/23-68F	M2000/23-68F	High Density	26	M24308/23-68F
28	M24308/23-69F	M2000/23-69F	High Density	44	M24308/23-69F
29	M24308/23-70F	M2000/23-70F	High Density	62	M24308/23-70F
30	M24308/23-71F	M2000/23-71F	High Density	78	M24308/23-71F



Sr. No.	Military Designation	Manufacturers Designation	Type	No. of Pins	Marking On The Connector
31	M24308/23-1Z	M2000/23-1Z	Standard	9	M24308/23-1Z
32	M24308/23-2Z	M2000/23-2Z	Standard	15	M24308/23-2Z
33	M24308/23-3Z	M2000/23-3Z	Standard	25	M24308/23-3Z
34	M24308/23-4Z	M2000/23-4Z	Standard	37	M24308/23-4Z
35	M24308/23-5Z	M2000/23-5Z	Standard	50	M24308/23-5Z
36	M24308/23-7Z	M2000/23-7Z	Standard	9	M24308/23-7Z
37	M24308/23-8Z	M2000/23-8Z	Standard	15	M24308/23-8Z
38	M24308/23-9Z	M2000/23-9Z	Standard	25	M24308/23-9Z
39	M24308/23-10Z	M2000/23-10Z	Standard	37	M24308/23-10Z
40	M24308/23-11Z	M2000/23-11Z	Standard	50	M24308/23-11Z
41	M24308/23-13Z	M2000/23-13Z	Standard	9	M24308/23-13Z
42	M24308/23-14Z	M2000/23-14Z	Standard	15	M24308/23-14Z
43	M24308/23-15Z	M2000/23-15Z	Standard	25	M24308/23-15Z
44	M24308/23-16Z	M2000/23-16Z	Standard	37	M24308/23-16Z
45	M24308/23-17Z	M2000/23-17Z	Standard	50	M24308/23-17Z
46	M24308/23-19Z	M2000/23-19Z	Standard	9	M24308/23-19Z
47	M24308/23-20Z	M2000/23-20Z	Standard	15	M24308/23-20Z
48	M24308/23-21Z	M2000/23-21Z	Standard	25	M24308/23-21Z
49	M24308/23-22Z	M2000/23-22Z	Standard	37	M24308/23-22Z
50	M24308/23-23Z	M2000/23-23Z	Standard	50	M24308/23-23Z
51	M24308/23-61Z	M2000/23-61Z	High Density	15	M24308/23-61Z
52	M24308/23-62Z	M2000/23-62Z	High Density	26	M24308/23-62Z
53	M24308/23-63Z	M2000/23-63Z	High Density	44	M24308/23-63Z
54	M24308/23-64Z	M2000/23-64Z	High Density	62	M24308/23-64Z
55	M24308/23-65Z	M2000/23-65Z	High Density	78	M24308/23-65Z
56	M24308/23-67Z	M2000/23-67Z	High Density	15	M24308/23-67Z
57	M24308/23-68Z	M2000/23-68Z	High Density	26	M24308/23-68Z
58	M24308/23-69Z	M2000/23-69Z	High Density	44	M24308/23-69Z
59	M24308/23-70Z	M2000/23-70Z	High Density	62	M24308/23-70Z
60	M24308/23-71Z	M2000/23-71Z	High Density	78	M24308/23-71Z



Sr. No.	Military Designation	Manufacturers Designation	Type	No. of Pins	Marking On The Connector
61	M24308/23-1K	M2000/23-1K	Standard	9	M24308/23-1K
62	M24308/23-2K	M2000/23-2K	Standard	15	M24308/23-2K
63	M24308/23-3K	M2000/23-3K	Standard	25	M24308/23-3K
64	M24308/23-4K	M2000/23-4K	Standard	37	M24308/23-4K
65	M24308/23-5K	M2000/23-5K	Standard	50	M24308/23-5K
66	M24308/23-7K	M2000/23-7K	Standard	9	M24308/23-7K
67	M24308/23-8K	M2000/23-8K	Standard	15	M24308/23-8K
68	M24308/23-9K	M2000/23-9K	Standard	25	M24308/23-9K
69	M24308/23-10K	M2000/23-10K	Standard	37	M24308/23-10K
70	M24308/23-11K	M2000/23-11K	Standard	50	M24308/23-11K
71	M24308/23-13K	M2000/23-13K	Standard	9	M24308/23-13K
72	M24308/23-14K	M2000/23-14K	Standard	15	M24308/23-14K
73	M24308/23-15K	M2000/23-15K	Standard	25	M24308/23-15K
74	M24308/23-16K	M2000/23-16K	Standard	37	M24308/23-16K
75	M24308/23-17K	M2000/23-17K	Standard	50	M24308/23-17K
76	M24308/23-19K	M2000/23-19K	Standard	9	M24308/23-19K
77	M24308/23-20K	M2000/23-20K	Standard	15	M24308/23-20K
78	M24308/23-21K	M2000/23-21K	Standard	25	M24308/23-21K
79	M24308/23-22K	M2000/23-22K	Standard	37	M24308/23-22K
80	M24308/23-23K	M2000/23-23K	Standard	50	M24308/23-23K
81	M24308/23-61K	M2000/23-61K	High Density	15	M24308/23-61K
82	M24308/23-62K	M2000/23-62K	High Density	26	M24308/23-62K
83	M24308/23-63K	M2000/23-63K	High Density	44	M24308/23-63K
84	M24308/23-64K	M2000/23-64K	High Density	62	M24308/23-64K
85	M24308/23-65K	M2000/23-65K	High Density	78	M24308/23-65K
86	M24308/23-67K	M2000/23-67K	High Density	15	M24308/23-67K
87	M24308/23-68K	M2000/23-68K	High Density	26	M24308/23-68K
88	M24308/23-69K	M2000/23-69K	High Density	44	M24308/23-69K
89	M24308/23-70K	M2000/23-70K	High Density	62	M24308/23-70K
90	M24308/23-71K	M2000/23-71K	High Density	78	M24308/23-71K

Sr. No.	Military Designation	Manufacturers Designation	Type	No. of Pins	Marking On The Connector
1	M24308/23-301	M2000/23-301	Standard	9	M24308/23-301
2	M24308/23-302	M2000/23-302	Standard	15	M24308/23-302
3	M24308/23-303	M2000/23-303	Standard	25	M24308/23-303
4	M24308/23-304	M2000/23-304	Standard	37	M24308/23-304
5	M24308/23-305	M2000/23-305	Standard	50	M24308/23-305
6	M24308/23-307	M2000/23-307	Standard	9	M24308/23-307
7	M24308/23-308	M2000/23-308	Standard	15	M24308/23-308
8	M24308/23-309	M2000/23-309	Standard	25	M24308/23-309
9	M24308/23-310	M2000/23-310	Standard	37	M24308/23-310
10	M24308/23-311	M2000/23-311	Standard	50	M24308/23-311
11	M24308/23-313	M2000/23-313	Standard	9	M24308/23-313
12	M24308/23-314	M2000/23-314	Standard	15	M24308/23-314
13	M24308/23-315	M2000/23-315	Standard	25	M24308/23-315
14	M24308/23-316	M2000/23-316	Standard	37	M24308/23-316
15	M24308/23-317	M2000/23-317	Standard	50	M24308/23-317
16	M24308/23-319	M2000/23-319	Standard	9	M24308/23-319
17	M24308/23-320	M2000/23-320	Standard	15	M24308/23-320
18	M24308/23-321	M2000/23-321	Standard	25	M24308/23-321
19	M24308/23-322	M2000/23-322	Standard	37	M24308/23-322
20	M24308/23-323	M2000/23-323	Standard	50	M24308/23-323
21	M24308/23-361	M2000/23-361	High Density	15	M24308/23-361
22	M24308/23-362	M2000/23-362	High Density	26	M24308/23-362
23	M24308/23-363	M2000/23-363	High Density	44	M24308/23-363
24	M24308/23-364	M2000/23-364	High Density	62	M24308/23-364
25	M24308/23-365	M2000/23-365	High Density	78	M24308/23-365
26	M24308/23-367	M2000/23-367	High Density	15	M24308/23-367
27	M24308/23-368	M2000/23-368	High Density	26	M24308/23-368
28	M24308/23-369	M2000/23-369	High Density	44	M24308/23-369
29	M24308/23-370	M2000/23-370	High Density	62	M24308/23-370
30	M24308/23-371	M2000/23-371	High Density	78	M24308/23-371



Sr. No.	Military Designation	Manufacturers Designation	Type	No. of Pins	Marking On The Connector
1	M24308/23-201F	M2000/23-201F	Standard	9	M24308/23-201F
2	M24308/23-202F	M2000/23-202F	Standard	15	M24308/23-202F
3	M24308/23-203F	M2000/23-203F	Standard	25	M24308/23-203F
4	M24308/23-204F	M2000/23-204F	Standard	37	M24308/23-204F
5	M24308/23-205F	M2000/23-205F	Standard	50	M24308/23-205F
6	M24308/23-207F	M2000/23-207F	Standard	9	M24308/23-207F
7	M24308/23-208F	M2000/23-208F	Standard	15	M24308/23-208F
8	M24308/23-209F	M2000/23-209F	Standard	25	M24308/23-209F
9	M24308/23-210F	M2000/23-210F	Standard	37	M24308/23-210F
10	M24308/23-211F	M2000/23-211F	Standard	50	M24308/23-211F
11	M24308/23-213F	M2000/23-213F	Standard	9	M24308/23-213F
12	M24308/23-214F	M2000/23-214F	Standard	15	M24308/23-214F
13	M24308/23-215F	M2000/23-215F	Standard	25	M24308/23-215F
14	M24308/23-216F	M2000/23-216F	Standard	37	M24308/23-216F
15	M24308/23-217F	M2000/23-217F	Standard	50	M24308/23-217F
16	M24308/23-219F	M2000/23-219F	Standard	9	M24308/23-219F
17	M24308/23-220F	M2000/23-220F	Standard	15	M24308/23-220F
18	M24308/23-221F	M2000/23-221F	Standard	25	M24308/23-221F
19	M24308/23-222F	M2000/23-222F	Standard	37	M24308/23-222F
20	M24308/23-223F	M2000/23-223F	Standard	50	M24308/23-223F
21	M24308/23-261F	M2000/23-261F	High Density	15	M24308/23-261F
22	M24308/23-262F	M2000/23-262F	High Density	26	M24308/23-262F
23	M24308/23-263F	M2000/23-263F	High Density	44	M24308/23-263F
24	M24308/23-264F	M2000/23-264F	High Density	62	M24308/23-264F
25	M24308/23-265F	M2000/23-265F	High Density	78	M24308/23-265F
26	M24308/23-267F	M2000/23-267F	High Density	15	M24308/23-267F
27	M24308/23-268F	M2000/23-268F	High Density	26	M24308/23-268F
28	M24308/23-269F	M2000/23-269F	High Density	44	M24308/23-269F
29	M24308/23-270F	M2000/23-270F	High Density	62	M24308/23-270F
30	M24308/23-271F	M2000/23-271F	High Density	78	M24308/23-271F



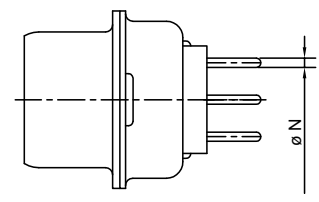
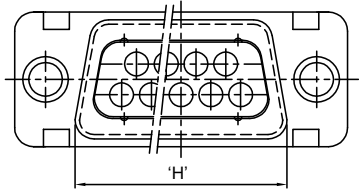
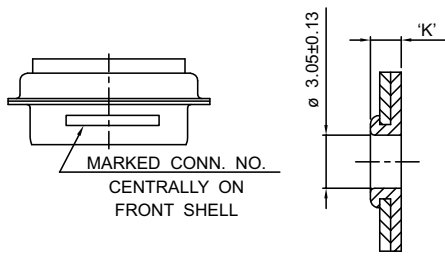
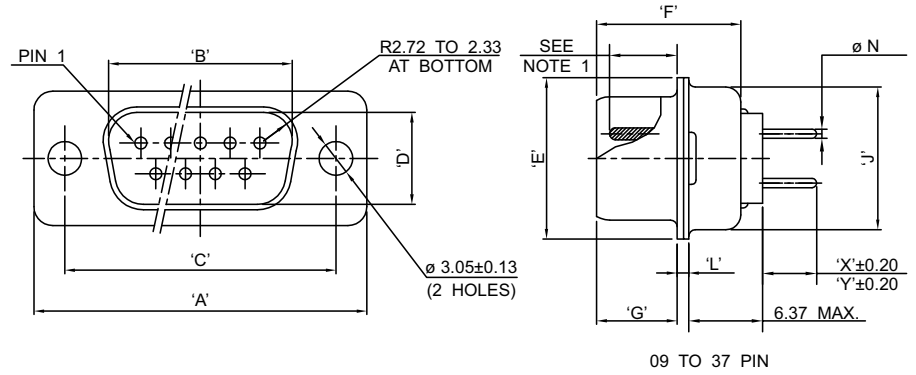
Sr. No.	Military Designation	Manufacturers Designation	Type	No. of Pins	Marking On The Connector
31	M24308/23-201Z	M2000/23-201Z	Standard	9	M24308/23-201Z
32	M24308/23-202Z	M2000/23-202Z	Standard	15	M24308/23-202Z
33	M24308/23-203Z	M2000/23-203Z	Standard	25	M24308/23-203Z
34	M24308/23-204Z	M2000/23-204Z	Standard	37	M24308/23-204Z
35	M24308/23-205Z	M2000/23-205Z	Standard	50	M24308/23-205Z
36	M24308/23-207Z	M2000/23-207Z	Standard	9	M24308/23-207Z
37	M24308/23-208Z	M2000/23-208Z	Standard	15	M24308/23-208Z
38	M24308/23-209Z	M2000/23-209Z	Standard	25	M24308/23-209Z
39	M24308/23-210Z	M2000/23-210Z	Standard	37	M24308/23-210Z
40	M24308/23-211Z	M2000/23-211Z	Standard	50	M24308/23-211Z
41	M24308/23-213Z	M2000/23-213Z	Standard	9	M24308/23-213Z
42	M24308/23-214Z	M2000/23-214Z	Standard	15	M24308/23-214Z
43	M24308/23-215Z	M2000/23-215Z	Standard	25	M24308/23-215Z
44	M24308/23-216Z	M2000/23-216Z	Standard	37	M24308/23-216Z
45	M24308/23-217Z	M2000/23-217Z	Standard	50	M24308/23-217Z
46	M24308/23-219Z	M2000/23-219Z	Standard	9	M24308/23-219Z
47	M24308/23-220Z	M2000/23-220Z	Standard	15	M24308/23-220Z
48	M24308/23-221Z	M2000/23-221Z	Standard	25	M24308/23-221Z
49	M24308/23-222Z	M2000/23-222Z	Standard	37	M24308/23-222Z
50	M24308/23-223Z	M2000/23-223Z	Standard	50	M24308/23-223Z
51	M24308/23-261Z	M2000/23-261Z	High Density	15	M24308/23-261Z
52	M24308/23-262Z	M2000/23-262Z	High Density	26	M24308/23-262Z
53	M24308/23-263Z	M2000/23-263Z	High Density	44	M24308/23-263Z
54	M24308/23-264Z	M2000/23-264Z	High Density	62	M24308/23-264Z
55	M24308/23-265Z	M2000/23-265Z	High Density	78	M24308/23-265Z
56	M24308/23-267Z	M2000/23-267Z	High Density	15	M24308/23-267Z
57	M24308/23-268Z	M2000/23-268Z	High Density	26	M24308/23-268Z
58	M24308/23-269Z	M2000/23-269Z	High Density	44	M24308/23-269Z
59	M24308/23-270Z	M2000/23-270	High Density	62	M24308/23-270Z
60	M24308/23-271Z	M2000/23-271Z	High Density	78	M24308/23-271Z





Sr. No.	Military Designation	Manufacturers Designation	Type	No. of Pins	Marking On The Connector
1	M24308/23-101	M24308/23-101	Standard	9	M24308/23-101
2	M24308/23-102	M24308/23-102	Standard	15	M24308/23-102
3	M24308/23-103	M24308/23-103	Standard	25	M24308/23-103
4	M24308/23-104	M24308/23-104	Standard	37	M24308/23-104
5	M24308/23-105	M24308/23-105	Standard	50	M24308/23-105
6	M24308/23-107	M24308/23-107	Standard	9	M24308/23-107
7	M24308/23-108	M24308/23-108	Standard	15	M24308/23-108
8	M24308/23-109	M24308/23-109	Standard	25	M24308/23-109
9	M24308/23-110	M24308/23-110	Standard	37	M24308/23-110
10	M24308/23-111	M24308/23-111	Standard	50	M24308/23-111
11	M24308/23-113	M24308/23-113	Standard	9	M24308/23-113
12	M24308/23-114	M24308/23-114	Standard	15	M24308/23-114
13	M24308/23-115	M24308/23-115	Standard	25	M24308/23-115
14	M24308/23-116	M24308/23-116	Standard	37	M24308/23-116
15	M24308/23-117	M24308/23-117	Standard	50	M24308/23-117
16	M24308/23-119	M24308/23-119	Standard	9	M24308/23-119
17	M24308/23-120	M24308/23-120	Standard	15	M24308/23-120
18	M24308/23-121	M24308/23-121	Standard	25	M24308/23-121
19	M24308/23-122	M24308/23-122	Standard	37	M24308/23-122
20	M24308/23-123	M24308/23-123	Standard	50	M24308/23-123
21	M24308/23-161	M24308/23-161	High Density	15	M24308/23-161
22	M24308/23-162	M24308/23-162	High Density	26	M24308/23-162
23	M24308/23-163	M24308/23-163	High Density	44	M24308/23-163
24	M24308/23-164	M24308/23-164	High Density	62	M24308/23-164
25	M24308/23-165	M24308/23-165	High Density	78	M24308/23-165
26	M24308/23-167	M24308/23-167	High Density	15	M24308/23-167
27	M24308/23-168	M24308/23-168	High Density	26	M24308/23-168
28	M24308/23-169	M24308/23-169	High Density	44	M24308/23-169
29	M24308/23-170	M24308/23-170	High Density	62	M24308/23-170
30	M24308/23-171	M24308/23-171	High Density	78	M24308/23-171

# Standard Density Straight PC Tail Type Plug Contact Connector



09 TO 37 PIN

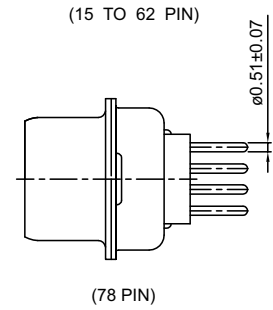
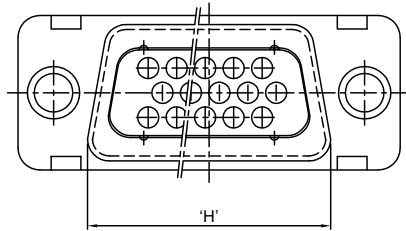
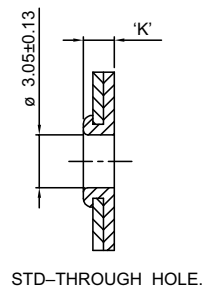
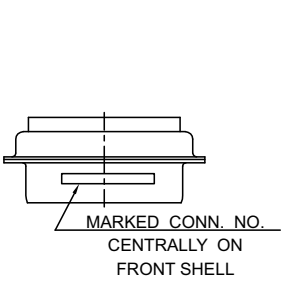
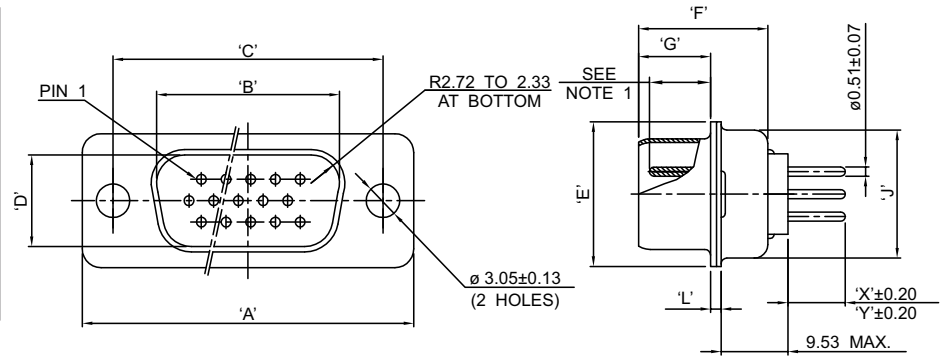
50 PIN (3 ROWS)

Dimension Table :

SHELL SIZE	STANDARD DENSITY	'A'	'B'	'C'	'D'	'E'	'F'	'G'	'H'	'J'	'K'	'L'	'X'	'Y'
	NO. OF PINS													
1	09	31.19	17.04	25.12	8.48	12.93	10.97	6.05	19.53	10.97	1.52	1.02	4.00	4.70
		30.43	16.79	24.87	8.23	12.17	10.46	5.82	19.02	10.46	0.89	0.51		
2	15	39.52	25.37	33.45	8.48	12.93	10.97	6.05	27.76	10.97	1.52	1.02	4.00	4.70
		38.76	25.12	33.20	8.23	12.17	10.46	5.82	27.25	10.46	0.89	0.51		
3	25	53.42	39.09	47.17	8.48	12.93	11.07	5.99	41.53	10.97	1.78	1.24	4.00	4.70
		52.65	38.84	46.91	8.23	12.17	10.57	5.69	41.02	10.46	1.27	0.74		
4	37	69.70	55.55	63.63	8.48	12.93	11.07	5.99	57.96	10.97	1.78	1.24	4.00	4.70
		68.94	55.30	63.37	8.23	12.17	10.57	5.69	57.45	10.46	1.27	0.74		
5	50	67.31	52.93	61.24	11.33	15.75	11.07	5.99	55.58	13.82	1.78	1.24	4.00	4.70
		66.55	52.68	60.99	11.07	14.99	10.57	5.69	55.07	13.31	1.27	0.74		

NOTES :  
 1. DIMENSION ARE 3.81MM MINIMUM (FOR SIZE 3,4,5) AND 4.0MM MIN. (FOR SIZE 1,2)  
 2. BRASS BUSH (SPACER) WILL BE SUPPLIED LOOSE WITH THIS CONNECTOR.

# High Density Straight PC Tail Type Plug Contact Connector



Dimension Table :

SHELL SIZE	HIGH DENSITY NO. OF PINS	'A'	'B'	'C'	'D'	'E'	'F'	'G'	'H'	'J'	'K'	'L'	'X'	'Y'
2	26	39.52 38.76	25.37 25.12	33.45 33.20	8.48 8.23	12.93 12.17	10.97 10.46	6.05 5.82	27.76 27.25	10.97 10.46	1.52 0.89	1.02 0.51		
3	44	53.42 52.65	39.09 38.84	47.17 46.91	8.48 8.23	12.93 12.17	11.07 10.57	5.99 5.69	41.53 41.02	10.97 10.46	1.78 1.27	1.24 0.74		
4	62	69.70 68.94	55.55 55.30	63.63 63.37	8.48 8.23	12.93 12.17	11.07 10.57	5.99 5.69	57.96 57.45	10.97 10.46	1.78 1.27	1.24 0.74		
5	78	67.31 66.55	52.93 52.68	61.24 60.99	11.33 11.07	15.75 14.99	11.07 10.57	5.99 5.69	55.58 55.07	13.82 13.31	1.78 1.27	1.24 0.74		

- NOTES :
1. DIMENSION ARE 3.81MM MIN. (FOR SIZE 3,4,5) AND 4.04MM MIN. (FOR SIZE 1,2)
  2. BRASS BUSH (SPACER) WILL BE SUPPLIED LOOSE WITH THIS CONNECTOR.

Application Dash Number	Application Board Thickness	Nominal Pin Diameter	PC Tail Length	Pin Diameter (N)
M24308/24-1 Through M24308/24-5	2.39 mm	0.76 mm	4.70 mm 3.30 mm	0.84 mm 0.69 mm
M24308/24-7 Through M24308/24-11	3.18 mm	0.76 mm	5.33 mm 3.94 mm	0.84 mm 0.69 mm
M24308/24-13 Through M24308/24-17	2.39 mm	1.02 mm	4.70 mm 3.30 mm	1.09 mm 0.94 mm
M24308/24-19 Through M24308/24-23	3.18 mm	1.02 mm	5.33 mm 3.94 mm	1.09 mm 0.94 mm
M24308/24-25 Through M24308/24-29	1.57 mm	0.76 mm	3.91 mm 2.51 mm	0.84 mm 0.69 mm
M24308/24-31 Through M24308/24-35	2.39 mm	0.76 mm	4.70 mm 3.30 mm	0.84 mm 0.69 mm
M24308/24-37 Through M24308/24-41	1.57 mm	1.02 mm	3.91 mm 2.51 mm	1.09 mm 0.94 mm
M24308/24-43 Through M24308/24-47	2.39 mm	1.02 mm	4.70 mm 3.30 mm	1.09 mm 0.94 mm
M24308/24-49 Through M24308/24-53	3.18 mm	0.76 mm	5.33 mm 3.94 mm	0.84 mm 0.69 mm
M24308/24-55 Through M24308/24-59	3.18 mm	1.02 mm	5.33 mm 3.94 mm	1.09 mm 0.94 mm
M24308/24-61 Through M24308/24-65	2.39 mm	0.51 mm	4.70 mm 3.30 mm	0.58 mm 0.43 mm
M24308/24-67 Through M24308/24-71	3.18 mm	0.51 mm	8.13 mm 6.99 mm	0.58 mm 0.43 mm
M24308/24-73 Through M24308/24-77	1.57 mm	0.51 mm	3.91 mm 2.51 mm	0.58 mm 0.43 mm



Sr. No.	Military Designation	Manufacturers Designation	Type	No. of Pins	Marking On The Connector
1	M24308/24-1F	M2000/24-1F	Standard	9	M24308/24-1F
2	M24308/24-2F	M2000/24-2F	Standard	15	M24308/24-2F
3	M24308/24-3F	M2000/24-3F	Standard	25	M24308/24-3F
4	M24308/24-4F	M2000/24-4F	Standard	37	M24308/24-4F
5	M24308/24-5F	M2000/24-5F	Standard	50	M24308/24-5F
6	M24308/24-7F	M2000/24-7F	Standard	9	M24308/24-7F
7	M24308/24-8F	M2000/24-8F	Standard	15	M24308/24-8F
8	M24308/24-9F	M2000/24-9F	Standard	25	M24308/24-9F
9	M24308/24-10F	M2000/24-10F	Standard	37	M24308/24-10F
10	M24308/24-11F	M2000/24-11F	Standard	50	M24308/24-11F
11	M24308/24-13F	M2000/24-13F	Standard	9	M24308/24-13F
12	M24308/24-14F	M2000/24-14F	Standard	15	M24308/24-14F
13	M24308/24-15F	M2000/24-15F	Standard	25	M24308/24-15F
14	M24308/24-16F	M2000/24-16F	Standard	37	M24308/24-16F
15	M24308/24-17F	M2000/24-17F	Standard	50	M24308/24-17F
16	M24308/24-19F	M2000/24-19F	Standard	9	M24308/24-19F
17	M24308/24-20F	M2000/24-20F	Standard	15	M24308/24-20F
18	M24308/24-21F	M2000/24-21F	Standard	25	M24308/24-21F
19	M24308/24-22F	M2000/24-22F	Standard	37	M24308/24-22F
20	M24308/24-23F	M2000/24-23F	Standard	50	M24308/24-23F
21	M24308/24-61F	M2000/24-61F	High Density	15	M24308/24-61F
22	M24308/24-62F	M2000/24-62F	High Density	26	M24308/24-62F
23	M24308/24-63F	M2000/24-63F	High Density	44	M24308/24-63F
24	M24308/24-64F	M2000/24-64F	High Density	62	M24308/24-64F
25	M24308/24-65F	M2000/24-65F	High Density	78	M24308/24-65F
26	M24308/24-67F	M2000/24-67F	High Density	15	M24308/24-67F
27	M24308/24-68F	M2000/24-68F	High Density	26	M24308/24-68F
28	M24308/24-69F	M2000/24-69F	High Density	44	M24308/24-69F
29	M24308/24-70F	M2000/24-70F	High Density	62	M24308/24-70F
30	M24308/24-71F	M2000/24-71F	High Density	78	M24308/24-71F



Sr. No.	Military Designation	Manufacturers Designation	Type	No. of Pins	Marking On The Connector
31	M24308/24-1Z	M2000/24-1Z	Standard	9	M24308/24-1Z
32	M24308/24-2Z	M2000/24-2Z	Standard	15	M24308/24-2Z
33	M24308/24-3Z	M2000/24-3Z	Standard	25	M24308/24-3Z
34	M24308/24-4Z	M2000/24-4Z	Standard	37	M24308/24-4Z
35	M24308/24-5Z	M2000/24-5Z	Standard	50	M24308/24-5Z
36	M24308/24-7Z	M2000/24-7Z	Standard	9	M24308/24-7Z
37	M24308/24-8Z	M2000/24-8Z	Standard	15	M24308/24-8Z
38	M24308/24-9Z	M2000/24-9Z	Standard	25	M24308/24-9Z
39	M24308/24-10Z	M2000/24-10Z	Standard	37	M24308/24-10Z
40	M24308/24-11Z	M2000/24-11Z	Standard	50	M24308/24-11Z
41	M24308/24-13Z	M2000/24-13Z	Standard	9	M24308/24-13Z
42	M24308/24-14Z	M2000/24-14Z	Standard	15	M24308/24-14Z
43	M24308/24-15Z	M2000/24-15Z	Standard	25	M24308/24-15Z
44	M24308/24-16Z	M2000/24-16Z	Standard	37	M24308/24-16Z
45	M24308/24-17Z	M2000/24-17Z	Standard	50	M24308/24-17Z
46	M24308/24-19Z	M2000/24-19Z	Standard	9	M24308/24-19Z
47	M24308/24-20Z	M2000/24-20Z	Standard	15	M24308/24-20Z
48	M24308/24-21Z	M2000/24-21Z	Standard	25	M24308/24-21Z
49	M24308/24-22Z	M2000/24-22Z	Standard	37	M24308/24-22Z
50	M24308/24-23Z	M2000/24-23Z	Standard	50	M24308/24-23Z
51	M24308/24-61Z	M2000/24-61Z	High Density	15	M24308/24-61Z
52	M24308/24-62Z	M2000/24-62Z	High Density	26	M24308/24-62Z
53	M24308/24-63Z	M2000/24-63Z	High Density	44	M24308/24-63Z
54	M24308/24-64Z	M2000/24-64Z	High Density	62	M24308/24-64Z
55	M24308/24-65Z	M2000/24-65Z	High Density	78	M24308/24-65Z
56	M24308/24-67Z	M2000/24-67Z	High Density	15	M24308/24-67Z
57	M24308/24-68Z	M2000/24-68Z	High Density	26	M24308/24-68Z
58	M24308/24-69Z	M2000/24-69Z	High Density	44	M24308/24-69Z
59	M24308/24-70Z	M2000/24-70Z	High Density	62	M24308/24-70Z
60	M24308/24-71Z	M2000/24-71Z	High Density	78	M24308/24-71Z



Sr. No.	Military Designation	Manufacturers Designation	Type	No. of Pins	Marking On The Connector
61	M24308/24-1K	M2000/24-1K	Standard	9	M24308/24-1K
62	M24308/24-2K	M2000/24-2K	Standard	15	M24308/24-2K
63	M24308/24-3K	M2000/24-3K	Standard	25	M24308/24-3K
64	M24308/24-4K	M2000/24-4K	Standard	37	M24308/24-4K
65	M24308/24-5K	M2000/24-5K	Standard	50	M24308/24-5K
66	M24308/24-7K	M2000/24-7K	Standard	9	M24308/24-7K
67	M24308/24-8K	M2000/24-8K	Standard	15	M24308/24-8K
68	M24308/24-9K	M2000/24-9K	Standard	25	M24308/24-9K
69	M24308/24-10K	M2000/24-10K	Standard	37	M24308/24-10K
70	M24308/24-11K	M2000/24-11K	Standard	50	M24308/24-11K
71	M24308/24-13K	M2000/24-13K	Standard	9	M24308/24-13K
72	M24308/24-14K	M2000/24-14K	Standard	15	M24308/24-14K
73	M24308/24-15K	M2000/24-15K	Standard	25	M24308/24-15K
74	M24308/24-16K	M2000/24-16K	Standard	37	M24308/24-16K
75	M24308/24-17K	M2000/24-17K	Standard	50	M24308/24-17K
76	M24308/24-19K	M2000/24-19K	Standard	9	M24308/24-19K
77	M24308/24-20K	M2000/24-20K	Standard	15	M24308/24-20K
78	M24308/24-21K	M2000/24-21K	Standard	25	M24308/24-21K
79	M24308/24-22K	M2000/24-22K	Standard	37	M24308/24-22K
80	M24308/24-23K	M2000/24-23K	Standard	50	M24308/24-23K
81	M24308/24-61K	M2000/24-61K	High Density	15	M24308/24-61K
82	M24308/24-62K	M2000/24-62K	High Density	26	M24308/24-62K
83	M24308/24-63K	M2000/24-63K	High Density	44	M24308/24-63K
84	M24308/24-64K	M2000/24-64K	High Density	62	M24308/24-64K
85	M24308/24-65K	M2000/24-65K	High Density	78	M24308/24-65K
86	M24308/24-67K	M2000/24-67K	High Density	15	M24308/24-67K
87	M24308/24-68K	M2000/24-68K	High Density	26	M24308/24-68K
88	M24308/24-69K	M2000/24-69K	High Density	44	M24308/24-69K
89	M24308/24-70K	M2000/24-70K	High Density	62	M24308/24-70K
90	M24308/24-71K	M2000/24-71K	High Density	78	M24308/24-71K



Sr. No.	Military Designation	Manufacturers Designation	Type	No. of Pins	Marking On The Connector
1	M24308/24-301	M2000/24-301	Standard	9	M24308/24-301
2	M24308/24-302	M2000/24-302	Standard	15	M24308/24-302
3	M24308/24-303	M2000/24-303	Standard	25	M24308/24-303
4	M24308/24-304	M2000/24-304	Standard	37	M24308/24-304
5	M24308/24-305	M2000/24-305	Standard	50	M24308/24-305
6	M24308/24-307	M2000/24-307	Standard	9	M24308/24-307
7	M24308/24-308	M2000/24-308	Standard	15	M24308/24-308
8	M24308/24-309	M2000/24-309	Standard	25	M24308/24-309
9	M24308/24-310	M2000/24-310	Standard	37	M24308/24-310
10	M24308/24-311	M2000/24-311	Standard	50	M24308/24-311
11	M24308/24-313	M2000/24-313	Standard	9	M24308/24-313
12	M24308/24-314	M2000/24-314	Standard	15	M24308/24-314
13	M24308/24-315	M2000/24-315	Standard	25	M24308/24-315
14	M24308/24-316	M2000/24-316	Standard	37	M24308/24-316
15	M24308/24-317	M2000/24-317	Standard	50	M24308/24-317
16	M24308/24-319	M2000/24-319	Standard	9	M24308/24-319
17	M24308/24-320	M2000/24-320	Standard	15	M24308/24-320
18	M24308/24-321	M2000/24-321	Standard	25	M24308/24-321
19	M24308/24-322	M2000/24-322	Standard	37	M24308/24-322
20	M24308/24-323	M2000/24-323	Standard	50	M24308/24-323
21	M24308/24-361	M2000/24-361	High Density	15	M24308/24-361
22	M24308/24-362	M2000/24-362	High Density	26	M24308/24-362
23	M24308/24-363	M2000/24-363	High Density	44	M24308/24-363
24	M24308/24-364	M2000/24-364	High Density	62	M24308/24-364
25	M24308/24-365	M2000/24-365	High Density	78	M24308/24-365
26	M24308/24-367	M2000/24-367	High Density	15	M24308/24-367
27	M24308/24-368	M2000/24-368	High Density	26	M24308/24-368
28	M24308/24-369	M2000/24-369	High Density	44	M24308/24-369
29	M24308/24-370	M2000/24-370	High Density	62	M24308/24-370
30	M24308/24-371	M2000/24-371	High Density	78	M24308/24-371





Sr. No.	Military Designation	Manufacturers Designation	Type	No. of Pins	Marking On The Connector
1	M24308/24-201F	M2000/24-201F	Standard	9	M24308/24-201F
2	M24308/24-202F	M2000/24-202F	Standard	15	M24308/24-202F
3	M24308/24-203F	M2000/24-203F	Standard	25	M24308/24-203F
4	M24308/24-204F	M2000/24-204F	Standard	37	M24308/24-204F
5	M24308/24-205F	M2000/24-205F	Standard	50	M24308/24-205F
6	M24308/24-207F	M2000/24-207F	Standard	9	M24308/24-207F
7	M24308/24-208F	M2000/24-208F	Standard	15	M24308/24-208F
8	M24308/24-209F	M2000/24-209F	Standard	25	M24308/24-209F
9	M24308/24-210F	M2000/24-210F	Standard	37	M24308/24-210F
10	M24308/24-211F	M2000/24-211F	Standard	50	M24308/24-211F
11	M24308/24-213F	M2000/24-213F	Standard	9	M24308/24-213F
12	M24308/24-214F	M2000/24-214F	Standard	15	M24308/24-214F
13	M24308/24-215F	M2000/24-215F	Standard	25	M24308/24-215F
14	M24308/24-216F	M2000/24-216F	Standard	37	M24308/24-216F
15	M24308/24-217F	M2000/24-217F	Standard	50	M24308/24-217F
16	M24308/24-219F	M2000/24-219F	Standard	9	M24308/24-219F
17	M24308/24-220F	M2000/24-220F	Standard	15	M24308/24-220F
18	M24308/24-221F	M2000/24-221F	Standard	25	M24308/24-221F
19	M24308/24-222F	M2000/24-222F	Standard	37	M24308/24-222F
20	M24308/24-223F	M2000/24-223F	Standard	50	M24308/24-223F
21	M24308/24-261F	M2000/24-261F	High Density	15	M24308/24-261F
22	M24308/24-262F	M2000/24-262F	High Density	26	M24308/24-262F
23	M24308/24-263F	M2000/24-263F	High Density	44	M24308/24-263F
24	M24308/24-264F	M2000/24-264F	High Density	62	M24308/24-264F
25	M24308/24-265F	M2000/24-265F	High Density	78	M24308/24-265F
26	M24308/24-267F	M2000/24-267F	High Density	15	M24308/24-267F
27	M24308/24-268F	M2000/24-268F	High Density	26	M24308/24-268F
28	M24308/24-269F	M2000/24-269F	High Density	44	M24308/24-269F
29	M24308/24-270F	M2000/24-270F	High Density	62	M24308/24-270F
30	M24308/24-271F	M2000/24-271F	High Density	78	M24308/24-271F

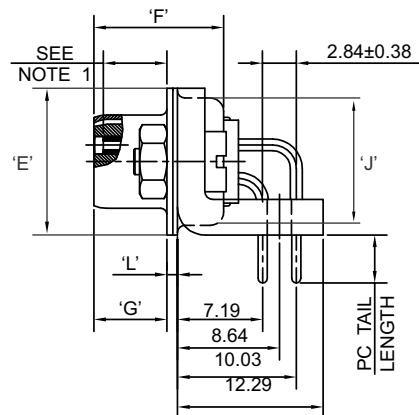
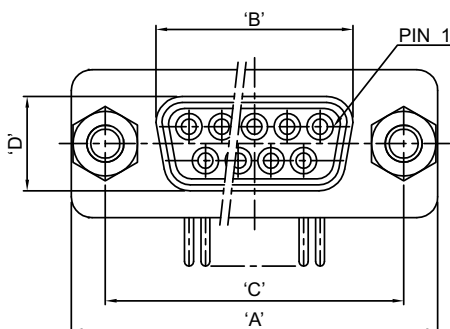
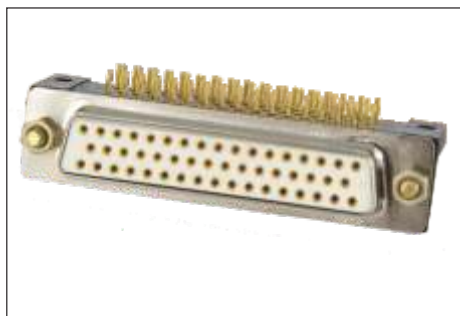


Sr. No.	Military Designation	Manufacturers Designation	Type	No. of Pins	Marking On The Connector
31	M24308/24-201Z	M2000/24-201Z	Standard	9	M24308/24-201Z
32	M24308/24-202Z	M2000/24-202Z	Standard	15	M24308/24-202Z
33	M24308/24-203Z	M2000/24-203Z	Standard	25	M24308/24-203Z
34	M24308/24-204Z	M2000/24-204Z	Standard	37	M24308/24-204Z
35	M24308/24-205Z	M2000/24-205Z	Standard	50	M24308/24-205Z
36	M24308/24-207Z	M2000/24-207Z	Standard	9	M24308/24-207Z
37	M24308/24-208Z	M2000/24-208Z	Standard	15	M24308/24-208Z
38	M24308/24-209Z	M2000/24-209Z	Standard	25	M24308/24-209Z
39	M24308/24-210Z	M2000/24-210Z	Standard	37	M24308/24-210Z
40	M24308/24-211Z	M2000/24-211Z	Standard	50	M24308/24-211Z
41	M24308/24-213Z	M2000/24-213Z	Standard	9	M24308/24-213Z
42	M24308/24-214Z	M2000/24-214Z	Standard	15	M24308/24-214Z
43	M24308/24-215Z	M2000/24-215Z	Standard	25	M24308/24-215Z
44	M24308/24-216Z	M2000/24-216Z	Standard	37	M24308/24-216Z
45	M24308/24-217Z	M2000/24-217Z	Standard	50	M24308/24-217Z
46	M24308/24-219Z	M2000/24-219Z	Standard	9	M24308/24-219Z
47	M24308/24-220Z	M2000/24-220Z	Standard	15	M24308/24-220Z
48	M24308/24-221Z	M2000/24-221Z	Standard	25	M24308/24-221Z
49	M24308/24-222Z	M2000/24-222Z	Standard	37	M24308/24-222Z
50	M24308/24-223Z	M2000/24-223Z	Standard	50	M24308/24-223Z
51	M24308/24-261Z	M2000/24-261Z	High Density	15	M24308/24-261Z
52	M24308/24-262Z	M2000/24-262Z	High Density	26	M24308/24-262Z
53	M24308/24-263Z	M2000/24-263Z	High Density	44	M24308/24-263Z
54	M24308/24-264Z	M2000/24-264Z	High Density	62	M24308/24-264Z
55	M24308/24-265Z	M2000/24-265Z	High Density	78	M24308/24-265Z
56	M24308/24-267Z	M2000/24-267Z	High Density	15	M24308/24-267Z
57	M24308/24-268Z	M2000/24-268Z	High Density	26	M24308/24-268Z
58	M24308/24-269Z	M2000/24-269Z	High Density	44	M24308/24-269Z
59	M24308/24-270Z	M2000/24-270Z	High Density	62	M24308/24-270Z
60	M24308/24-271Z	M2000/24-271Z	High Density	78	M24308/24-271Z

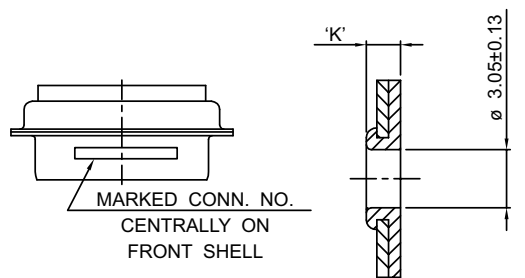


Sr. No.	Military Designation	Manufacturers Designation	Type	No. of Pins	Marking On The Connector
1	M24308/24-101	M24308/24-101	Standard	9	M24308/24-101
2	M24308/24-102	M24308/24-102	Standard	15	M24308/24-102
3	M24308/24-103	M24308/24-103	Standard	25	M24308/24-103
4	M24308/24-104	M24308/24-104	Standard	37	M24308/24-104
5	M24308/24-105	M24308/24-105	Standard	50	M24308/24-105
6	M24308/24-107	M24308/24-107	Standard	9	M24308/24-107
7	M24308/24-108	M24308/24-108	Standard	15	M24308/24-108
8	M24308/24-109	M24308/24-109	Standard	25	M24308/24-109
9	M24308/24-110	M24308/24-110	Standard	37	M24308/24-110
10	M24308/24-111	M24308/24-111	Standard	50	M24308/24-111
11	M24308/24-113	M24308/24-113	Standard	9	M24308/24-113
12	M24308/24-114	M24308/24-114	Standard	15	M24308/24-114
13	M24308/24-115	M24308/24-115	Standard	25	M24308/24-115
14	M24308/24-116	M24308/24-116	Standard	37	M24308/24-116
15	M24308/24-117	M24308/24-117	Standard	50	M24308/24-117
16	M24308/24-119	M24308/24-119	Standard	9	M24308/24-119
17	M24308/24-120	M24308/24-120	Standard	15	M24308/24-120
18	M24308/24-121	M24308/24-121	Standard	25	M24308/24-121
19	M24308/24-122	M24308/24-122	Standard	37	M24308/24-122
20	M24308/24-123	M24308/24-123	Standard	50	M24308/24-123
21	M24308/24-161	M24308/24-161	High Density	15	M24308/24-161
22	M24308/24-162	M24308/24-162	High Density	26	M24308/24-162
23	M24308/24-163	M24308/24-163	High Density	44	M24308/24-163
24	M24308/24-164	M24308/24-164	High Density	62	M24308/24-164
25	M24308/24-165	M24308/24-165	High Density	78	M24308/24-165
26	M24308/24-167	M24308/24-167	High Density	15	M24308/24-167
27	M24308/24-168	M24308/24-168	High Density	26	M24308/24-168
28	M24308/24-169	M24308/24-169	High Density	44	M24308/24-169
29	M24308/24-170	M24308/24-170	High Density	62	M24308/24-170
30	M24308/24-171	M24308/24-171	High Density	78	M24308/24-171

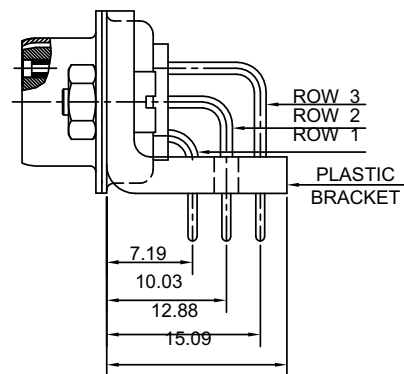
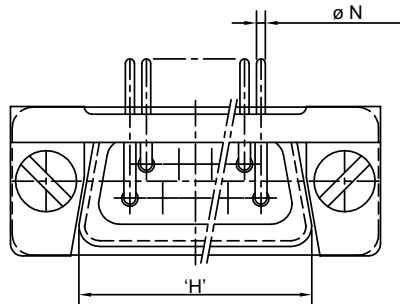
# Standard Density Right Angle PC Tail Type Socket Contact Connector



09 TO 37 PIN



STD-THROUGH HOLE.



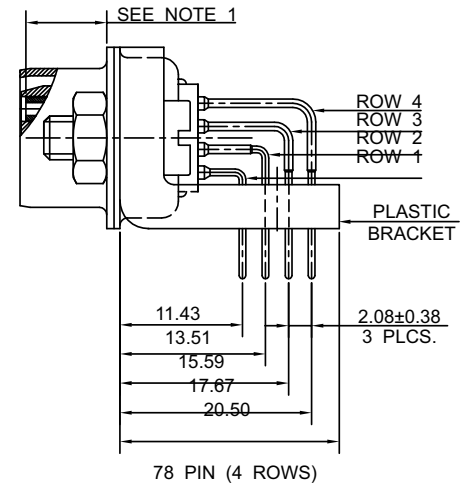
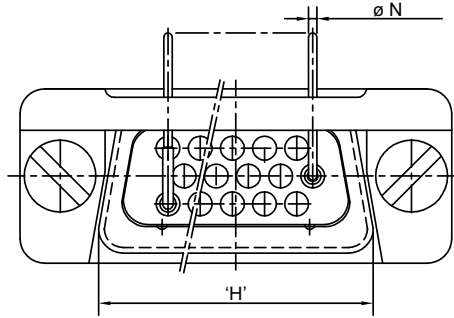
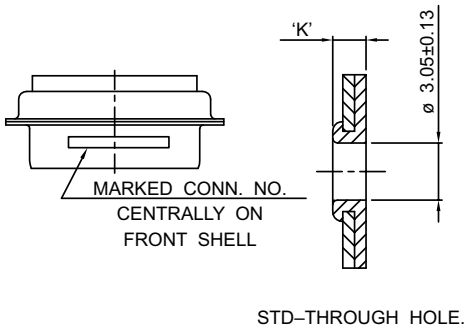
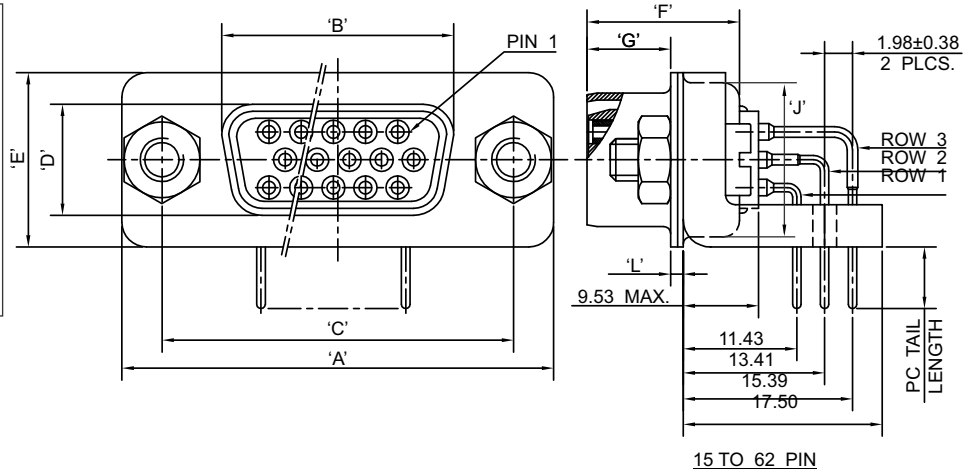
50 PIN (3 ROWS)

DIMENSION TABLE :

SHELL SIZE	STANDARD DENSITY NO. OF PINS	'A'	'B'	'C'	'D'	'E'	'F'	'G'	'H'	'J'	'K'	'L'	PC TAIL LENGTH		
													'X'	'Y'	'Z'
1	09	31.19	16.46	25.12	8.03	12.93	11.15	6.30	19.53	10.97	1.52	1.02			
		30.43	16.21	24.87	7.77	12.17	10.64	6.05	19.02	10.46	0.89	0.51			
2	15	39.52	24.79	33.45	8.03	12.93	11.15	6.30	27.76	10.97	1.52	1.02			
		38.76	24.54	33.20	7.77	12.17	10.64	6.05	27.25	10.46	0.89	0.51			
3	25	53.42	38.51	47.17	8.03	12.93	11.15	6.30	41.53	10.97	1.52	1.24	4.70	5.33	3.91
		52.65	38.25	46.91	7.77	12.17	10.64	6.05	41.02	10.46	0.89	0.74			
4	37	69.70	54.97	63.63	8.03	12.93	11.15	6.30	57.96	10.97	1.52	1.24			
		68.94	54.71	63.37	7.77	12.17	10.64	6.05	57.45	10.46	0.89	0.74			
5	50	67.31	52.55	61.24	10.87	15.75	11.15	6.30	55.58	13.82	1.52	1.24			
		66.55	52.30	60.99	10.62	14.99	10.64	6.05	55.07	13.31	0.89	0.74			

- NOTES :
1. DIMENSION ARE 3.63MM MINIMUM (FOR SIZE 1,2,3,4,5)
  2. SCREW & NUT IS USE ONLY FOR TRANSPORTATION PURPOSE.

# H High Density Right Angle PC Tail Type Connector Socket Contact Connector



DIMENSION TABLE :

SHELL SIZE	HIGH DENSITY NO. OF PINS	'A'	'B'	'C'	'D'	'E'	'F'	'G'	'H'	'J'	'K'	'L'	PC TAIL LENGTH
													'X'
1	15	31.19	16.46	25.12	8.03	12.93	11.15	6.30	19.53	10.97	1.52	1.02	3.91 2.51
		30.43	16.21	24.87	7.77	12.17	10.64	6.05	19.02	10.46	0.89	0.51	
2	26	39.52	24.79	33.45	8.03	12.93	11.15	6.30	27.76	10.97	1.52	1.02	
		38.76	24.54	33.20	7.77	12.17	10.64	6.05	27.25	10.46	0.89	0.51	
3	44	53.42	38.51	47.17	8.03	12.93	11.15	6.30	41.53	10.97	1.52	1.24	
		52.65	38.25	46.91	7.77	12.17	10.64	6.05	41.02	10.46	0.89	0.74	
4	62	69.70	54.97	63.63	8.03	12.93	11.15	6.30	57.96	10.97	1.52	1.24	
		68.94	54.71	63.37	7.77	12.17	10.64	6.05	57.45	10.46	0.89	0.74	
5	78	67.31	52.55	61.24	10.87	15.75	11.15	6.30	55.58	13.82	1.52	1.24	
		66.55	52.30	60.99	10.62	14.99	10.64	6.05	55.07	13.31	0.89	0.74	

NOTES :

1. DIMENSION ARE 3.63MM MINIMUM (FOR SIZE 1,2,3,4,5)
2. SCREW & NUT IS USE ONLY FOR TRANSPORTATION PURPOSE.

Application Dash Number	Application Board Thickness	Nominal Pin Diameter	PC Tail Length	Pin Diameter (N)
M24308/23-1 Through M24308/23-5	2.39 mm	0.76 mm	4.70 mm 3.30 mm	0.84 mm 0.69 mm
M24308/23-7 Through M24308/23-11	3.18 mm	0.76 mm	5.33 mm 3.94 mm	0.84 mm 0.69 mm
M24308/23-13 Through M24308/23-17	2.39 mm	1.02 mm	4.70 mm 3.30 mm	1.09 mm 0.94 mm
M24308/23-19 Through M24308/23-23	3.18 mm	1.02 mm	5.33 mm 3.94 mm	1.09 mm 0.94 mm
M24308/23-25 Through M24308/23-29	1.57 mm	0.76 mm	3.91 mm 2.51 mm	0.84 mm 0.69 mm
M24308/23-31 Through M24308/23-35	2.39 mm	0.76 mm	4.70 mm 3.30 mm	0.84 mm 0.69 mm
M24308/23-37 Through M24308/23-41	1.57 mm	1.02 mm	3.91 mm 2.51 mm	1.09 mm 0.94 mm
M24308/23-43 Through M24308/23-47	2.39 mm	1.02 mm	4.70 mm 3.30 mm	1.09 mm 0.94 mm
M24308/23-49 Through M24308/23-53	3.18 mm	0.76 mm	5.33 mm 3.94 mm	0.84 mm 0.69 mm
M24308/23-55 Through M24308/23-59	3.18 mm	1.02 mm	5.33 mm 3.94 mm	1.09 mm 0.94 mm
M24308/23-61 Through M24308/23-65	2.39 mm	0.51 mm	4.70 mm 3.30 mm	0.58 mm 0.43 mm
M24308/23-67 Through M24308/23-71	3.18 mm	0.51 mm	8.13 mm 6.99 mm	0.58 mm 0.43 mm
M24308/23-73 Through M24308/23-77	1.57 mm	0.51 mm	3.91 mm 2.51 mm	0.58 mm 0.43 mm



Sr. No.	Military Designation	Manufacturers Designation	Type	No. of Pins	Marking On The Connector
1	M24308/23-25F	M2000/23-25F	Standard	9	M24308/23-25F
2	M24308/23-26F	M2000/23-26F	Standard	15	M24308/23-26F
3	M24308/23-27F	M2000/23-27F	Standard	25	M24308/23-27F
4	M24308/23-28F	M2000/23-28F	Standard	37	M24308/23-28F
5	M24308/23-29F	M2000/23-29F	Standard	50	M24308/23-29F
6	M24308/23-31F	M2000/23-31F	Standard	9	M24308/23-31F
7	M24308/23-32F	M2000/23-32F	Standard	15	M24308/23-32F
8	M24308/23-33F	M2000/23-33F	Standard	25	M24308/23-33F
9	M24308/23-34F	M2000/23-34F	Standard	37	M24308/23-34F
10	M24308/23-35F	M2000/23-35F	Standard	50	M24308/23-35F
11	M24308/23-37F	M2000/23-37F	Standard	9	M24308/23-37F
12	M24308/23-38F	M2000/23-38F	Standard	15	M24308/23-38F
13	M24308/23-39F	M2000/23-39F	Standard	25	M24308/23-39F
14	M24308/23-40F	M2000/23-40F	Standard	37	M24308/23-40F
15	M24308/23-41F	M2000/23-41F	Standard	50	M24308/23-41F
16	M24308/23-43F	M2000/23-43F	Standard	9	M24308/23-43F
17	M24308/23-44F	M2000/23-44F	Standard	15	M24308/23-44F
18	M24308/23-45F	M2000/23-45F	Standard	25	M24308/23-45F
19	M24308/23-46F	M2000/23-46F	Standard	37	M24308/23-46F
20	M24308/23-47F	M2000/23-47F	Standard	50	M24308/23-47F
21	M24308/23-49F	M2000/23-49F	Standard	9	M24308/23-49F
22	M24308/23-50F	M2000/23-50F	Standard	15	M24308/23-50F
23	M24308/23-51F	M2000/23-51F	Standard	25	M24308/23-51F
24	M24308/23-52F	M2000/23-52F	Standard	37	M24308/23-52F
25	M24308/23-53F	M2000/23-53F	Standard	50	M24308/23-53F
26	M24308/23-55F	M2000/23-55F	Standard	9	M24308/23-55F
27	M24308/23-56F	M2000/23-56F	Standard	15	M24308/23-56F
28	M24308/23-57F	M2000/23-57F	Standard	25	M24308/23-57F
29	M24308/23-58F	M2000/23-58F	Standard	37	M24308/23-58F
30	M24308/23-59F	M2000/23-59F	Standard	50	M24308/23-59F
31	M24308/23-73F	M2000/23-73F	High Density	15	M24308/23-73F
32	M24308/23-74F	M2000/23-74F	High Density	26	M24308/23-74F
33	M24308/23-75F	M2000/23-75F	High Density	44	M24308/23-75F
34	M24308/23-76F	M2000/23-76F	High Density	62	M24308/23-76F
35	M24308/23-77F	M2000/23-77F	High Density	78	M24308/23-77F



Sr. No.	Military Designation	Manufacturers Designation	Type	No. of Pins	Marking On The Connector
36	M24308/23-25Z	M2000/23-25Z	Standard	9	M24308/23-25Z
37	M24308/23-26Z	M2000/23-26Z	Standard	15	M24308/23-26Z
38	M24308/23-27Z	M2000/23-27Z	Standard	25	M24308/23-27Z
39	M24308/23-28Z	M2000/23-28Z	Standard	37	M24308/23-28Z
40	M24308/23-29Z	M2000/23-29Z	Standard	50	M24308/23-29Z
41	M24308/23-31Z	M2000/23-31Z	Standard	9	M24308/23-31Z
42	M24308/23-32Z	M2000/23-32Z	Standard	15	M24308/23-32Z
43	M24308/23-33Z	M2000/23-33Z	Standard	25	M24308/23-33Z
44	M24308/23-34Z	M2000/23-34Z	Standard	37	M24308/23-34Z
45	M24308/23-35Z	M2000/23-35Z	Standard	50	M24308/23-35Z
46	M24308/23-37Z	M2000/23-37Z	Standard	9	M24308/23-37Z
47	M24308/23-38Z	M2000/23-38Z	Standard	15	M24308/23-38Z
48	M24308/23-39Z	M2000/23-39Z	Standard	25	M24308/23-39Z
49	M24308/23-40Z	M2000/23-40Z	Standard	37	M24308/23-40Z
50	M24308/23-41Z	M2000/23-41Z	Standard	50	M24308/23-41Z
51	M24308/23-43Z	M2000/23-43Z	Standard	9	M24308/23-43Z
52	M24308/23-44Z	M2000/23-44Z	Standard	15	M24308/23-44Z
53	M24308/23-45Z	M2000/23-45Z	Standard	25	M24308/23-45Z
54	M24308/23-46Z	M2000/23-46Z	Standard	37	M24308/23-46Z
55	M24308/23-47Z	M2000/23-47Z	Standard	50	M24308/23-47Z
56	M24308/23-49Z	M2000/23-49Z	Standard	9	M24308/23-49Z
57	M24308/23-50Z	M2000/23-50Z	Standard	15	M24308/23-50Z
58	M24308/23-51Z	M2000/23-51Z	Standard	25	M24308/23-51Z
59	M24308/23-52Z	M2000/23-52Z	Standard	37	M24308/23-52Z
60	M24308/23-53Z	M2000/23-53Z	Standard	50	M24308/23-53Z
61	M24308/23-55Z	M2000/23-55Z	Standard	9	M24308/23-55Z
62	M24308/23-56Z	M2000/23-56Z	Standard	15	M24308/23-56Z
63	M24308/23-57Z	M2000/23-57Z	Standard	25	M24308/23-57Z
64	M24308/23-58Z	M2000/23-58Z	Standard	37	M24308/23-58Z
65	M24308/23-59Z	M2000/23-59Z	Standard	50	M24308/23-59Z
66	M24308/23-73Z	M2000/23-73Z	High Density	15	M24308/23-73Z
67	M24308/23-74Z	M2000/23-74Z	High Density	26	M24308/23-74Z
68	M24308/23-75Z	M2000/23-75Z	High Density	44	M24308/23-75Z
69	M24308/23-76Z	M2000/23-76Z	High Density	62	M24308/23-76Z
70	M24308/23-77Z	M2000/23-77Z	High Density	78	M24308/23-77Z





Sr. No.	Military Designation	Manufacturers Designation	Type	No. of Pins	Marking On The Connector
71	M24308/23-25K	M2000/23-25K	Standard	9	M24308/23-25K
72	M24308/23-26K	M2000/23-26K	Standard	15	M24308/23-26K
73	M24308/23-27K	M2000/23-27K	Standard	25	M24308/23-27K
74	M24308/23-28K	M2000/23-28K	Standard	37	M24308/23-28K
75	M24308/23-29K	M2000/23-29K	Standard	50	M24308/23-29K
76	M24308/23-31K	M2000/23-31K	Standard	9	M24308/23-31K
77	M24308/23-32K	M2000/23-32K	Standard	15	M24308/23-32K
78	M24308/23-33K	M2000/23-33K	Standard	25	M24308/23-33K
79	M24308/23-34K	M2000/23-34K	Standard	37	M24308/23-34K
80	M24308/23-35K	M2000/23-35K	Standard	50	M24308/23-35K
81	M24308/23-37K	M2000/23-37K	Standard	9	M24308/23-37K
82	M24308/23-38K	M2000/23-38K	Standard	15	M24308/23-38K
83	M24308/23-39K	M2000/23-39K	Standard	25	M24308/23-39K
84	M24308/23-40K	M2000/23-40K	Standard	37	M24308/23-40K
85	M24308/23-41K	M2000/23-41K	Standard	50	M24308/23-41K
86	M24308/23-43K	M2000/23-43K	Standard	9	M24308/23-43K
87	M24308/23-44K	M2000/23-44K	Standard	15	M24308/23-44K
88	M24308/23-45K	M2000/23-45K	Standard	25	M24308/23-45K
89	M24308/23-46K	M2000/23-46K	Standard	37	M24308/23-46K
90	M24308/23-47K	M2000/23-47K	Standard	50	M24308/23-47K
91	M24308/23-49K	M2000/23-49K	Standard	9	M24308/23-49K
92	M24308/23-50K	M2000/23-50K	Standard	15	M24308/23-50K
93	M24308/23-51K	M2000/23-51K	Standard	25	M24308/23-51K
94	M24308/23-52K	M2000/23-52K	Standard	37	M24308/23-52K
95	M24308/23-53K	M2000/23-53K	Standard	50	M24308/23-53K
96	M24308/23-55K	M2000/23-55K	Standard	9	M24308/23-55K
97	M24308/23-56K	M2000/23-56K	Standard	15	M24308/23-56K
98	M24308/23-57K	M2000/23-57K	Standard	25	M24308/23-57K
99	M24308/23-58K	M2000/23-58K	Standard	37	M24308/23-58K
100	M24308/23-59K	M2000/23-59K	Standard	50	M24308/23-59K
101	M24308/23-73K	M2000/23-73K	High Density	15	M24308/23-73K
102	M24308/23-74K	M2000/23-74K	High Density	26	M24308/23-74K
103	M24308/23-75K	M2000/23-75K	High Density	44	M24308/23-75K
104	M24308/23-76K	M2000/23-76K	High Density	62	M24308/23-76K
105	M24308/23-77K	M2000/23-77K	High Density	78	M24308/23-77K



Sr. No.	Military Designation	Manufacturers Designation	Type	No. of Pins	Marking On The Connector
1	M24308/23-325	M24308/23-325	Standard	9	M24308/23-325
2	M24308/23-326	M24308/23-326	Standard	15	M24308/23-326
3	M24308/23-327	M24308/23-327	Standard	25	M24308/23-327
4	M24308/23-328	M24308/23-328	Standard	37	M24308/23-328
5	M24308/23-329	M24308/23-329	Standard	50	M24308/23-329
6	M24308/23-331	M24308/23-331	Standard	9	M24308/23-331
7	M24308/23-332	M24308/23-332	Standard	15	M24308/23-332
8	M24308/23-333	M24308/23-333	Standard	25	M24308/23-333
9	M24308/23-334	M24308/23-334	Standard	37	M24308/23-334
10	M24308/23-335	M24308/23-335	Standard	50	M24308/23-335
11	M24308/23-337	M24308/23-337	Standard	9	M24308/23-337
12	M24308/23-338	M24308/23-338	Standard	15	M24308/23-338
13	M24308/23-339	M24308/23-339	Standard	25	M24308/23-339
14	M24308/23-340	M24308/23-340	Standard	37	M24308/23-340
15	M24308/23-341	M24308/23-341	Standard	50	M24308/23-341
16	M24308/23-343	M24308/23-343	Standard	9	M24308/23-343
17	M24308/23-344	M24308/23-344	Standard	15	M24308/23-344
18	M24308/23-345	M24308/23-345	Standard	25	M24308/23-345
19	M24308/23-346	M24308/23-346	Standard	37	M24308/23-346
20	M24308/23-347	M24308/23-347	Standard	50	M24308/23-347
21	M24308/23-349	M24308/23-349	Standard	9	M24308/23-349
22	M24308/23-350	M24308/23-350	Standard	15	M24308/23-350
23	M24308/23-351	M24308/23-351	Standard	25	M24308/23-351
24	M24308/23-352	M24308/23-352	Standard	37	M24308/23-352
25	M24308/23-353	M24308/23-353	Standard	50	M24308/23-353
26	M24308/23-355	M24308/23-355	Standard	9	M24308/23-355
27	M24308/23-356	M24308/23-356	Standard	15	M24308/23-356
28	M24308/23-357	M24308/23-357	Standard	25	M24308/23-357
29	M24308/23-358	M24308/23-358	Standard	37	M24308/23-358
30	M24308/23-359	M24308/23-359	Standard	50	M24308/23-359
31	M24308/23-373	M24308/23-373	High Density	15	M24308/23-373
32	M24308/23-374	M24308/23-374	High Density	26	M24308/23-374
33	M24308/23-375	M24308/23-375	High Density	44	M24308/23-375
34	M24308/23-376	M24308/23-376	High Density	62	M24308/23-376
35	M24308/23-377	M24308/23-377	High Density	78	M24308/23-377



Sr. No.	Military Designation	Manufacturers Designation	Type	No. of Pins	Marking On The Connector
1	M24308/23-225F	M2000/23-225F	Standard	9	M24308/23-225F
2	M24308/23-226F	M2000/23-226F	Standard	15	M24308/23-226F
3	M24308/23-227F	M2000/23-227F	Standard	25	M24308/23-227F
4	M24308/23-228F	M2000/23-228F	Standard	37	M24308/23-228F
5	M24308/23-229F	M2000/23-229F	Standard	50	M24308/23-229F
6	M24308/23-231F	M2000/23-231F	Standard	9	M24308/23-231F
7	M24308/23-232F	M2000/23-232F	Standard	15	M24308/23-232F
8	M24308/23-233F	M2000/23-233F	Standard	25	M24308/23-233F
9	M24308/23-234F	M2000/23-234F	Standard	37	M24308/23-234F
10	M24308/23-235F	M2000/23-235F	Standard	50	M24308/23-235F
11	M24308/23-237F	M2000/23-237F	Standard	9	M24308/23-237F
12	M24308/23-238F	M2000/23-238F	Standard	15	M24308/23-238F
13	M24308/23-239F	M2000/23-239F	Standard	25	M24308/23-239F
14	M24308/23-240F	M2000/23-240F	Standard	37	M24308/23-240F
15	M24308/23-241F	M2000/23-241F	Standard	50	M24308/23-241F
16	M24308/23-243F	M2000/23-243F	Standard	9	M24308/23-243F
17	M24308/23-244F	M2000/23-244F	Standard	15	M24308/23-244F
18	M24308/23-245F	M2000/23-245F	Standard	25	M24308/23-245F
19	M24308/23-246F	M2000/23-246F	Standard	37	M24308/23-246F
20	M24308/23-247F	M2000/23-247F	Standard	50	M24308/23-247F
21	M24308/23-249F	M2000/23-249F	Standard	9	M24308/23-249F
22	M24308/23-250F	M2000/23-250F	Standard	15	M24308/23-250F
23	M24308/23-251F	M2000/23-251F	Standard	25	M24308/23-251F
24	M24308/23-252F	M2000/23-252F	Standard	37	M24308/23-252F
25	M24308/23-253F	M2000/23-253F	Standard	50	M24308/23-253F
26	M24308/23-255F	M2000/23-255F	Standard	9	M24308/23-255F
27	M24308/23-256F	M2000/23-256F	Standard	15	M24308/23-256F
28	M24308/23-257F	M2000/23-257F	Standard	25	M24308/23-257F
29	M24308/23-258F	M2000/23-258F	Standard	37	M24308/23-258F
30	M24308/23-259F	M2000/23-259F	Standard	50	M24308/23-259F
31	M24308/23-273F	M2000/23-273F	High Density	15	M24308/23-273F
32	M24308/23-274F	M2000/23-274F	High Density	26	M24308/23-274F
33	M24308/23-275F	M2000/23-275F	High Density	44	M24308/23-275F
34	M24308/23-276F	M2000/23-276F	High Density	62	M24308/23-276F
35	M24308/23-277F	M2000/23-277F	High Density	78	M24308/23-277F

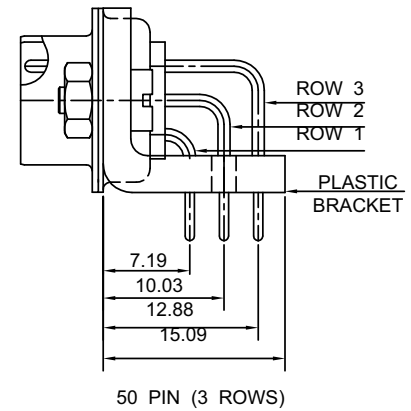
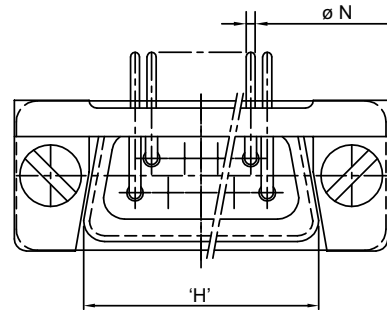
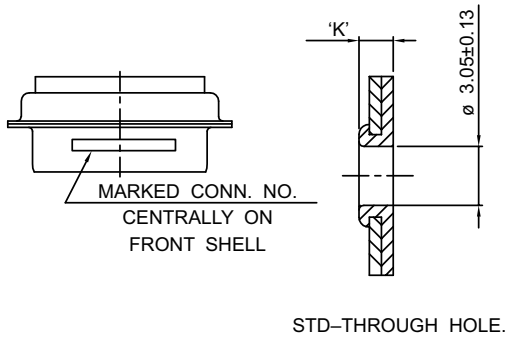
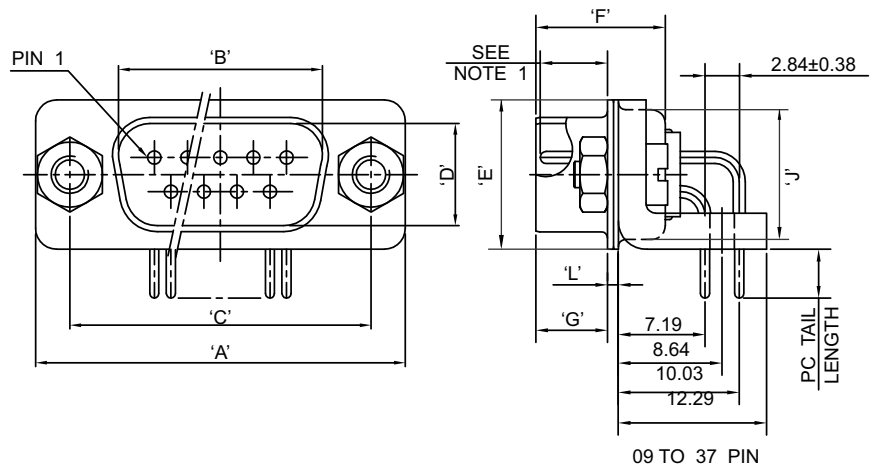
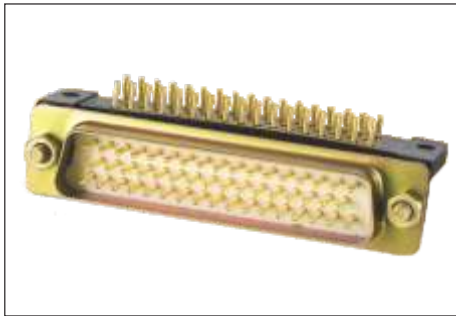


Sr. No.	Military Designation	Manufacturers Designation	Type	No. of Pins	Marking On The Connector
36	M24308/23-225Z	M2000/23-225Z	Standard	9	M24308/23-225Z
37	M24308/23-226Z	M2000/23-226Z	Standard	15	M24308/23-226Z
38	M24308/23-227Z	M2000/23-227Z	Standard	25	M24308/23-227Z
39	M24308/23-228Z	M2000/23-228Z	Standard	37	M24308/23-228Z
40	M24308/23-229Z	M2000/23-229Z	Standard	50	M24308/23-229Z
41	M24308/23-231Z	M2000/23-231Z	Standard	9	M24308/23-231Z
42	M24308/23-232Z	M2000/23-232Z	Standard	15	M24308/23-232Z
43	M24308/23-233Z	M2000/23-233Z	Standard	25	M24308/23-233Z
44	M24308/23-234Z	M2000/23-234Z	Standard	37	M24308/23-234Z
45	M24308/23-235Z	M2000/23-235Z	Standard	50	M24308/23-235Z
46	M24308/23-237Z	M2000/23-237Z	Standard	9	M24308/23-237Z
47	M24308/23-238Z	M2000/23-238Z	Standard	15	M24308/23-238Z
48	M24308/23-239Z	M2000/23-239Z	Standard	25	M24308/23-239Z
49	M24308/23-240Z	M2000/23-240Z	Standard	37	M24308/23-240Z
50	M24308/23-241Z	M2000/23-241Z	Standard	50	M24308/23-241Z
51	M24308/23-243Z	M2000/23-243Z	Standard	9	M24308/23-243Z
52	M24308/23-244Z	M2000/23-244Z	Standard	15	M24308/23-244Z
53	M24308/23-245Z	M2000/23-245Z	Standard	25	M24308/23-245Z
54	M24308/23-246Z	M2000/23-246Z	Standard	37	M24308/23-246Z
55	M24308/23-247Z	M2000/23-247Z	Standard	50	M24308/23-247Z
56	M24308/23-249Z	M2000/23-249Z	Standard	9	M24308/23-249Z
57	M24308/23-250Z	M2000/23-250Z	Standard	15	M24308/23-250Z
58	M24308/23-251Z	M2000/23-251Z	Standard	25	M24308/23-251Z
59	M24308/23-252Z	M2000/23-252Z	Standard	37	M24308/23-252Z
60	M24308/23-253Z	M2000/23-253Z	Standard	50	M24308/23-253Z
61	M24308/23-255Z	M2000/23-255Z	Standard	9	M24308/23-255Z
62	M24308/23-256Z	M2000/23-256Z	Standard	15	M24308/23-256Z
63	M24308/23-257Z	M2000/23-257Z	Standard	25	M24308/23-257Z
64	M24308/23-258Z	M2000/23-258Z	Standard	37	M24308/23-258Z
65	M24308/23-259Z	M2000/23-259Z	Standard	50	M24308/23-259Z
66	M24308/23-273Z	M2000/23-273Z	High Density	15	M24308/23-273Z
67	M24308/23-274Z	M2000/23-274Z	High Density	26	M24308/23-274Z
68	M24308/23-275Z	M2000/23-275Z	High Density	44	M24308/23-275Z
69	M24308/23-276Z	M2000/23-276Z	High Density	62	M24308/23-276Z
70	M24308/23-277Z	M2000/23-277Z	High Density	78	M24308/23-277Z



Sr. No.	Military Designation	Manufacturers Designation	Type	No. of Pins	Marking On The Connector
1	M24308/23-125	M24308/23-125	Standard	9	M24308/23-125
2	M24308/23-126	M24308/23-126	Standard	15	M24308/23-126
3	M24308/23-127	M24308/23-127	Standard	25	M24308/23-127
4	M24308/23-128	M24308/23-128	Standard	37	M24308/23-128
5	M24308/23-129	M24308/23-129	Standard	50	M24308/23-129
6	M24308/23-131	M24308/23-131	Standard	9	M24308/23-131
7	M24308/23-132	M24308/23-132	Standard	15	M24308/23-132
8	M24308/23-133	M24308/23-133	Standard	25	M24308/23-133
9	M24308/23-134	M24308/23-134	Standard	37	M24308/23-134
10	M24308/23-135	M24308/23-135	Standard	50	M24308/23-135
11	M24308/23-137	M24308/23-137	Standard	9	M24308/23-137
12	M24308/23-138	M24308/23-138	Standard	15	M24308/23-138
13	M24308/23-139	M24308/23-139	Standard	25	M24308/23-139
14	M24308/23-140	M24308/23-140	Standard	37	M24308/23-140
15	M24308/23-141	M24308/23-141	Standard	50	M24308/23-141
16	M24308/23-143	M24308/23-143	Standard	9	M24308/23-143
17	M24308/23-144	M24308/23-144	Standard	15	M24308/23-144
18	M24308/23-145	M24308/23-145	Standard	25	M24308/23-145
19	M24308/23-146	M24308/23-146	Standard	37	M24308/23-146
20	M24308/23-147	M24308/23-147	Standard	50	M24308/23-147
21	M24308/23-149	M24308/23-149	Standard	9	M24308/23-149
22	M24308/23-150	M24308/23-150	Standard	15	M24308/23-150
23	M24308/23-151	M24308/23-151	Standard	25	M24308/23-151
24	M24308/23-152	M24308/23-152	Standard	37	M24308/23-152
25	M24308/23-153	M24308/23-153	Standard	50	M24308/23-153
26	M24308/23-155	M24308/23-155	Standard	9	M24308/23-155
27	M24308/23-156	M24308/23-156	Standard	15	M24308/23-156
28	M24308/23-157	M24308/23-157	Standard	25	M24308/23-157
29	M24308/23-158	M24308/23-158	Standard	37	M24308/23-158
30	M24308/23-159	M24308/23-159	Standard	50	M24308/23-159
31	M24308/23-173	M24308/23-173	High Density	15	M24308/23-173
32	M24308/23-174	M24308/23-174	High Density	26	M24308/23-174
33	M24308/23-175	M24308/23-175	High Density	44	M24308/23-175
34	M24308/23-176	M24308/23-176	High Density	62	M24308/23-176
35	M24308/23-177	M24308/23-177	High Density	78	M24308/23-177

# Standard Density Right Angle PC Tail Type Plug Contact Connector

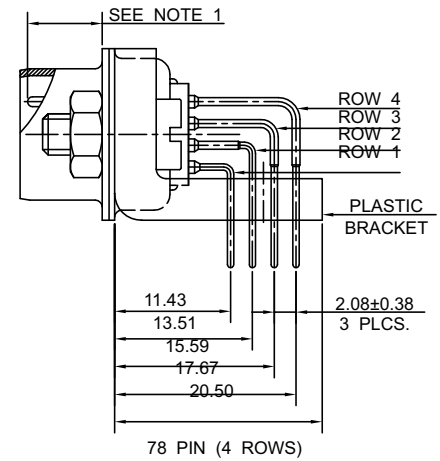
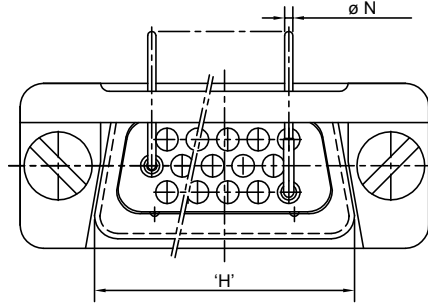
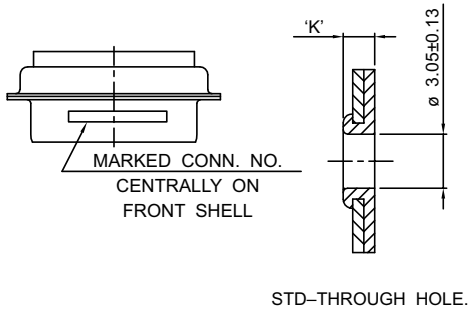
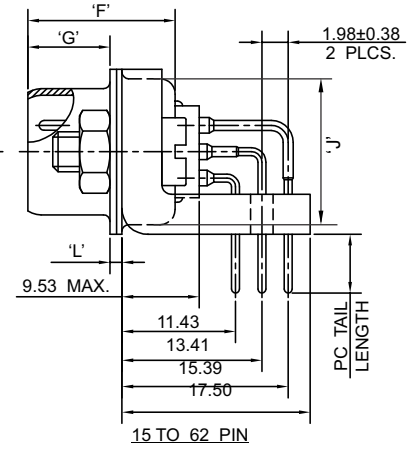
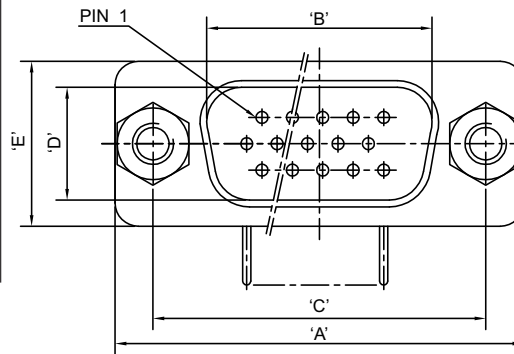


DIMENSION TABLE :

SHELL SIZE	STANDARD DENSITY NO. OF PINS	'A'	'B'	'C'	'D'	'E'	'F'	'G'	'H'	'J'	'K'	'L'	PC TAIL LENGTH		
													'X'	'Y'	'Z'
1	09	31.19	17.04	25.12	8.48	12.93	10.97	6.05	19.53	10.97	1.52	1.02			
		30.43	16.79	24.87	8.23	12.17	10.46	5.82	19.02	10.46	0.89	0.51			
2	15	39.52	25.37	33.45	8.48	12.93	10.97	6.05	27.76	10.97	1.52	1.02			
		38.76	25.12	33.20	8.23	12.17	10.46	5.82	27.25	10.46	0.89	0.51			
3	25	53.42	39.09	47.17	8.48	12.93	11.07	5.99	41.53	10.97	1.78	1.24	4.70	5.33	3.91
		52.65	38.84	46.91	8.23	12.17	10.57	5.69	41.02	10.46	1.27	0.74			
4	37	69.70	55.55	63.63	8.48	12.93	11.07	5.99	57.96	10.97	1.78	1.24			
		68.94	55.30	63.37	8.23	12.17	10.57	5.69	57.45	10.46	1.27	0.74			
5	50	67.31	52.93	61.24	11.33	15.75	11.07	5.99	55.58	13.82	1.78	1.24			
		66.55	52.68	60.99	11.07	14.99	10.57	5.69	55.07	13.31	1.27	0.74			

NOTES :  
 1. DIMENSION ARE 3.81MM MIN. (FOR SIZE 3,4,5) AND 4.04MM MIN.(SIZE 1,2).  
 2. SCREW & NUT IS USE ONLY FOR TRANSPORTATION PURPOSE.

# H High Density Right Angle PC Tail Type Connector Plug Contact Connector



DIMENSION TABLE :

SHELL SIZE	HIGH DENSITY NO. OF PINS	'A'	'B'	'C'	'D'	'E'	'F'	'G'	'H'	'J'	'K'	'L'	PC TAIL LENGTH 'X'
2	26	39.52 38.76	25.37 25.12	33.45 33.20	8.48 8.23	12.93 12.17	10.97 10.46	6.12 5.82	27.76 27.25	10.97 10.46	1.52 0.89	1.02 0.51	
3	44	53.42 52.65	39.09 38.84	47.17 46.91	8.48 8.23	12.93 12.17	11.07 10.57	5.99 5.69	41.53 41.02	10.97 10.46	1.78 1.27	1.24 0.74	
4	62	69.70 68.94	55.55 55.30	63.63 63.37	8.48 8.23	12.93 12.17	11.07 10.57	5.99 5.69	57.96 57.45	10.97 10.46	1.78 1.27	1.24 0.74	
5	78	67.31 66.55	52.93 52.68	61.24 60.99	11.33 11.07	15.75 14.99	11.07 10.57	5.99 5.69	55.58 55.07	13.82 13.31	1.78 1.27	1.24 0.74	

- NOTES :
1. DIMENSION ARE 3.81MM MINIMUM (FOR SIZE 3,4,5) AND 4.04MM MIN.(SIZE 1,2).
  2. SCREW & NUT IS USE ONLY FOR TRANSPORTATION PURPOSE.



Application Dash Number	Application Board Thickness	Nominal Pin Diameter	PC Tail Length	Pin Diameter (N)
M24308/24-1 Through M24308/24-5	2.39 mm	0.76 mm	4.70 mm 3.30 mm	0.84 mm 0.69 mm
M24308/24-7 Through M24308/24-11	3.18 mm	0.76 mm	5.33 mm 3.94 mm	0.84 mm 0.69 mm
M24308/24-13 Through M24308/24-17	2.39 mm	1.02 mm	4.70 mm 3.30 mm	1.09 mm 0.94 mm
M24308/24-19 Through M24308/24-23	3.18 mm	1.02 mm	5.33 mm 3.94 mm	1.09 mm 0.94 mm
M24308/24-25 Through M24308/24-29	1.57 mm	0.76 mm	3.91 mm 2.51 mm	0.84 mm 0.69 mm
M24308/24-31 Through M24308/24-35	2.39 mm	0.76 mm	4.70 mm 3.30 mm	0.84 mm 0.69 mm
M24308/24-37 Through M24308/24-41	1.57 mm	1.02 mm	3.91 mm 2.51 mm	1.09 mm 0.94 mm
M24308/24-43 Through M24308/24-47	2.39 mm	1.02 mm	4.70 mm 3.30 mm	1.09 mm 0.94 mm
M24308/24-49 Through M24308/24-53	3.18 mm	0.76 mm	5.33 mm 3.94 mm	0.84 mm 0.69 mm
M24308/24-55 Through M24308/24-59	3.18 mm	1.02 mm	5.33 mm 3.94 mm	1.09 mm 0.94 mm
M24308/24-61 Through M24308/24-65	2.39 mm	0.51 mm	4.70 mm 3.30 mm	0.58 mm 0.43 mm
M24308/24-67 Through M24308/24-71	3.18 mm	0.51 mm	8.13 mm 6.99 mm	0.58 mm 0.43 mm
M24308/24-73 Through M24308/24-77	1.57 mm	0.51 mm	3.91 mm 2.51 mm	0.58 mm 0.43 mm





Sr. No.	Military Designation	Manufacturers Designation	Type	No. of Pins	Marking On The Connector
1	M24308/24-25F	M2000/24-25F	Standard	9	M24308/24-25F
2	M24308/24-26F	M2000/24-26F	Standard	15	M24308/24-26F
3	M24308/24-27F	M2000/24-27F	Standard	25	M24308/24-27F
4	M24308/24-28F	M2000/24-28F	Standard	37	M24308/24-28F
5	M24308/24-29F	M2000/24-29F	Standard	50	M24308/24-29F
6	M24308/24-31F	M2000/24-31F	Standard	9	M24308/24-31F
7	M24308/24-32F	M2000/24-32F	Standard	15	M24308/24-32F
8	M24308/24-33F	M2000/24-33F	Standard	25	M24308/24-33F
9	M24308/24-34F	M2000/24-34F	Standard	37	M24308/24-34F
10	M24308/24-35F	M2000/24-35F	Standard	50	M24308/24-35F
11	M24308/24-37F	M2000/24-37F	Standard	9	M24308/24-37F
12	M24308/24-38F	M2000/24-38F	Standard	15	M24308/24-38F
13	M24308/24-39F	M2000/24-39F	Standard	25	M24308/24-39F
14	M24308/24-40F	M2000/24-40F	Standard	37	M24308/24-40F
15	M24308/24-41F	M2000/24-41F	Standard	50	M24308/24-41F
16	M24308/24-43F	M2000/24-43F	Standard	9	M24308/24-43F
17	M24308/24-44F	M2000/24-44F	Standard	15	M24308/24-44F
18	M24308/24-45F	M2000/24-45F	Standard	25	M24308/24-45F
19	M24308/24-46F	M2000/24-46F	Standard	37	M24308/24-46F
20	M24308/24-47F	M2000/24-47F	Standard	50	M24308/24-47F
21	M24308/24-49F	M2000/24-49F	Standard	9	M24308/24-49F
22	M24308/24-50F	M2000/24-50F	Standard	15	M24308/24-50F
23	M24308/24-51F	M2000/24-51F	Standard	25	M24308/24-51F
24	M24308/24-52F	M2000/24-52F	Standard	37	M24308/24-52F
25	M24308/24-53F	M2000/24-53F	Standard	50	M24308/24-53F
26	M24308/24-55F	M2000/24-55F	Standard	9	M24308/24-55F
27	M24308/24-56F	M2000/24-56F	Standard	15	M24308/24-56F
28	M24308/24-57F	M2000/24-57F	Standard	25	M24308/24-57F
29	M24308/24-58F	M2000/24-58F	Standard	37	M24308/24-58F
30	M24308/24-59F	M2000/24-59F	Standard	50	M24308/24-59F
31	M24308/24-73F	M2000/24-73F	High Density	15	M24308/24-73F
32	M24308/24-74F	M2000/24-74F	High Density	26	M24308/24-74F
33	M24308/24-75F	M2000/24-75F	High Density	44	M24308/24-75F
34	M24308/24-76F	M2000/24-76F	High Density	62	M24308/24-76F
35	M24308/24-77F	M2000/24-77F	High Density	78	M24308/24-77F



Sr. No.	Military Designation	Manufacturers Designation	Type	No. of Pins	Marking On The Connector
36	M24308/24-25Z	M2000/24-25Z	Standard	9	M24308/24-25Z
37	M24308/24-26Z	M2000/24-26Z	Standard	15	M24308/24-26Z
38	M24308/24-27Z	M2000/24-27Z	Standard	25	M24308/24-27Z
39	M24308/24-28Z	M2000/24-28Z	Standard	37	M24308/24-28Z
40	M24308/24-29Z	M2000/24-29Z	Standard	50	M24308/24-29Z
41	M24308/24-31Z	M2000/24-31Z	Standard	9	M24308/24-31Z
42	M24308/24-32Z	M2000/24-32Z	Standard	15	M24308/24-32Z
43	M24308/24-33Z	M2000/24-33Z	Standard	25	M24308/24-33Z
44	M24308/24-34Z	M2000/24-34Z	Standard	37	M24308/24-34Z
45	M24308/24-35Z	M2000/24-35Z	Standard	50	M24308/24-35Z
46	M24308/24-37Z	M2000/24-37Z	Standard	9	M24308/24-37Z
47	M24308/24-38Z	M2000/24-38Z	Standard	15	M24308/24-38Z
48	M24308/24-39Z	M2000/24-39Z	Standard	25	M24308/24-39Z
49	M24308/24-40Z	M2000/24-40Z	Standard	37	M24308/24-40Z
50	M24308/24-41Z	M2000/24-41Z	Standard	50	M24308/24-41Z
51	M24308/24-43Z	M2000/24-43Z	Standard	9	M24308/24-43Z
52	M24308/24-44Z	M2000/24-44Z	Standard	15	M24308/24-44Z
53	M24308/24-45Z	M2000/24-45Z	Standard	25	M24308/24-45Z
54	M24308/24-46Z	M2000/24-46Z	Standard	37	M24308/24-46Z
55	M24308/24-47Z	M2000/24-47Z	Standard	50	M24308/24-47Z
56	M24308/24-49Z	M2000/24-49Z	Standard	9	M24308/24-49Z
57	M24308/24-50Z	M2000/24-50Z	Standard	15	M24308/24-50Z
58	M24308/24-51Z	M2000/24-51Z	Standard	25	M24308/24-51Z
59	M24308/24-52Z	M2000/24-52Z	Standard	37	M24308/24-52Z
60	M24308/24-53Z	M2000/24-53Z	Standard	50	M24308/24-53Z
61	M24308/24-55Z	M2000/24-55Z	Standard	9	M24308/24-55Z
62	M24308/24-56Z	M2000/24-56Z	Standard	15	M24308/24-56Z
63	M24308/24-57Z	M2000/24-57Z	Standard	25	M24308/24-57Z
64	M24308/24-58Z	M2000/24-58Z	Standard	37	M24308/24-58Z
65	M24308/24-59Z	M2000/24-59Z	Standard	50	M24308/24-59Z
66	M24308/24-73Z	M2000/24-73Z	High Density	15	M24308/24-73Z
67	M24308/24-74Z	M2000/24-74Z	High Density	26	M24308/24-74Z
68	M24308/24-75Z	M2000/24-75Z	High Density	44	M24308/24-75Z
69	M24308/24-76Z	M2000/24-76Z	High Density	62	M24308/24-76Z
70	M24308/24-77Z	M2000/24-77Z	High Density	78	M24308/24-77Z



Sr. No.	Military Designation	Manufacturers Designation	Type	No. of Pins	Marking On The Connector
71	M24308/24-25K	M2000/24-25K	Standard	9	M24308/24-25K
72	M24308/24-26K	M2000/24-26K	Standard	15	M24308/24-26K
73	M24308/24-27K	M2000/24-27K	Standard	25	M24308/24-27K
74	M24308/24-28K	M2000/24-28K	Standard	37	M24308/24-28K
75	M24308/24-29K	M2000/24-29K	Standard	50	M24308/24-29K
76	M24308/24-31K	M2000/24-31K	Standard	9	M24308/24-31K
77	M24308/24-32K	M2000/24-32K	Standard	15	M24308/24-32K
78	M24308/24-33K	M2000/24-33K	Standard	25	M24308/24-33K
79	M24308/24-34K	M2000/24-34K	Standard	37	M24308/24-34K
80	M24308/24-35K	M2000/24-35K	Standard	50	M24308/24-35K
81	M24308/24-37K	M2000/24-37K	Standard	9	M24308/24-37K
82	M24308/24-38K	M2000/24-38K	Standard	15	M24308/24-38K
83	M24308/24-39K	M2000/24-39K	Standard	25	M24308/24-39K
84	M24308/24-40K	M2000/24-40K	Standard	37	M24308/24-40K
85	M24308/24-41K	M2000/24-41K	Standard	50	M24308/24-41K
86	M24308/24-43K	M2000/24-43K	Standard	9	M24308/24-43K
87	M24308/24-44K	M2000/24-44K	Standard	15	M24308/24-44K
88	M24308/24-45K	M2000/24-45K	Standard	25	M24308/24-45K
89	M24308/24-46K	M2000/24-46K	Standard	37	M24308/24-46K
90	M24308/24-47K	M2000/24-47K	Standard	50	M24308/24-47K
91	M24308/24-49K	M2000/24-49K	Standard	9	M24308/24-49K
92	M24308/24-50K	M2000/24-50K	Standard	15	M24308/24-50K
93	M24308/24-51K	M2000/24-51K	Standard	25	M24308/24-51K
94	M24308/24-52K	M2000/24-52K	Standard	37	M24308/24-52K
95	M24308/24-53K	M2000/24-53K	Standard	50	M24308/24-53K
96	M24308/24-55K	M2000/24-55K	Standard	9	M24308/24-55K
97	M24308/24-56K	M2000/24-56K	Standard	15	M24308/24-56K
98	M24308/24-57K	M2000/24-57K	Standard	25	M24308/24-57K
99	M24308/24-58K	M2000/24-58K	Standard	37	M24308/24-58K
100	M24308/24-59K	M2000/24-59K	Standard	50	M24308/24-59K
101	M24308/24-73K	M2000/24-73K	High Density	15	M24308/24-73K
102	M24308/24-74K	M2000/24-74K	High Density	26	M24308/24-74K
103	M24308/24-75K	M2000/24-75K	High Density	44	M24308/24-75K
104	M24308/24-76K	M2000/24-76K	High Density	62	M24308/24-76K
105	M24308/24-77K	M2000/24-77K	High Density	78	M24308/24-77K



Sr. No.	Military Designation	Manufacturers Designation	Type	No. of Pins	Marking On The Connector
1	M24308/24-325	M24308/24-325	Standard	9	M24308/24-325
2	M24308/24-326	M24308/24-326	Standard	15	M24308/24-326
3	M24308/24-327	M24308/24-327	Standard	25	M24308/24-327
4	M24308/24-328	M24308/24-328	Standard	37	M24308/24-328
5	M24308/24-329	M24308/24-329	Standard	50	M24308/24-329
6	M24308/24-331	M24308/24-331	Standard	9	M24308/24-331
7	M24308/24-332	M24308/24-332	Standard	15	M24308/24-332
8	M24308/24-333	M24308/24-333	Standard	25	M24308/24-333
9	M24308/24-334	M24308/24-334	Standard	37	M24308/24-334
10	M24308/24-335	M24308/24-335	Standard	50	M24308/24-335
11	M24308/24-337	M24308/24-337	Standard	9	M24308/24-337
12	M24308/24-338	M24308/24-338	Standard	15	M24308/24-338
13	M24308/24-339	M24308/24-339	Standard	25	M24308/24-339
14	M24308/24-340	M24308/24-340	Standard	37	M24308/24-340
15	M24308/24-341	M24308/24-341	Standard	50	M24308/24-341
16	M24308/24-343	M24308/24-343	Standard	9	M24308/24-343
17	M24308/24-344	M24308/24-344	Standard	15	M24308/24-344
18	M24308/24-345	M24308/24-345	Standard	25	M24308/24-345
19	M24308/24-346	M24308/24-346	Standard	37	M24308/24-346
20	M24308/24-347	M24308/24-347	Standard	50	M24308/24-347
21	M24308/24-349	M24308/24-349	Standard	9	M24308/24-349
22	M24308/24-350	M24308/24-350	Standard	15	M24308/24-350
23	M24308/24-351	M24308/24-351	Standard	25	M24308/24-351
24	M24308/24-352	M24308/24-352	Standard	37	M24308/24-352
25	M24308/24-353	M24308/24-353	Standard	50	M24308/24-353
26	M24308/24-355	M24308/24-355	Standard	9	M24308/24-355
27	M24308/24-356	M24308/24-356	Standard	15	M24308/24-356
28	M24308/24-357	M24308/24-357	Standard	25	M24308/24-357
29	M24308/24-358	M24308/24-358	Standard	37	M24308/24-358
30	M24308/24-359	M24308/24-359	Standard	50	M24308/24-359
31	M24308/24-373	M24308/24-373	High Density	15	M24308/24-373
32	M24308/24-374	M24308/24-374	High Density	26	M24308/24-374
33	M24308/24-375	M24308/24-375	High Density	44	M24308/24-375
34	M24308/24-376	M24308/24-376	High Density	62	M24308/24-376
35	M24308/24-377	M24308/24-377	High Density	78	M24308/24-377



Sr. No.	Military Designation	Manufacturers Designation	Type	No. of Pins	Marking On The Connector
1	M24308/24-225F	M2000/24-225F	Standard	9	M24308/24-225F
2	M24308/24-226F	M2000/24-226F	Standard	15	M24308/24-226F
3	M24308/24-227F	M2000/24-227F	Standard	25	M24308/24-227F
4	M24308/24-228F	M2000/24-228F	Standard	37	M24308/24-228F
5	M24308/24-229F	M2000/24-229F	Standard	50	M24308/24-229F
6	M24308/24-231F	M2000/24-231F	Standard	9	M24308/24-231F
7	M24308/24-232F	M2000/24-232F	Standard	15	M24308/24-232F
8	M24308/24-233F	M2000/24-233F	Standard	25	M24308/24-233F
9	M24308/24-234F	M2000/24-234F	Standard	37	M24308/24-234F
10	M24308/24-235F	M2000/24-235F	Standard	50	M24308/24-235F
11	M24308/24-237F	M2000/24-237F	Standard	9	M24308/24-237F
12	M24308/24-238F	M2000/24-238F	Standard	15	M24308/24-238F
13	M24308/24-239F	M2000/24-239F	Standard	25	M24308/24-239F
14	M24308/24-240F	M2000/24-240F	Standard	37	M24308/24-240F
15	M24308/24-241F	M2000/24-241F	Standard	50	M24308/24-241F
16	M24308/24-243F	M2000/24-243F	Standard	9	M24308/24-243F
17	M24308/24-244F	M2000/24-244F	Standard	15	M24308/24-244F
18	M24308/24-245F	M2000/24-245F	Standard	25	M24308/24-245F
19	M24308/24-246F	M2000/24-246F	Standard	37	M24308/24-246F
20	M24308/24-247F	M2000/24-247F	Standard	50	M24308/24-247F
21	M24308/24-249F	M2000/24-249F	Standard	9	M24308/24-249F
22	M24308/24-250F	M2000/24-250F	Standard	15	M24308/24-250F
23	M24308/24-251F	M2000/24-251F	Standard	25	M24308/24-251F
24	M24308/24-252F	M2000/24-252F	Standard	37	M24308/24-252F
25	M24308/24-253F	M2000/24-253F	Standard	50	M24308/24-253F
26	M24308/24-255F	M2000/24-255F	Standard	9	M24308/24-255F
27	M24308/24-256F	M2000/24-256F	Standard	15	M24308/24-256F
28	M24308/24-257F	M2000/24-257F	Standard	25	M24308/24-257F
29	M24308/24-258F	M2000/24-258F	Standard	37	M24308/24-258F
30	M24308/24-259F	M2000/24-259F	Standard	50	M24308/24-259F
31	M24308/24-273F	M2000/24-273F	High Density	15	M24308/24-273F
32	M24308/24-274F	M2000/24-274F	High Density	26	M24308/24-274F
33	M24308/24-275F	M2000/24-275F	High Density	44	M24308/24-275F
34	M24308/24-276F	M2000/24-276F	High Density	62	M24308/24-276F
35	M24308/24-277F	M2000/24-277F	High Density	78	M24308/24-277F



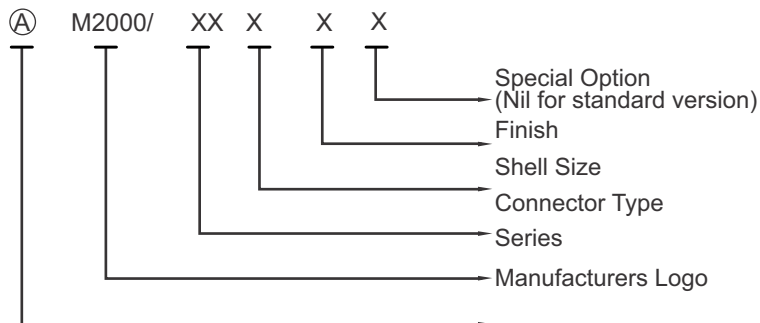
Sr. No.	Military Designation	Manufacturers Designation	Type	No. of Pins	Marking On The Connector
36	M24308/24-225Z	M2000/24-225Z	Standard	9	M24308/24-225Z
37	M24308/24-226Z	M2000/24-226Z	Standard	15	M24308/24-226Z
38	M24308/24-227Z	M2000/24-227Z	Standard	25	M24308/24-227Z
39	M24308/24-228Z	M2000/24-228Z	Standard	37	M24308/24-228Z
40	M24308/24-229Z	M2000/24-229Z	Standard	50	M24308/24-229Z
41	M24308/24-231Z	M2000/24-231Z	Standard	9	M24308/24-231Z
42	M24308/24-232Z	M2000/24-232Z	Standard	15	M24308/24-232Z
43	M24308/24-233Z	M2000/24-233Z	Standard	25	M24308/24-233Z
44	M24308/24-234Z	M2000/24-234Z	Standard	37	M24308/24-234Z
45	M24308/24-235Z	M2000/24-235Z	Standard	50	M24308/24-235Z
46	M24308/24-237Z	M2000/24-237Z	Standard	9	M24308/24-237Z
47	M24308/24-238Z	M2000/24-238Z	Standard	15	M24308/24-238Z
48	M24308/24-239Z	M2000/24-239Z	Standard	25	M24308/24-239Z
49	M24308/24-240Z	M2000/24-240Z	Standard	37	M24308/24-240Z
50	M24308/24-241Z	M2000/24-241Z	Standard	50	M24308/24-241Z
51	M24308/24-243Z	M2000/24-243Z	Standard	9	M24308/24-243Z
52	M24308/24-244Z	M2000/24-244Z	Standard	15	M24308/24-244Z
53	M24308/24-245Z	M2000/24-245Z	Standard	25	M24308/24-245Z
54	M24308/24-246Z	M2000/24-246Z	Standard	37	M24308/24-246Z
55	M24308/24-247Z	M2000/24-247Z	Standard	50	M24308/24-247Z
56	M24308/24-249Z	M2000/24-249Z	Standard	9	M24308/24-249Z
57	M24308/24-250Z	M2000/24-250Z	Standard	15	M24308/24-250Z
58	M24308/24-251Z	M2000/24-251Z	Standard	25	M24308/24-251Z
59	M24308/24-252Z	M2000/24-252Z	Standard	37	M24308/24-252Z
60	M24308/24-253Z	M2000/24-253Z	Standard	50	M24308/24-253Z
61	M24308/24-255Z	M2000/24-255Z	Standard	9	M24308/24-255Z
62	M24308/24-256Z	M2000/24-256Z	Standard	15	M24308/24-256Z
63	M24308/24-257Z	M2000/24-257Z	Standard	25	M24308/24-257Z
64	M24308/24-258Z	M2000/24-258Z	Standard	37	M24308/24-258Z
65	M24308/24-259Z	M2000/24-259Z	Standard	50	M24308/24-259Z
66	M24308/24-273Z	M2000/24-273Z	High Density	15	M24308/24-273Z
67	M24308/24-274Z	M2000/24-274Z	High Density	26	M24308/24-274Z
68	M24308/24-275Z	M2000/24-275Z	High Density	44	M24308/24-275Z
69	M24308/24-276Z	M2000/24-276Z	High Density	62	M24308/24-276Z
70	M24308/24-277Z	M2000/24-277Z	High Density	78	M24308/24-277Z



Sr. No.	Military Designation	Manufacturers Designation	Type	No. of Pins	Marking On The Connector
1	M24308/24-125	M24308/24-125	Standard	9	M24308/24-125
2	M24308/24-126	M24308/24-126	Standard	15	M24308/24-126
3	M24308/24-127	M24308/24-127	Standard	25	M24308/24-127
4	M24308/24-128	M24308/24-128	Standard	37	M24308/24-128
5	M24308/24-129	M24308/24-129	Standard	50	M24308/24-129
6	M24308/24-131	M24308/24-131	Standard	9	M24308/24-131
7	M24308/24-132	M24308/24-132	Standard	15	M24308/24-132
8	M24308/24-133	M24308/24-133	Standard	25	M24308/24-133
9	M24308/24-134	M24308/24-134	Standard	37	M24308/24-134
10	M24308/24-135	M24308/24-135	Standard	50	M24308/24-135
11	M24308/24-137	M24308/24-137	Standard	9	M24308/24-137
12	M24308/24-138	M24308/24-138	Standard	15	M24308/24-138
13	M24308/24-139	M24308/24-139	Standard	25	M24308/24-139
14	M24308/24-140	M24308/24-140	Standard	37	M24308/24-140
15	M24308/24-141	M24308/24-141	Standard	50	M24308/24-141
16	M24308/24-143	M24308/24-143	Standard	9	M24308/24-143
17	M24308/24-144	M24308/24-144	Standard	15	M24308/24-144
18	M24308/24-145	M24308/24-145	Standard	25	M24308/24-145
19	M24308/24-146	M24308/24-146	Standard	37	M24308/24-146
20	M24308/24-147	M24308/24-147	Standard	50	M24308/24-147
21	M24308/24-149	M24308/24-149	Standard	9	M24308/24-149
22	M24308/24-150	M24308/24-150	Standard	15	M24308/24-150
23	M24308/24-151	M24308/24-151	Standard	25	M24308/24-151
24	M24308/24-152	M24308/24-152	Standard	37	M24308/24-152
25	M24308/24-153	M24308/24-153	Standard	50	M24308/24-153
26	M24308/24-155	M24308/24-155	Standard	9	M24308/24-155
27	M24308/24-156	M24308/24-156	Standard	15	M24308/24-156
28	M24308/24-157	M24308/24-157	Standard	25	M24308/24-157
29	M24308/24-158	M24308/24-158	Standard	37	M24308/24-158
30	M24308/24-159	M24308/24-159	Standard	50	M24308/24-159
31	M24308/24-173	M24308/24-173	High Density	15	M24308/24-173
32	M24308/24-174	M24308/24-174	High Density	26	M24308/24-174
33	M24308/24-175	M24308/24-175	High Density	44	M24308/24-175
34	M24308/24-176	M24308/24-176	High Density	62	M24308/24-176
35	M24308/24-177	M24308/24-177	High Density	78	M24308/24-177

# Special Products





Series: M2000

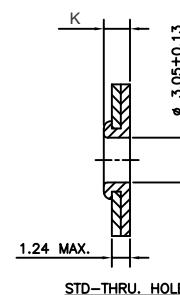
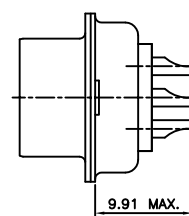
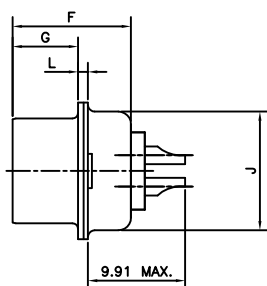
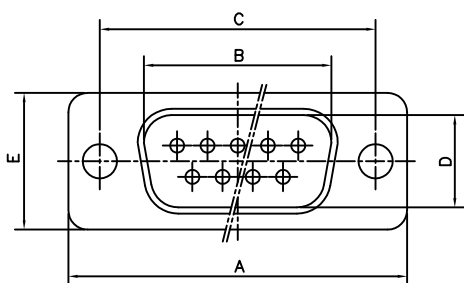
Connector Type : 1 - Receptacle Connector with Solder Type Contact (Fixed Contacts)  
3 - Plug Connector with Solder Type Contact (Fixed Contacts)

Shell Size : 1-9 pin  
2-15 pin  
3-25 pin  
4-37 pin  
5-50 pin

Finish : F- Cadmium plate with yellow passivation  
Z - Zinc Plated  
TI - Tin Plated

Special Option : L- Launch vehicle application

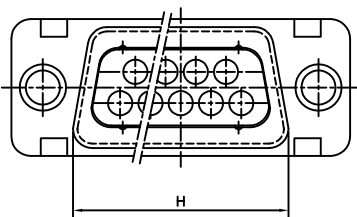
## Plug Connector With Solder Contact



(09 TO 37 PIN)

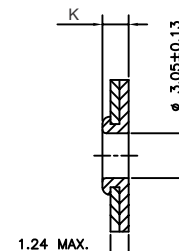
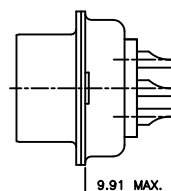
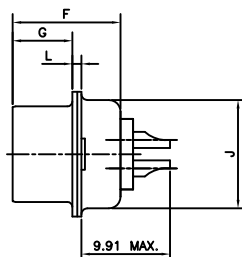
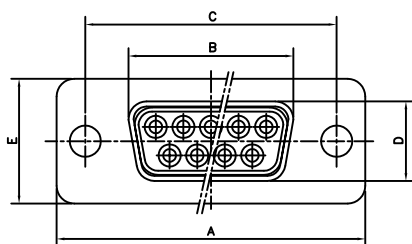
(50 PIN)

STD-THRU. HOLE



SR. NO.	CONNECTOR NO.	SHELL SIZE	'A'	'B'	'C'	'D'	'E'	'F'	'G'	'H'	'J'	'K'	'L'
1	M2000/3-1F	09	30.43	16.79	24.87			10.46		19.02		0.89	0.51
			31.19	17.04	25.12			10.97		19.53			1.02
2	M2000/3-2F	15	38.76	25.12	33.20	8.23	12.17	10.46	5.82	27.25	10.46	1.52	0.51
			39.52	25.37	33.45			10.97		27.76			1.02
3	M2000/3-3F	25	52.65	38.84	46.91	8.48	12.93	10.57	6.05	41.02	10.97	1.27	0.74
			53.42	39.09	47.17			11.07		41.53			1.25
4	M2000/3-4F	37	68.94	55.30	63.37			10.57		57.45		1.78	0.74
			69.70	55.55	63.63			11.07		57.96			1.25
5	M2000/3-5F	50	66.55	52.68	60.99	11.07	14.99	10.57		55.07	13.31	13.82	0.74
			67.31	52.93	61.24			11.33		15.75			11.07

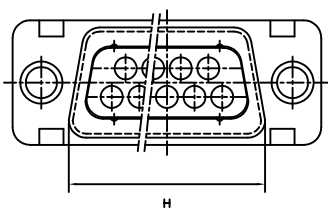
## Receptacle Connector With Solder Contact



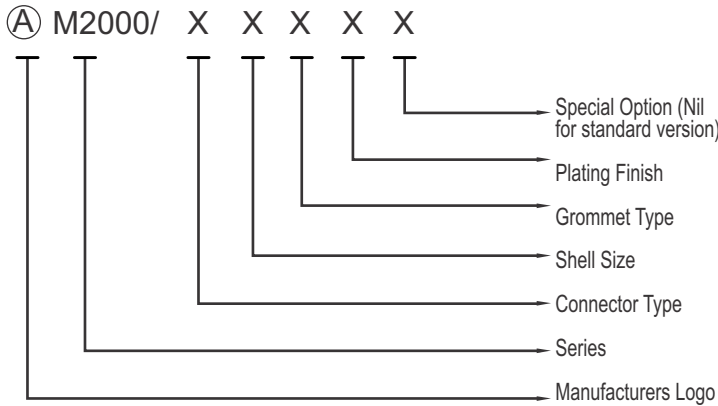
(09 TO 37 PIN)

(50 PIN)

STD-THRU. HOLE



SR. NO.	CONNECTOR NO.	SHELL SIZE	'A'	'B'	'C'	'D'	'E'	'F'	'G'	'H'	'J'	'K'	'L'
1	M2000/1-1F	09	30.43	16.21	24.87					19.02			0.51
			31.19	16.46	25.12					19.53			1.02
2	M2000/1-2F	15	38.76	24.54	33.20	7.77	12.17	10.64	6.05	41.02	10.46	0.89	0.74
			39.52	24.79	33.45					41.53			10.97
3	M2000/1-3F	25	52.65	38.25	46.91	8.03	12.93	11.15	6.30	41.02	10.97	1.52	0.74
			53.42	38.51	47.17					41.53			13.82
4	M2000/1-4F	37	68.94	54.71	63.37					57.45			0.74
			69.70	54.97	63.63					57.96			1.25
5	M2000/1-5F	50	66.55	52.30	60.99	10.62	14.99			55.07	13.31	13.82	0.74
			67.31	52.55	61.24					10.87			15.75



**Series: M2000**

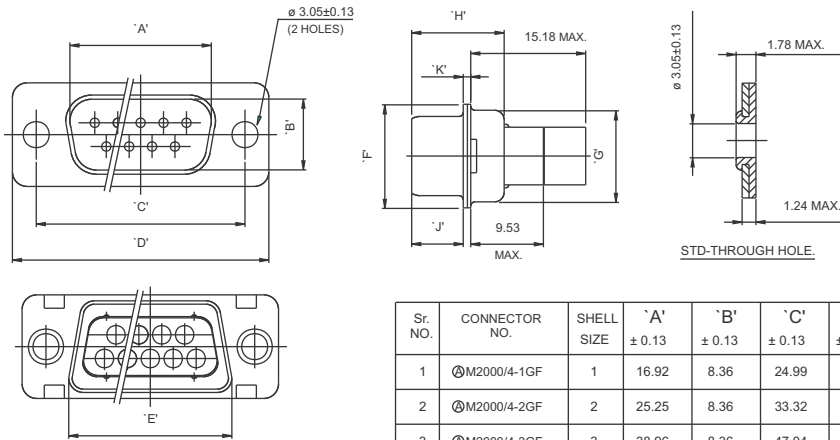
- Connector Type :**
- 4 - Plug Connector with Pin Contact  
Crimp Type, Rear Release, Rear Removable
  - 2 - Socket Connector with Socket Contact Crimp Type, Rear Release, Rear Removable
  - G- Silicon Elastomer Grommet

**Grommet Type :**

- Shell Size :** 1-9 pin  
2-15 pin  
3-25 pin  
4-37 pin  
5-50 pin
- Finish :** F-Cadmium plate with yellow passivation  
Z - Zinc Plated,  
TI - Tin Plated

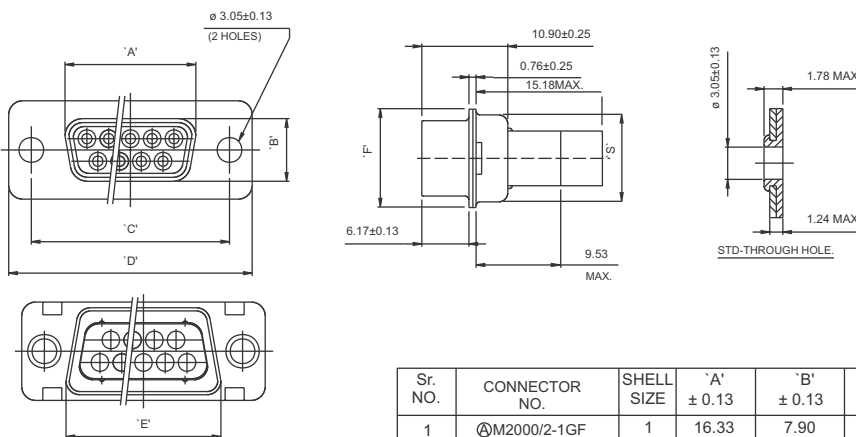
**Special Option :** L- Launch vehicle application

## Plug Connector With Pin Contact (With Grommet) - Rear Removable



Sr. NO.	CONNECTOR NO.	SHELL SIZE	'A' ± 0.13	'B' ± 0.13	'C' ± 0.13	'D' ± 0.38	'E' ± 0.25	'F' ± 0.38	'G' ± 0.25	'H' ± 0.25	'J' ± 0.15	'K' ± 0.25
1	ⒶM2000/4-1GF	1	16.92	8.36	24.99	30.81	19.28	12.55	10.72	10.72	5.97	0.76
2	ⒶM2000/4-2GF	2	25.25	8.36	33.32	39.14	27.51	12.55	10.72	10.72	5.97	0.76
3	ⒶM2000/4-3GF	3	38.96	8.36	47.04	53.04	41.30	12.55	10.72	10.72	5.97	0.76
4	ⒶM2000/4-4GF	4	55.42	8.36	63.50	69.32	57.71	12.55	10.72	10.82	5.84	0.99
5	ⒶM2000/4-5GF	5	52.81	11.20	61.11	66.93	55.32	15.37	13.56	10.82	5.84	0.99

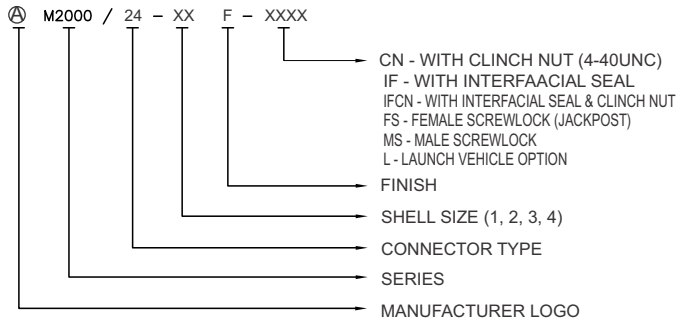
## Receptacle Connector With Socket Contact (With Grommet) - Rear Removable



Sr. NO.	CONNECTOR NO.	SHELL SIZE	'A' ± 0.13	'B' ± 0.13	'C' ± 0.13	'D' ± 0.38	'E' ± 0.25	'F' ± 0.38	'G' ± 0.25
1	ⒶM2000/2-1GF	1	16.33	7.90	24.99	30.81	19.28	12.55	10.72
2	ⒶM2000/2-2GF	2	24.66	7.90	33.32	39.14	27.51	12.55	10.72
3	ⒶM2000/2-3GF	3	38.38	7.90	47.04	53.04	41.30	12.55	10.72
4	ⒶM2000/2-4GF	4	54.84	7.90	63.50	69.32	57.71	12.55	10.72
5	ⒶM2000/2-5GF	5	52.43	10.74	61.11	66.93	55.32	15.37	13.56

# Ordering Information For Straight PC Tail Type Connector (Plug Connector)

## ORDERING INFORMATION STRAIGHT PC TAIL TYPE CONNECTORS



## CONNECTOR TYPE:

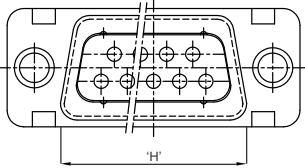
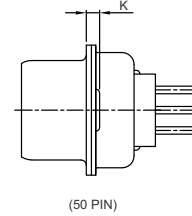
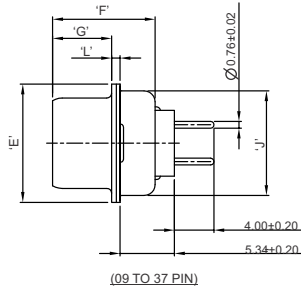
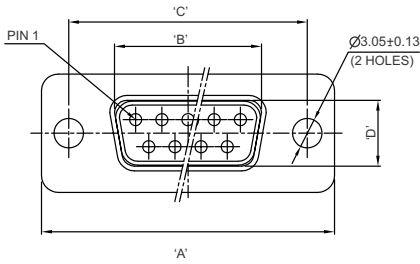
- 23 - RECEPTACLE CONNECTOR (PC TAIL TYPE)
- 24 - PLUG CONNECTOR (PC TAIL TYPE)

## FINISH

- F - CADMIUM YELLOW PASSIVATED
- Z - ZINC YELLOW PASSIVATED
- K - ZINC NICKEL BLACK FINISH
- T - NICKEL PTFE FINISH
- TI - TIN PLATED

## NOTE :

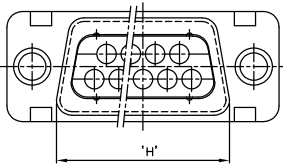
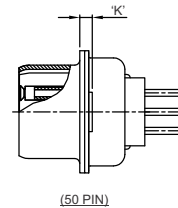
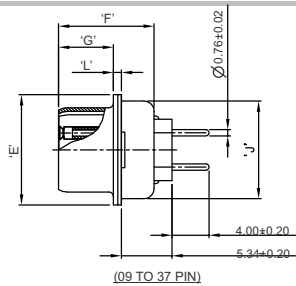
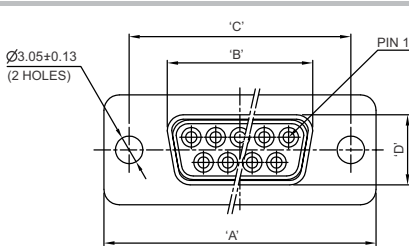
- BRASS BUSH (SPACER) WILL BE SUPPLIED LOOSE WITH THIS CONNECTOR (NOT APPLICABLE FOR CONNECTOR WITH CLINCH NUT)



DIMENSION TABLE (PLUG CONNECTOR)

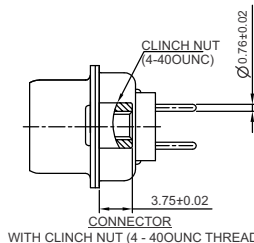
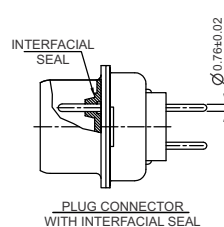
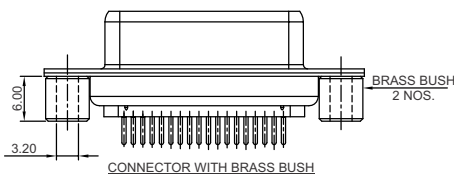
SR. NO.	CONNECTOR PART NO.	Shell Size	Std. Density No. of Pins	'A'	'B'	'C'	'D'	'E'	'F'	'G'	'H'	'J'	'K'	'L'
1	M2000/24-1F	1	09	30.43 31.19	16.79 17.04	24.87 25.12			10.46 10.97		19.02 19.53			0.51 1.02
2	M2000/24-2F	2	15	38.76 39.52	25.12 25.37	33.20 33.45			10.46 10.97		27.25 27.76		0.89 1.52	0.51 1.02
3	M2000/24-3F	3	25	52.65 53.42	38.84 39.09	46.91 47.17	8.23 8.48	12.17 12.93	10.57 11.07	5.82 6.05	41.02 41.53	10.46 10.97		0.74 1.25
4	M2000/24-4F	4	37	68.94 69.70	55.30 55.55	63.37 63.63			10.57 11.07		57.45 57.96		1.27 1.78	0.74 1.25
5	M2000/24-5F	5	50	66.55 67.31	52.65 52.93	60.99 61.24	11.07 11.33	14.99 15.75	10.57 11.07		55.07 55.58	13.31 13.82		0.74 1.25

## For Straight PC Tail Type Connector (Receptacle)



DIMENSION TABLE (RECEPTACLE CONNECTOR)

SR. NO.	CONNECTOR PART NO.	Shell Size	Std. Density No. of Pins	'A'	'B'	'C'	'D'	'E'	'F'	'G'	'H'	'J'	'K'	'L'
1	M2000/23-1F	1	09	30.43 31.19	16.21 16.46	24.87 25.12					19.02 19.53			0.51 1.02
2	M2000/23-2F	2	15	38.76 39.52	24.54 24.79	33.20 33.45					27.25 27.76			0.51 1.02
3	M2000/23-3F	3	26	52.65 53.42	38.25 38.51	46.91 47.17	7.77 8.03	12.17 12.93	10.646 11.15	6.05 6.30	41.02 41.53	10.46 10.97	0.89 1.52	0.74 1.25
4	M2000/23-4F	4	37	68.94 69.70	34.71 34.97	63.37 63.63					57.45 57.96			0.74 1.25
5	M2000/23-5F	5	50	66.55 67.31	52.30 52.55	60.99 61.24	10.62 10.87	14.99 15.75			55.07 55.58	13.31 13.82		0.74 1.25



# Ordering Information For Straight PC Tail Type Connector (Plug Connector)

## ORDERING INFORMATION STRAIGHT PC TAIL TYPE CONNECTORS

Ⓐ M2000 / 24 - XX F - XXXX

CN - WITH CLINCH NUT (4-40UNC)  
 IF - WITH INTERFACIAL SEAL  
 IFCN - WITH INTERFACIAL SEAL & CLINCH NUT  
 FS - FEMALE SCREWLOCK (JACKPOST)  
 MS - MALE SCREWLOCK  
 L - LAUNCH VEHICLE OPTION  
 FINISH  
 SHELL SIZE (7, 8, 9, 10, 11)  
 CONNECTOR TYPE  
 SERIES  
 MANUFACTURER LOGO

### CONNECTOR TYPE:

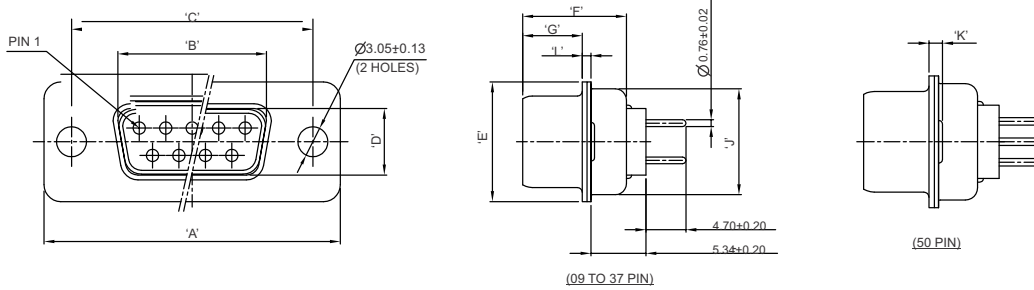
23 - RECEPTACLE CONNECTOR (PC TAIL TYPE)  
 24 - PLUG CONNECTOR (PC TAIL TYPE)

### FINISH

F - CADMIUM YELLOW PASSIVATED  
 Z - ZINC YELLOW PASSIVATED  
 K - ZINC NICKEL BLACK FINISH  
 T - NICKEL PTFE FINISH  
 TI - TIN PLATED

### NOTE :

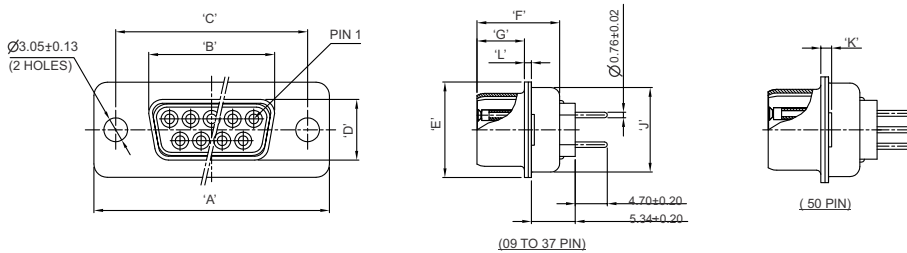
1. BRASS BUSH (SPACER) WILL BE SUPPLIED LOOSE WITH THIS CONNECTOR (NOT APPLICABLE FOR CONNECTOR WITH CLINCH NUT)



DIMENSION TABLE (PLUG CONNECTOR)

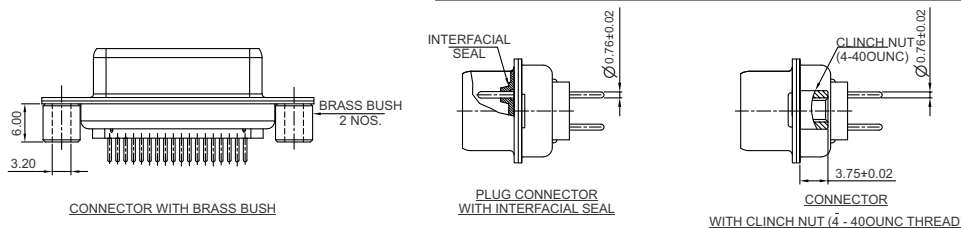
Sr. No.	CONNECTOR PART NO.	Shell Size	High Density No. of Pins	'A'	'B'	'C'	'D'	'E'	'F'	'G'	'H'	'J'	'K'	'L'	
1	M2000/24-7F	1	09	30.43	16.79	24.87								0.51	
				31.19	17.04	25.12								19.53	1.02
2	M2000/24-8F	2	15	38.76	25.12	33.20								0.89	
				39.52	25.37	33.45								27.25	1.52
3	M2000/24-9F	3	25	52.65	38.84	46.91	8.23	12.17							0.74
				53.42	39.09	47.17									8.48
4	M2000/24-10F	4	37	68.94	55.30	63.37									0.74
				69.70	55.55	63.63									10.57
5	M2000/24-11F	5	50	66.55	52.65	60.99	11.07	14.99							0.74
				67.31	52.93	61.24									11.33

## For Straight PC Tail Type Connector (Receptacle)



DIMENSION TABLE (RECEPTACLE CONNECTOR)

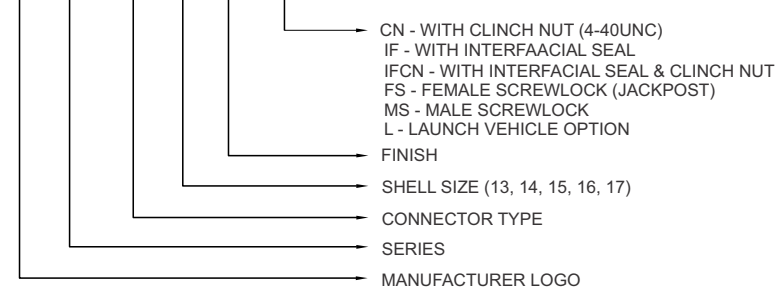
Sr. No.	CONNECTOR PART NO.	Shell Size	High Density No. of Pins	'A'	'B'	'C'	'D'	'E'	'F'	'G'	'H'	'J'	'K'	'L'	
1	M2000/23-7F	1	09	30.43	16.21	24.87								0.51	
				31.19	16.46	25.12								19.53	1.02
2	M2000/23-8F	2	15	38.76	24.54	33.20								0.51	
				39.52	24.79	33.45								27.25	1.02
3	M2000/23-9F	3	26	52.65	38.25	46.91	7.77	12.17							0.74
				53.42	38.51	47.17									8.03
4	M2000/23-10F	4	37	68.94	34.71	63.37									0.74
				69.70	34.97	63.63									10.62
5	M2000/23-11F	5	50	66.55	52.30	60.99	10.62	14.99							0.74
				67.31	52.55	61.24									10.87



# Ordering Information For Straight PC Tail Type Connector (Plug)

## ORDERING INFORMATION STRAIGHT PC TAIL TYPE CONNECTORS

Ⓐ M2000 / 24 - XX F - XXXX



## CONNECTOR TYPE:

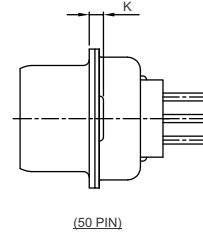
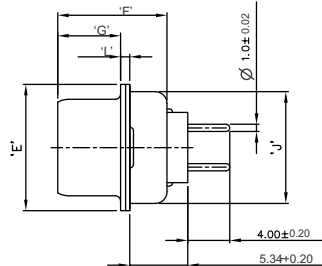
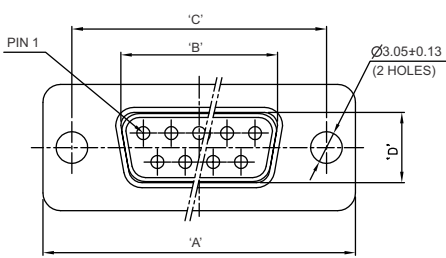
- 23 - RECEPTACLE CONNECTOR (PC TAIL TYPE)
- 24 - PLUG CONNECTOR (PC TAIL TYPE)

## FINISH

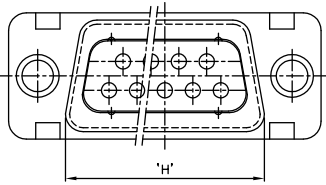
- F - CADMIUM YELLOW PASSIVATED
- Z - ZINC YELLOW PASSIVATED
- K - ZINC NICKEL BLACK FINISH
- T - NICKEL PTFE FINISH
- TI - TIN PLATED

## NOTE :

- BRASS BUSH (SPACER) WILL BE SUPPLIED LOOSE WITH THIS CONNECTOR (NOT APPLICABLE FOR CONNECTOR WITH CLINCH NUT)



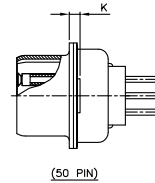
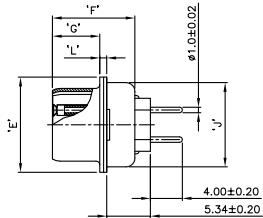
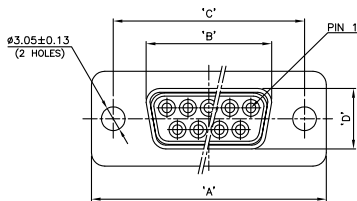
(09 TO 37 PIN)



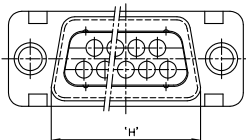
DIMENSION TABLE (PLUG CONNECTOR)

SR. NO.	CONNECTOR PART NO.	Shell Size	High Density No. of Pins	'A'	'B'	'C'	'D'	'E'	'F'	'G'	'H'	'J'	'K'	'L'
1	M2000/24-13F	1	09	30.43	16.79	24.87			10.46	19.02				0.51
				31.19	17.04	25.12								
2	M2000/24-14F	2	15	38.76	25.12	33.20			10.46	27.25				0.51
				39.52	25.37	33.45								
3	M2000/24-15F	3	25	52.65	38.84	46.91	8.23	12.17	10.57	5.82	41.02	10.46		0.74
				53.42	39.09	47.17								
4	M2000/24-16F	4	37	68.94	55.30	63.37			10.57	6.05	41.53			0.74
				69.70	55.55	63.63								
5	M2000/24-17F	5	50	66.55	52.65	60.99	11.07	14.99	10.57	11.07	55.07	13.31		0.74
				67.31	52.93	61.24								

## For Straight PC Tail Type Connector (Receptacle)

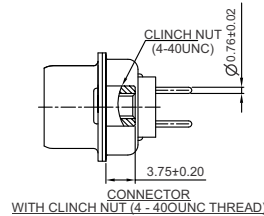
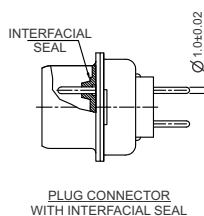
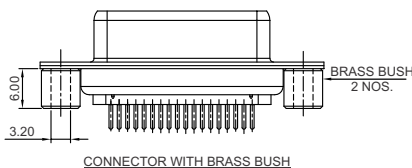


(09 TO 37 PIN)



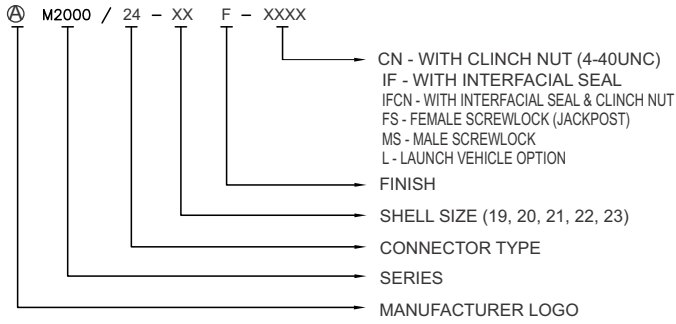
DIMENSION TABLE (RECEPTACLE CONNECTOR)

SR. NO.	CONNECTOR PART NO.	Shell Size	High Density No. of Pins	'A'	'B'	'C'	'D'	'E'	'F'	'G'	'H'	'J'	'K'	'L'
1	M2000/23-13F	1	09	30.43	16.21	24.87					19.02			0.51
				31.19	16.46	25.12								
2	M2000/23-14F	2	15	38.76	24.54	33.20					27.25			0.51
				39.52	24.79	33.45								
3	M2000/23-15F	3	26	52.65	38.25	46.91	7.77	12.17	10.64	6.05	41.02	10.46		0.74
				53.42	38.51	47.17								
4	M2000/23-16F	4	37	68.94	34.71	63.37					41.53			0.74
				69.70	54.97	63.63								
5	M2000/23-17F	5	50	66.55	52.30	60.99	10.62	14.99			55.07	13.31		0.74
				67.31	52.55	61.24								



# Ordering Information For Straight PC Tail Type Connector (Plug)

## ORDERING INFORMATION STRAIGHT PC TAIL TYPE CONNECTORS



## CONNECTOR TYPE:

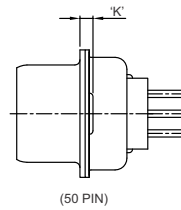
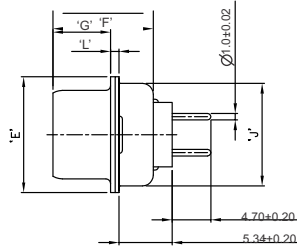
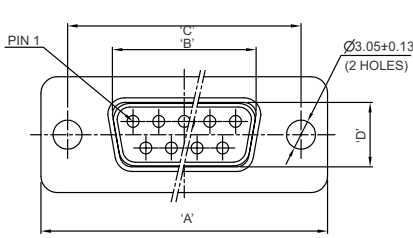
- 23 - RECEPTACLE CONNECTOR (PC TAIL TYPE)
- 24 - PLUG CONNECTOR (PC TAIL TYPE)

## FINISH

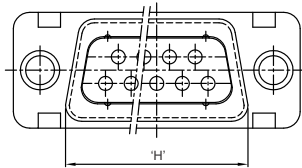
- F - CADMIUM YELLOW PASSIVATED
- Z - ZINC YELLOW PASSIVATED
- K - ZINC NICKEL BLACK FINISH
- T - NICKEL PTFE FINISH
- TI - TIN PLATED

## NOTE :

1. BRASS BUSH (SPACER) WILL BE SUPPLIED LOOSE WITH THIS CONNECTOR (NOT APPLICABLE FOR CONNECTOR WITH CLINCH NUT)



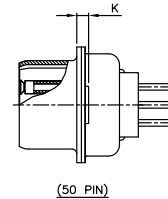
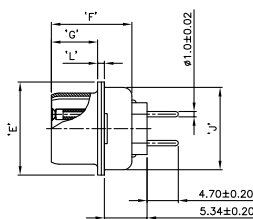
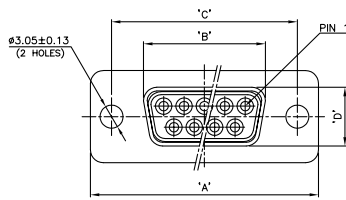
(09 TO 37 PIN)



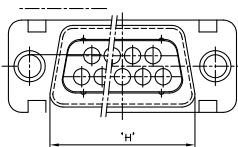
DIMENSION TABLE (PLUG CONNECTOR)

SR. NO	CONNECTOR PART NO.	Shell Size	High Density No. of Pins	'A'	'B'	'C'	'D'	'E'	'F'	'G'	'H'	'J'	'K'	'L'
1	M2000/24-19F	1	09	30.43 31.19	16.79 17.04	24.87 25.12			10.46 10.97		19.02 19.53			0.51 1.02
2	M2000/24-20F	2	15	38.76 39.52	25.12 25.37	33.20 33.45			10.46 10.97		27.25 27.76		0.89	0.51 1.02
3	M2000/24-21F	3	25	52.65 53.42	38.84 39.09	46.91 47.17	8.23 8.48	12.17 12.93	10.57 11.07	5.82 6.05	41.02 41.53	10.46 10.97		0.74 1.25
4	M2000/24-22F	4	37	68.94 69.70	55.30 55.55	63.37 63.63			10.57 11.07		57.45 57.96		1.27	0.74 1.25
5	M2000/24-23F	5	50	66.55 67.31	52.65 52.93	60.99 61.24	11.07 11.33	14.99 15.75	10.57 11.07		55.07 55.58	13.31 13.82		0.74 1.25

## For Straight PC Tail Type Connector (Receptacle)

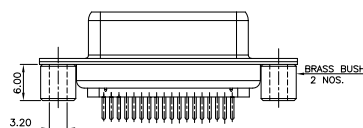


(09 TO 37 PIN)

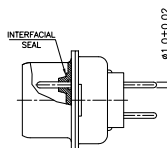


DIMENSION TABLE (RECEPTACLE CONNECTOR) :-

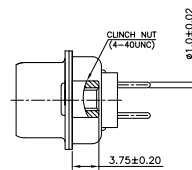
SR NO.	CONNECTOR PART NO.	SHELL SIZE	STANDARD DENSITY NO. OF PINS	'A'	'B'	'C'	'D'	'E'	'F'	'G'	'H'	'J'	'K'	'L'
1	M2000/23-19F	1	09	30.43 31.19	16.21 16.46	24.87 25.12					19.02 19.53			0.51 1.02
2	M2000/23-20F	2	15	38.76 39.52	24.54 24.79	33.20 33.45					27.25 27.76			0.51 1.02
3	M2000/23-21F	3	26	52.65 53.42	38.25 38.51	46.91 47.17	7.77 8.03	12.17 12.93	10.64 11.15	6.05 6.30	41.02 41.53	10.46 10.97	0.89	0.74 1.25
4	M2000/23-22F	4	37	68.94 69.70	54.71 54.97	63.37 63.63					57.45 57.96			0.74 1.25
5	M2000/23-23F	5	50	66.55 67.31	52.30 52.55	60.99 61.24	10.62 10.87	14.99 15.75			55.07 55.58	13.31 13.82		0.74 1.25



CONNECTOR WITH BRASS BUSH



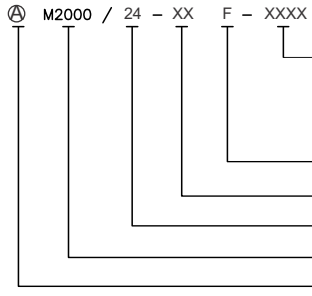
PLUG CONNECTOR WITH INTERFACIAL SEAL



CONNECTOR WITH CLINCH NUT (4-40UNC THREAD)

# Ordering Information For High Density Straight PC Tail Type Connector (Plug)

## ORDERING INFORMATION PC TAIL TYPE (L=4.00MM) CONNECTORS



- CN - WITH CLINCH NUT (4-40UNC)
- IF - WITH INTERFACIAL SEAL
- IFCN - WITH INTERFACIAL SEAL & CLINCH NUT
- FS - FEMALE SCREWLOCK (JACKPOST)
- L - LAUNCH VEHICLE OPTION
- FINISH
- SHELL SIZE (61, 62, 63, 64, 65)
- CONNECTOR TYPE
- SERIES
- MANUFACTURER LOGO

## CONNECTOR TYPE:

- 23 - RECEPTACLE CONNECTOR (PC TAIL TYPE)
- 24 - PLUG CONNECTOR (PC TAIL TYPE)

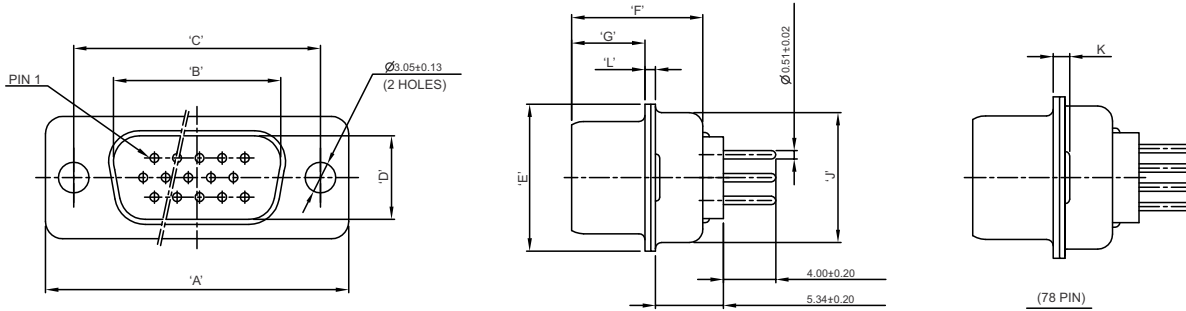
## FINISH

- F - CADMIUM YELLOW PASSIVATED
- Z - ZINC YELLOW PASSIVATED
- K - ZINC NICKEL BLACK FINISH
- T - NICKEL PTFE FINISH
- TI - TIN PLATED

## NOTE :

1. BRASS BUSH (SPACER) WILL BE SUPPLIED LOOSE WITH THIS CONNECTOR (NOT APPLICABLE FOR CONNECTOR WITH CLINCH NUT)

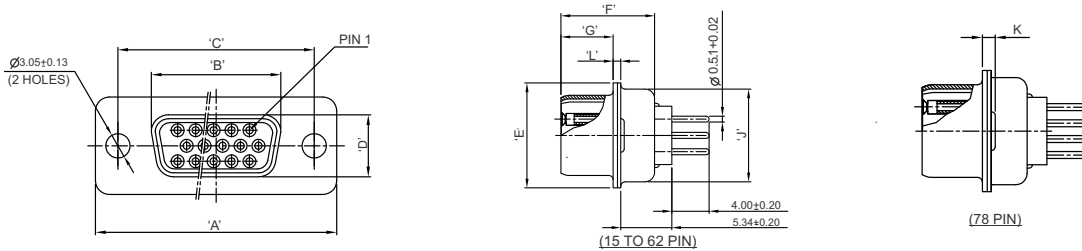
## For Straight PC Tail Type Connector (Plug)



(15 TO 62 PIN)  
DIMENSION TABLE (PLUG CONNECTOR)

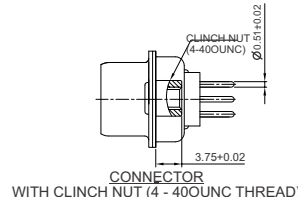
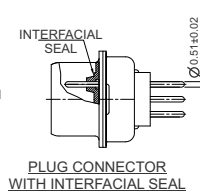
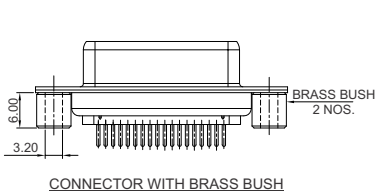
SR. NO.	CONNECTOR PART NO.	Shell Size	High Density No. of Pins	'A'	'B'	'C'	'D'	'E'	'F'	'G'	'H'	'J'	'K'	'L'
1	M2000/24-61F	1	15	30.43 31.19	16.79 17.04	24.87 25.12			10.46 10.97		19.02 19.53			24.87 25.12
2	M2000/24-62F	2	26	38.76 39.52	25.12 25.37	33.20 33.45			10.46 10.97		27.25 27.76		0.89 1.52	33.20 33.45
3	M2000/24-63F	3	44	52.65 53.42	38.84 39.09	46.91 47.17	8.23 8.48	12.17 12.93	10.57 11.07	5.82 6.05	41.02 41.53	10.46 10.97		46.91 47.17
4	M2000/24-64F	4	62	68.94 69.70	55.30 55.55	63.37 63.63			10.57 11.07		57.45 57.96		1.27 1.78	63.37 63.63
5	M2000/24-65F	5	78	66.55 67.31	52.68 52.93	60.99 61.24	11.07 11.33	14.99 15.75	10.57 11.07		55.07 55.58	13.31 13.82		60.99 61.24

## For Straight PC Tail Type Connector (Receptacle)



(15 TO 62 PIN)  
DIMENSION TABLE (RECEPTACLE CONNECTOR)

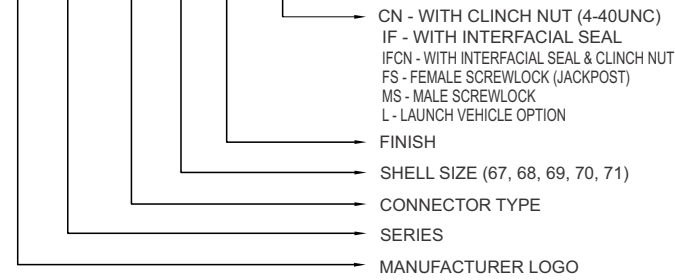
SR. NO.	CONNECTOR PART NO.	Shell Size	High Density No. of Pins	'A'	'B'	'C'	'D'	'E'	'F'	'G'	'H'	'J'	'K'	'L'
1	M2000/23-61F	1	15	30.43 31.19	16.21 16.46	24.87 25.12					19.02 19.53			0.51 1.02
2	M2000/23-62F	2	26	38.76 39.52	24.54 24.79	33.20 33.45					27.25 27.76			0.51 1.02
3	M2000/23-63F	3	44	52.65 53.42	38.25 38.51	46.91 47.17	7.77 8.03	12.17 12.93	10.46 11.15	8.05 6.30	41.02 41.53	10.46 10.97	0.89 1.52	0.74 1.25
4	M2000/23-64F	4	62	68.94 69.70	34.71 34.97	63.37 63.63					57.45 57.96			0.74 1.25
5	M2000/23-65F	5	78	66.55 67.31	52.30 52.55	60.99 61.24	10.62 10.87	14.99 15.75			55.07 55.58	13.31 13.82		0.74 1.25



# Ordering Information For High Density Straight PC Tail Type Connector

## ORDERING INFORMATION STRAIGHT PC TAIL TYPE CONNECTORS

Ⓐ M2000 / 24 - XX F - XXXX



- CN - WITH CLINCH NUT (4-40UNC)
- IF - WITH INTERFACIAL SEAL
- IFCN - WITH INTERFACIAL SEAL & CLINCH NUT
- FS - FEMALE SCREWLOCK (JACKPOST)
- MS - MALE SCREWLOCK
- L - LAUNCH VEHICLE OPTION
- FINISH
- SHELL SIZE (67, 68, 69, 70, 71)
- CONNECTOR TYPE
- SERIES
- MANUFACTURER LOGO

## CONNECTOR TYPE:

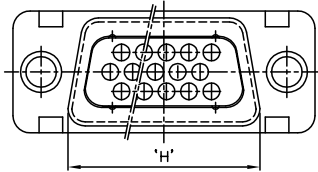
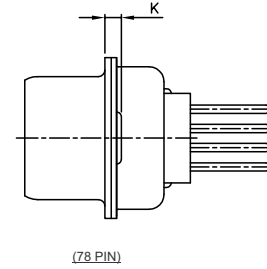
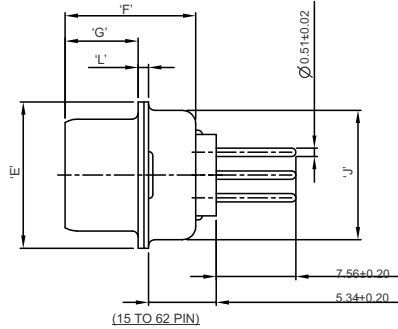
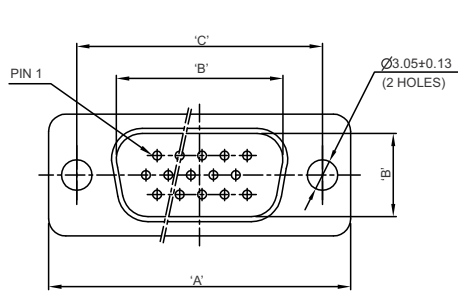
- 23 - RECEPTACLE CONNECTOR (PC TAIL TYPE)
- 24 - PLUG CONNECTOR (PC TAIL TYPE)

## FINISH

- F - CADMIUM YELLOW PASSIVATED
- Z - ZINC YELLOW PASSIVATED
- K - ZINC NICKEL BLACK FINISH
- T - NICKEL PTFE FINISH
- TI - TIN PLATED

## NOTE :

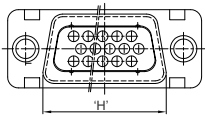
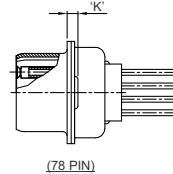
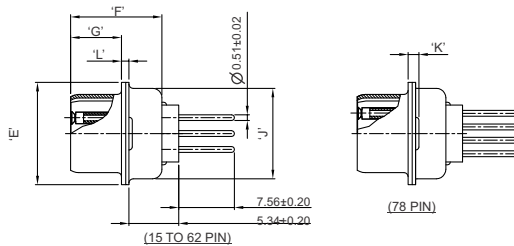
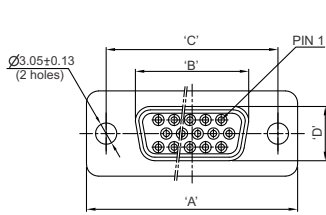
1. BRASS BUSH (SPACER) WILL BE SUPPLIED LOOSE WITH THIS CONNECTOR (NOT APPLICABLE FOR CONNECTOR WITH CLINCH NUT)



DIMENSION TABLE (PLUG CONNECTOR)

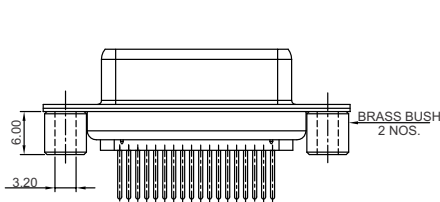
SR. NO	CONNECTOR PART NO.	Shell Size	High Density No. of Pins	Dimensions (mm)										
				'A'	'B'	'C'	'D'	'E'	'F'	'G'	'H'	'J'	'K'	'L'
1	M2000/24-67F	1	15	30.43 31.19	16.79 17.04	24.87 25.12			10.46 10.97		19.02 19.53			0.51 1.02
2	M2000/24-68F	2	26	38.76 39.52	25.12 25.37	33.20 33.45			10.46 10.97		27.25 27.76		0.89 1.52	0.51 1.02
3	M2000/24-69F	3	44	52.65 53.42	38.84 39.09	46.91 47.17	8.23 8.48	12.17 12.93	10.57 11.07	5.82 6.05	41.02 41.53	10.46 10.97		0.74 1.25
4	M2000/24-70F	4	62	68.94 69.70	55.30 55.55	63.37 63.63			10.57 11.07		57.45 57.96		1.27 1.78	0.74 1.25
5	M2000/24-71F	5	78	66.55 67.31	52.65 52.93	60.99 61.24	11.07 11.33	14.99 15.75	10.57 11.07		55.07 55.58	13.31 13.82		0.74 1.25

## For Straight PC Tail Type Connector (Receptacle)

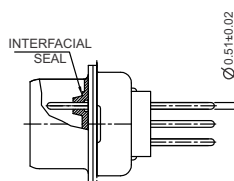


DIMENSION TABLE (RECEPTACLE CONNECTOR)

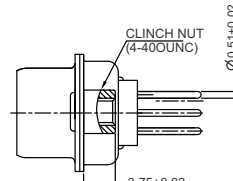
SR. NO	CONNECTOR PART NO.	Shell Size	High Density No. of Pins	Dimensions (mm)										
				'A'	'B'	'C'	'D'	'E'	'F'	'G'	'H'	'J'	'K'	'L'
1	M2000/23-67F	1	15	30.43 31.19	16.21 16.46	24.87 25.12					19.02 19.53			0.51 1.02
2	M2000/23-68F	2	26	38.76 39.52	24.54 24.79	33.20 33.45					27.25 27.76			0.51 1.02
3	M2000/23-69F	3	44	52.65 53.42	38.25 38.51	46.91 47.17	7.77 8.03	12.17 12.93	10.46 11.15	8.05 6.30	41.02 41.53	10.46 10.97	0.89 1.52	0.74 1.25
4	M2000/23-70F	4	62	68.94 69.70	34.71 34.97	63.37 63.63					57.45 57.96			0.74 1.25
5	M2000/23-71F	5	78	66.55 67.31	52.30 52.55	60.99 61.24	10.62 10.87	14.99 15.75			55.07 55.58	13.31 13.82		0.74 1.25



CONNECTOR WITH BRASS BUSH



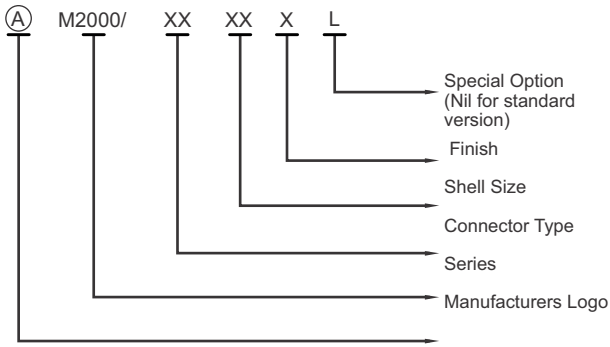
PLUG CONNECTOR WITH INTERFACIAL SEAL



CONNECTOR WITH CLINCH NUT (4 - 40UNC THREAD)



# Ordering information For Standard D-Sub Connector Right Angle PC Tail Contact (Plug)



## Series: M2000

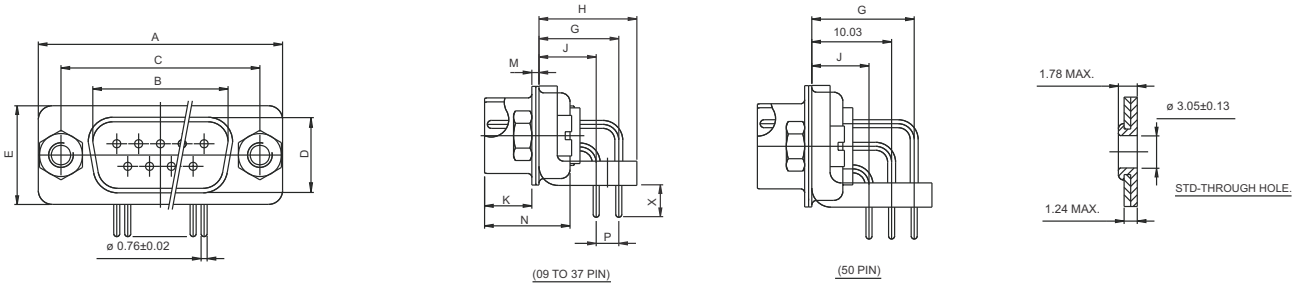
**Connector Type :** 24 - Right angle Plug Connector with PC Tail Contact  
 23 - Right angle Receptacle Connector with PC Tail Contact

**Shell Size :** 31 - 9 Pin with right angle PC Tail contact with 3.96 mm PC Tail length from Mounting Bracket  
 32 - 15 Pin with right angle PC Tail contact with 3.96 mm PC Tail length from Mounting Bracket  
 33 - 25 Pin with right angle PC Tail contact with 3.96 mm PC Tail length from Mounting Bracket  
 34 - 37 Pin with right angle PC Tail contact with 3.96 mm PC Tail length from Mounting Bracket  
 35 - 50 Pin with right angle PC Tail contact with 3.96 mm PC Tail length from Mounting Bracket

**Finish :** F - Cadmium plate with yellow passivation  
 Z - Zinc Plated, T - Nickel PTFE Finish  
 TI - Tin Plated  
 K - Zinc Nickel Black Finish

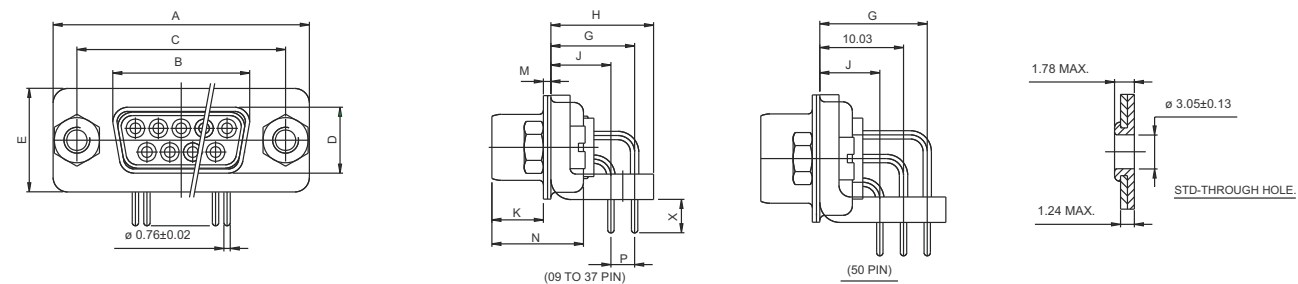
**Special Option :** L - Launch vehicle application

## Plug Connector With Pin Contact, Right Angle PC Tail Contact

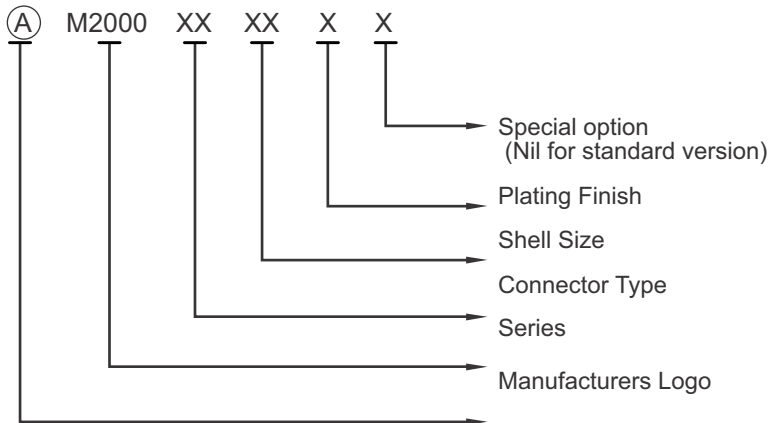


Sr. NO.	CONNECTOR NO.	SHELL SIZE	DIMENSIONS												
			A ±0.38	B ±0.13	C ±0.13	D ±0.38	E ±0.38	G ±0.25	H ±0.25	J ±0.25	K ±0.25	M ±0.25	N ±0.10	P ±0.25	X ±0.20
1	M2000/24-31F	9	30.81	16.92	24.99	8.36	12.55	10.03	12.29	7.19	6.04/5.82	0.76	10.72	2.84	19.28
2	M2000/24-32F	15	39.14	25.25	33.33										27.51
3	M2000/24-33F	25	53.04	38.96	47.04										29.59
4	M2000/24-34F	37	69.32	55.42	63.50										57.71
5	M2000/24-35F	50	66.93	52.81	61.11										55.32

## Receptacle Connector With Socket Contact, Right Angle PC Tail Contact



Sr. NO.	CONNECTOR NO.	SHELL SIZE	DIMENSIONS												
			A ±0.38	B ±0.13	C ±0.13	D ±0.38	E ±0.38	G ±0.25	H ±0.25	J ±0.25	K ±0.25	M ±0.25	N ±0.25	P ±0.10	S ±0.25
1	M2000/23-31F	9	30.81	16.33	24.99	7.90	12.55	10.03	12.29	7.19	6.30/6.04	0.76	10.90	2.84	19.28
2	M2000/23-32F	15	39.14	24.66	33.33										27.51
3	M2000/23-33F	25	53.04	38.38	47.04										29.59
4	M2000/23-34F	37	69.32	54.84	63.50										57.71
5	M2000/23-35F	50	66.93	52.43	61.11										55.32



**Series:** M2000

**Connector Type :** 24- Right angle type Plug Connectors with PC Tail length  
23- Right angle Receptacle Connector with PC Tail Contact

**Shell Size :**

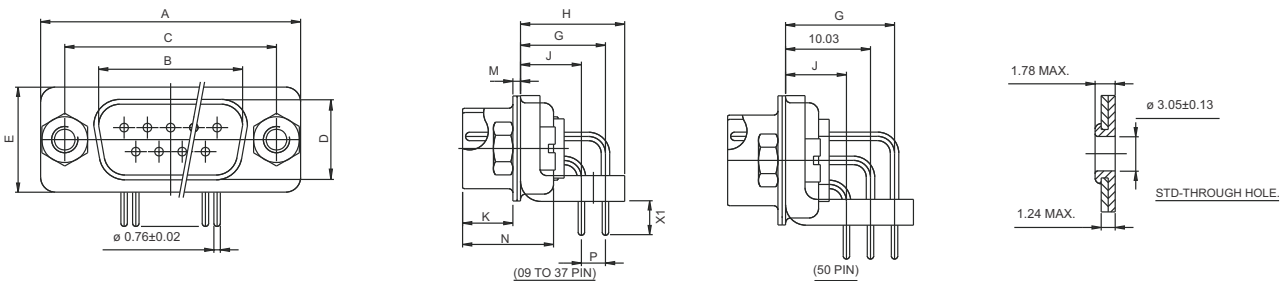
49 - 9Pin Right angle PC Tail contact with 4.78mm PC Tail length from Mounting Bracket  
50 - 15Pin Right angle PC Tail contact with 4.78mm PC Tail length from Mounting Bracket  
51 - 25Pin Right angle PC Tail contact with 4.78mm PC Tail length from Mounting Bracket  
52 - 37Pin Right angle PC Tail contact with 4.78mm PC Tail length from Mounting Bracket  
53 - 50Pin Right angle PC Tail contact with 4.78mm PC Tail length from Mounting Bracket

**Finish :**

F - Cadmium plate with yellow passivation  
Z - Zinc Plated, T - Nickel PTFE Finish, TI - Tin Plated  
K - Zinc Nickel Black Finish

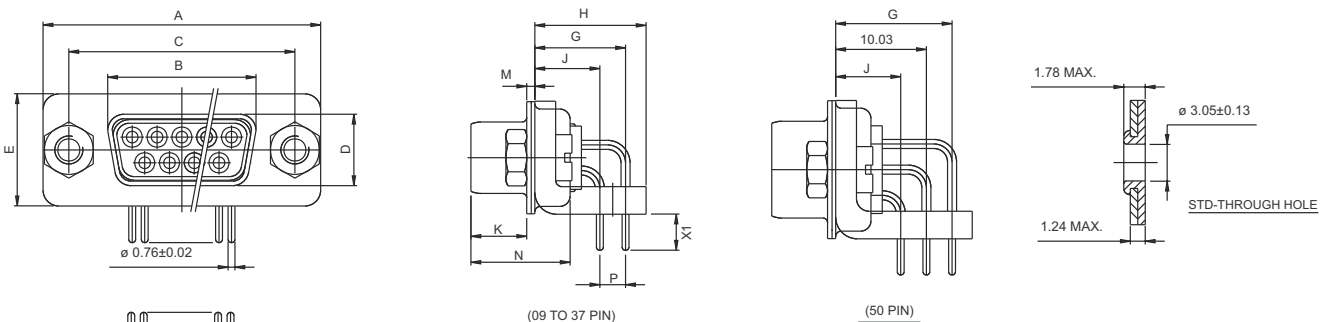
**Special Option :** L- Launch vehicle application

### Plug Connector With Pin Contact, Right Angle PC Tail contact



Sr. NO.	CONNECTOR NO.	SHELL SIZE	DIMENSIONS																
			A ±0.38	B ±0.13	C ±0.13	D ±0.38	E ±0.38	G ±0.25	H ±0.25	J ±0.25	K	M ±0.25	N ±0.25	P ±0.10	S ±0.25	X1 ±0.20			
1	⊕M2000/24-49F	9	30.81	16.92	24.99													19.28	
2	⊕M2000/24-50F	15	39.14	25.25	33.33	8.36	12.55	10.03	12.29		6.04/5.82	0.76	10.72				27.51		
3	⊕M2000/24-51F	25	53.04	38.96	47.04					7.19				2.84			29.59	4.78	
4	⊕M2000/24-52F	37	69.32	55.42	63.50						5.99/5.68	0.99	10.82				57.71		
5	⊕M2000/24-53F	50	66.93	52.81	61.11	11.20	15.37	12.88	15.09								55.32		

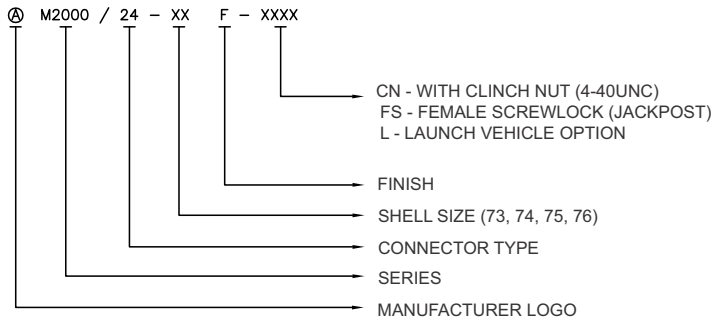
### Receptacle Connector With Socket Contact, Right Angle PC Tail Contact



Sr. NO.	CONNECTOR NO.	SHELL SIZE	DIMENSIONS																
			A ±0.38	B ±0.13	C ±0.13	D ±0.38	E ±0.38	G ±0.25	H ±0.25	J ±0.25	K	M ±0.25	N ±0.25	P ±0.10	S ±0.25	X1 ±0.20			
1	⊕M2000/23-49F	9	30.81	16.33	24.99													19.28	
2	⊕M2000/23-50F	15	39.14	24.66	33.33													27.51	
3	⊕M2000/23-51F	25	53.04	38.38	47.04	7.90	12.55	10.03	12.29	7.19	6.30/6.04	0.99	10.90	2.84			29.59	4.78	
4	⊕M2000/23-52F	37	69.32	54.84	63.50												57.71		
5	⊕M2000/23-53F	50	66.93	52.43	61.11	10.74	15.37	12.88	15.09								55.32		

# Ordering Information Right Angle PC Tail Type Connector (Plug)

## ORDERING INFORMATION R/A PC TAIL CONNECTORS



## CONNECTOR TYPE:

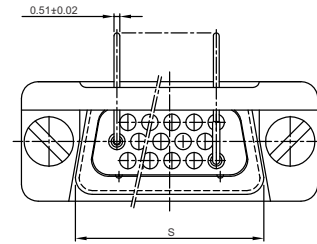
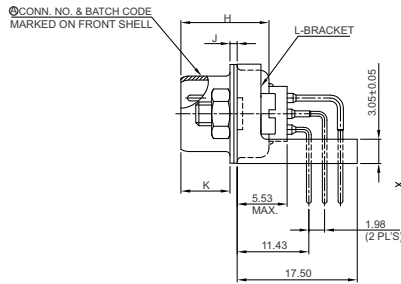
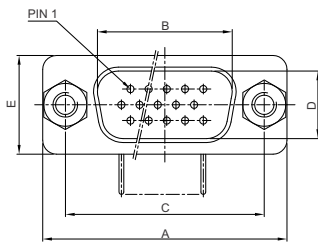
- 23 - RECEPTACLE CONNECTOR (PC TAIL TYPE)
- 24 - PLUG CONNECTOR (PC TAIL TYPE)

## FINISH

- F - CADMIUM YELLOW PASSIVATED
- Z - ZINC YELLOW PASSIVATED
- K - ZINC NICKEL BLACK FINISH
- T - NICKEL PTFE FINISH
- TI - TIN PLATED

## NOTE :

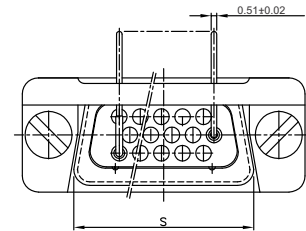
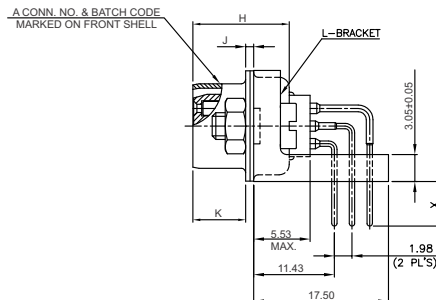
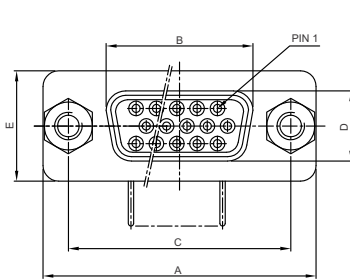
1. BRASS BUSH (SPACER) WILL BE SUPPLIED LOOSE WITH THIS CONNECTOR (NOT APPLICABLE FOR CONNECTOR WITH CLINCH NUT)



DIMENSION TABLE (PLUG CONNECTOR)

CONN. NO.	SHELL SIZE	NO/OF PINS	A ±0.38	B ±0.13	C ±0.13	D ±0.38	E ±0.38	H ±0.25	J ±0.25	K	S ±0.25	X ±0.20
M2000/24-73F	1	15	30.81	16.92	24.99	8.36	12.55	10.72	0.76	6.04/5.82	19.28	3.96
M2000/24-74F	2	26	39.14	25.25	33.33						27.51	
M2000/24-75F	3	44	53.04	38.96	47.04			41.30				
M2000/24-76F	4	62	69.32	55.42	63.50			57.71	5.99/5.68			

## For Right Angle PC Tail Type Connector (Receptacle)

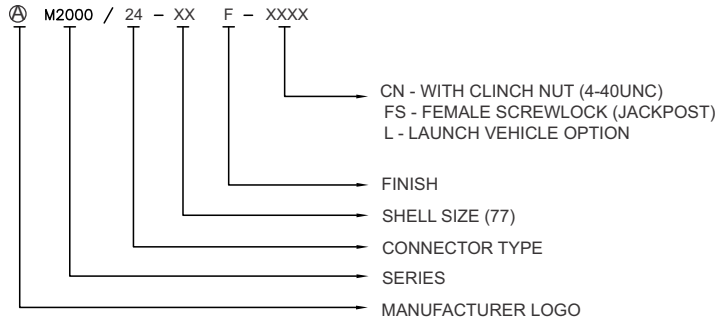


DIMENSION TABLE (RECEPTACLE CONNECTOR)

CONN. NO.	SHELL SIZE	NO/OF PINS	A ±0.38	B ±0.13	C ±0.13	D ±0.38	E ±0.38	H ±0.25	J ±0.25	K	S ±0.25	X ±0.20
M2000/23-73F	1	15	30.81	16.33	24.99	7.90	12.55	10.90	0.76	6.04/6.30	19.28	3.96
M2000/23-74F	2	26	39.14	24.66	33.33						27.51	
M2000/23-75F	3	44	53.04	38.38	47.04			41.30				
M2000/23-76F	4	62	69.32	54.84	63.50			57.71	5.99/5.68			

# Ordering Information Right Angle PC Tail Type Connector

## ORDERING INFORMATION R/A PC TAIL CONNECTORS



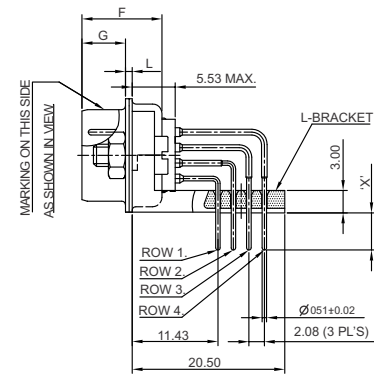
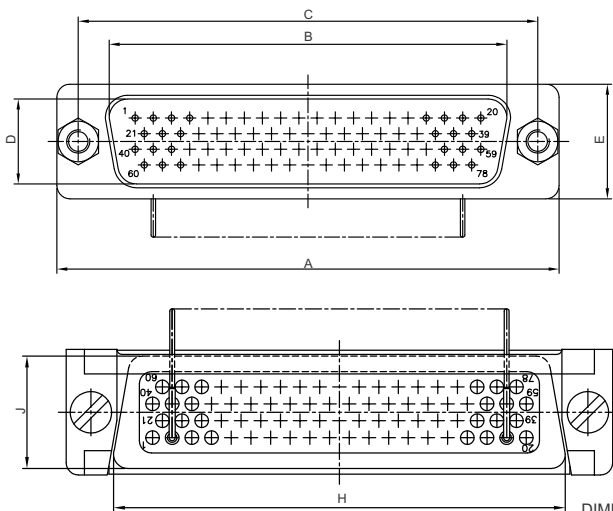
## CONNECTOR TYPE:

- 23 - RECEPTACLE CONNECTOR (PC TAIL TYPE)
- 24 - PLUG CONNECTOR (PC TAIL TYPE)

## FINISH

- F - CADMIUM YELLOW PASSIVATED
- Z - ZINC YELLOW PASSIVATED
- K - ZINC NICKEL BLACK FINISH
- T - NICKEL PTFE FINISH
- TI - TIN PLATED

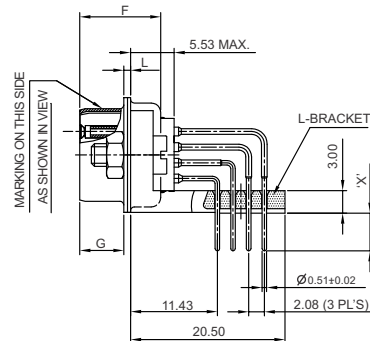
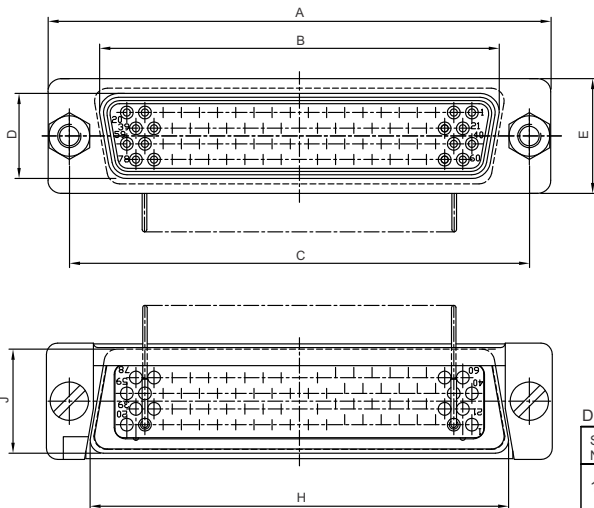
## For Right Angle PC Tail Type Connector (Plug)



DIMENSION TABLE (PLUG CONNECTOR)

SR NO.	PART NO.	NO. OF PINS	SHELL SIZE	A	B	C	D	E	F	G	H	J	L	X
1	M2000/24-77F	78	5	MAX 67.31 MIN 66.55	52.55 52.30	61.24 60.99	10.87 10.62	15.75 14.99	11.15 10.64	6.30 6.05	55.58 55.07	13.82 13.31	1.24 0.74	±0.20 3.96

## For Right Angle PC Tail Type Connector (Receptacle)

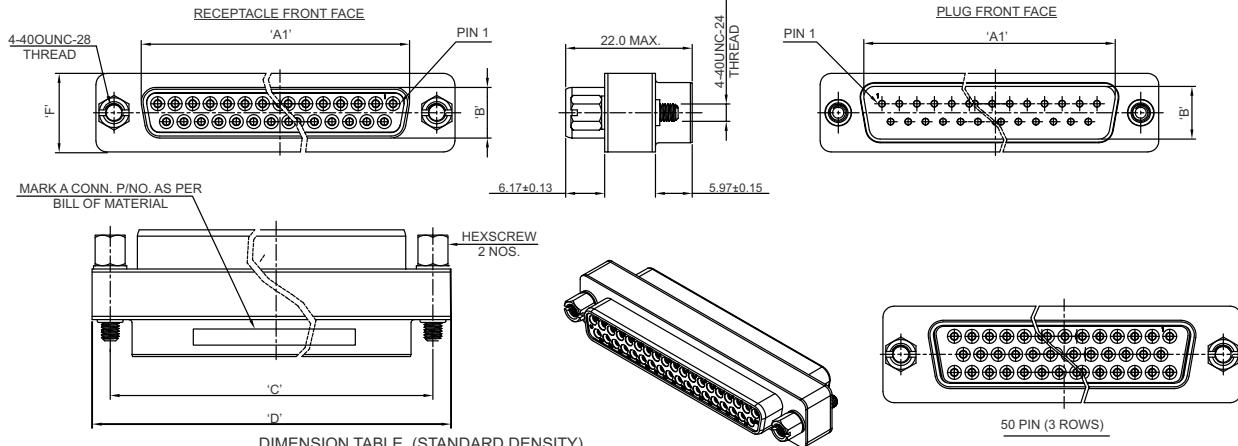
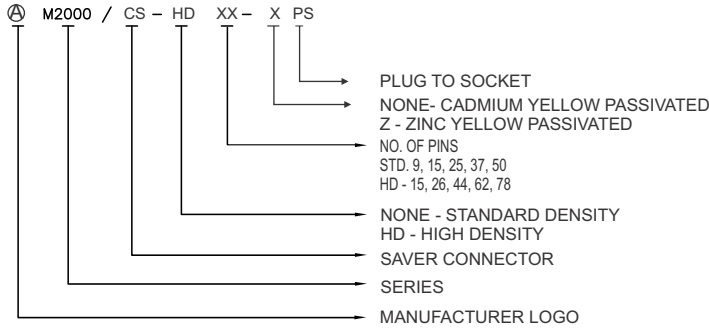


DIMENSION TABLE (RECEPTACLE CONNECTOR)

SR NO.	PART NO.	NO. OF PINS	SHELL SIZE	A	B	C	D	E	F	G	H	J	L	X
1	M2000/23-77F	78	5	MAX 67.31 MIN 66.55	52.55 52.30	61.24 60.99	10.87 10.62	15.75 14.99	11.15 10.64	6.30 6.05	55.58 55.07	13.82 13.31	1.24 0.74	±0.20 3.96

# Ordering Information For Saver Type Connector

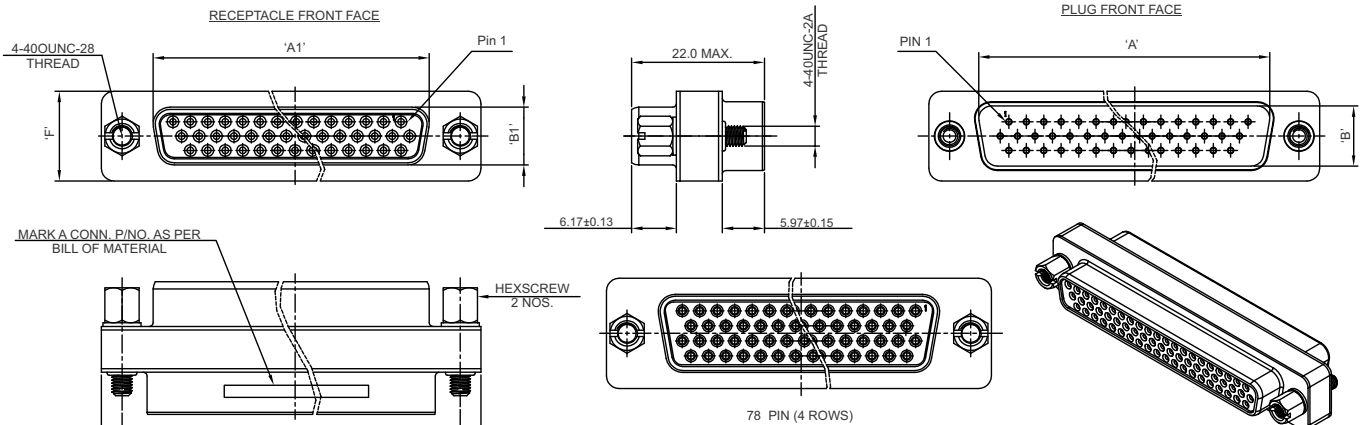
## ORDERING INFORMATION FOR SAVER CONNECTORS



DIMENSION TABLE (STANDARD DENSITY)

SR. NO.	CONNECTOR PART NO.	SHELL SIZE	NO. OF PINS	'A' ±0.13	'B' ±0.13	'A1' ±0.13	'B1' ±0.13	'C' ±0.13	'D' ±0.38	'F' ±0.38
1	M2000/CS-9PS	1	9	16.92	8.36	16.33		24.99	30.81	12.55
2	M2000/CS-15PS	2	15	25.25		24.66		33.32	39.14	
3	M2000/CS-25PS	3	25	38.96		38.38		47.04	53.04	
4	M2000/CS-37PS	4	37	55.42		54.84		63.50	69.32	
5	M2000/CS-50PS	5	50	52.81		11,20		52.43	61.11	

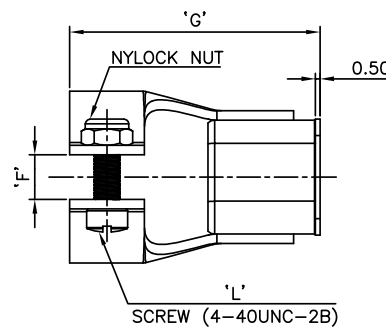
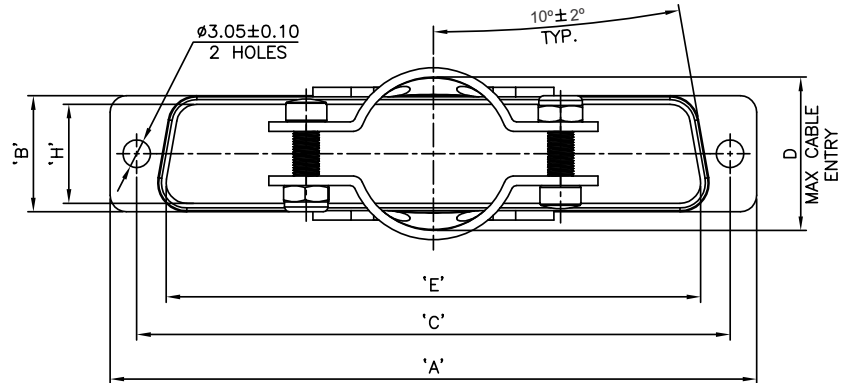
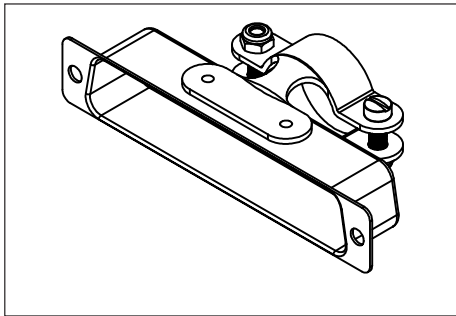
## HD Saver Connector



DIMENSION TABLE (HIGH DENSITY)

SR. NO.	CONNECTOR PART NO.	SHELL SIZE	NO. OF PINS	'A' ±0.13	'B' ±0.13	'A1' ±0.13	'B1' ±0.13	'C' ±0.13	'D' ±0.38	'F' ±0.38	
1	M2000/CSHD-15PS	1	15	16.92	8.36	16.33		24.99	30.81	12.55	
2	M2000/CSHD-26PS	2	26	25.25		24.66		7.90	33.32		39.14
3	M2000/CSHD-44PS	3	44	38.96		38.38			47.04		53.04
4	M2000/CSHD-62PS	4	62	55.42		54.84			63.50		69.32
5	M2000/CSHD-78PS	5	78	52.81		11,20		52.43	10.74		61.11

## D-SUB STRAIN RELIEF BACKSHELL (09 TO 50 PIN)



DIMENSION TABLE :

SR. NO.	PART NO. FOR CADMIUM YELLOW PASSIVATION	PART NO. FOR ELE. NICKEL FINISH	STD.	HIGH	SHELL SIZE	'A'	'B'	'C'	'D'	'E'	'F'	'G'	'H'	'L' ±0.78
			DENSITY	NO. OF PIN'S										
1	M85049/48-2-1F	M85049/48-2-1N	09	15	1	31.06	13.08	25.12	10.31	17.17	3.56	26.95	9.12	9.53
						30.30	12.32	24.87		16.41	2.79	25.43	8.36	
2	M85049/48-2-2F	M85049/48-2-2N	15	26	2	39.26	13.08	33.45	10.31	25.37	3.56	26.95	9.12	9.53
						38.51	12.32	33.20		24.61	2.79	25.43	8.36	
3	M85049/48-2-3F	M85049/48-2-3N	25	44	3	53.16	13.08	47.17	15.06	38.86	5.13	27.74	9.12	9.53
						52.40	12.32	46.91		38.10	4.37	26.21	8.36	
4	M85049/48-2-4F	M85049/48-2-4N	37	62	4	69.42	13.08	63.63	18.24	55.52	6.73	27.74	9.12	12.70
						68.66	12.32	63.37		54.76	5.97	26.21	8.36	
5	M85049/48-2-5F	M85049/48-2-5N	50	78	5	67.06	15.85	61.24	20.62	53.54	8.31	27.74	11.51	15.88
						66.29	15.09	60.99		52.78	7.54	26.21	10.74	

Technical Data :

1. Materials :

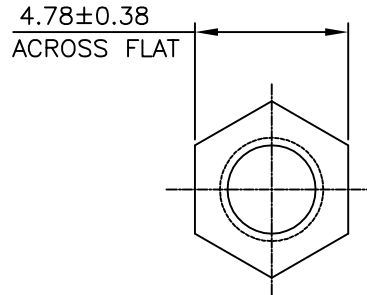
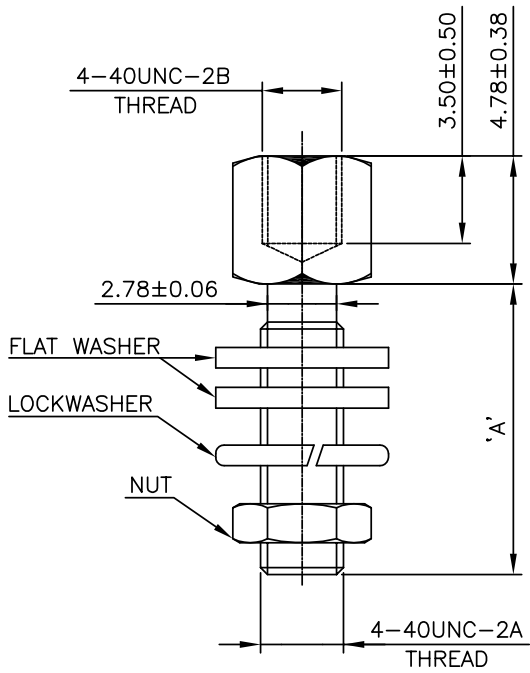
- a) Shell & Clamp : Mild Steel
- b) Hardware : Stainless Steel

2. Finish

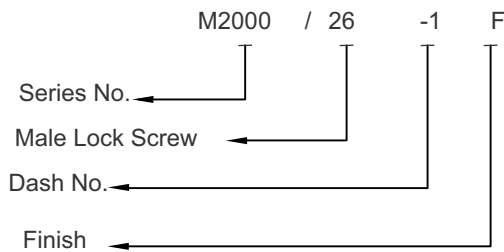
- a) Shell & Clamp : F - Cadmium Yellow Passivation  
: N - Electroless Nickel Finish
- b) Hardware : F - Cadmium Yellow Passivation  
: N - SS Passivation

3. Salt Spray Test : 48 Hours

4. Recommended Torque : 0.35-0.45 N-m (3.50-4.50 Inch Pound)



### Ordering Information:



### Dimension Table :

Sr. No.	MIL Part No.	± 0.38
1.	M2000/26-IF	7.92
2.	M2000/26-2F	15.88

### Finish :

- F- Cadmium Yellow Passivation
- Z- Zinc Yellow Passivation
- TI - Tin Plating
- No. Suffix - Nickel Plating

### Notes:

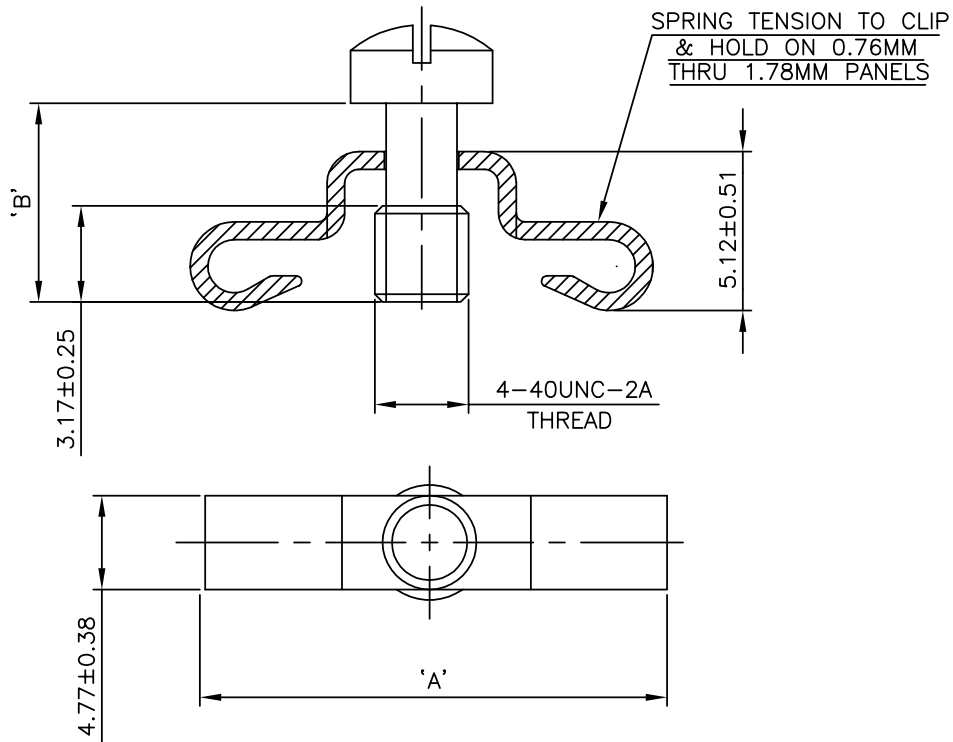
1. All Dimensions in MM
2. When A Connector Using The Alternate Method Of Securing The Shell Is Front Mounted, One Flat Washer Shall Be Used As A Spacer Between The Mounted Surface & The Connector

### Technical Data :

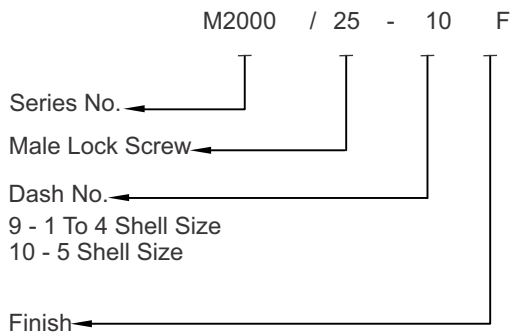
1. Corrosive Atmosphere (Salt Spray) : 48 Hrs. 5% Salt Solution At 35° ± 2°C And 95% To 98% Relative Humidity
2. Material & Finish : Cold Rolled Steel With Cadmium Yellow Passivation

# M Male Screw Lock Assembly

## MALE SCREW LOCK ASSEMBLY (09 TO 50 PIN)



### Ordering Information:



### Dimension Table :

Sr. No.	MIL Part No.	Shell Size	'A' ± 0.38	'B' ± 0.25
1.	M2000/25-9F	1 To 4	14.10	7.14
2.	M2000/25-10F	5	16.66	7.14

### Finish :

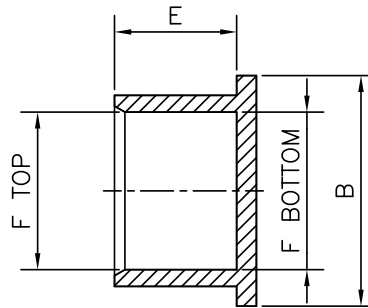
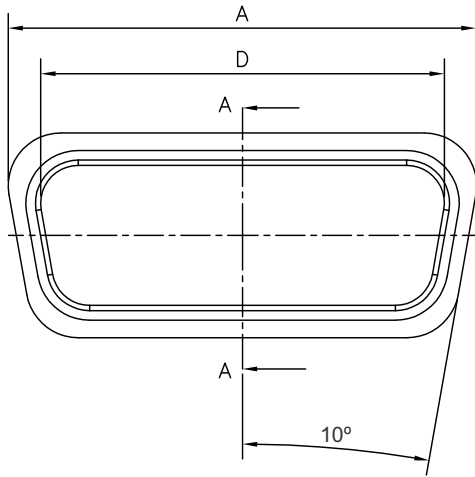
F- Cadmium Yellow Passivation  
Z- Zinc Yellow Passivation  
TI - Tin Plating  
No. Suffix - Nickel Plating

### Notes :

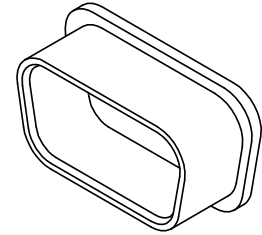
1. All Dimensions In MM
2. Screw Shall Be Captive In The Clip After Assembly By The End User And Corrosion Resistant Steel Screw Shall Be Used With Corrosion Resistant Steel Clip & Cold Rolled Screws Shall Be Used With Sheet Steel Clip



## PLASTIC DUSTCAP FOR RECEPTACLE CONNECTOR



SECTION A-A



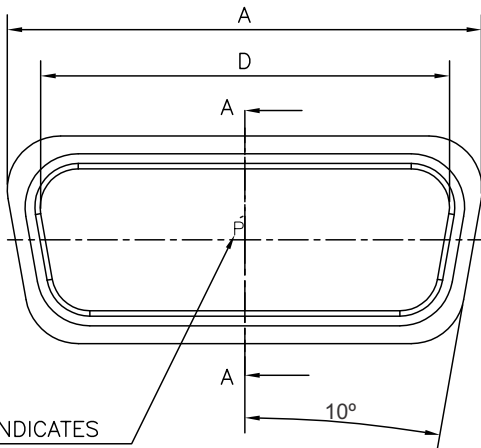
Dimension Table (Receptacle)

SHELL SIZE	NO.OF PIN		PART NO.	'A'	'B'	'D'	'E'	'F'
	STD	HDD		±0.30	±0.30	±0.20	±0.20	±0.20
1	09	15	M2000-109125	18.50	11.80	16.20	5.00	7.65
2	15	26	M2000-109126	27.00	11.80	24.60	5.00	7.65
3	25	44	M2000-109127	40.90	11.80	38.30	5.00	7.65
4	37	62	M2000-109128	57.30	11.80	54.70	5.00	7.65
5	50	78	M2000-109129	55.20	14.50	52.40	5.00	10.50

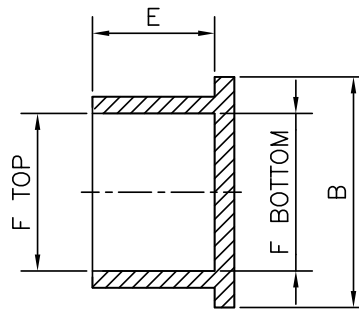
MATERIAL : UL APPROVED POLYPROPYLENE (RED COLOR)

## Plastic Dust Cap Receptacle

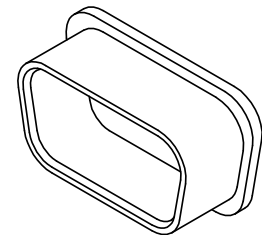
## PLASTIC DUSTCAP FOR PLUG CONNECTOR



"P" INDICATES  
PLUG CAPS



SECTION A-A

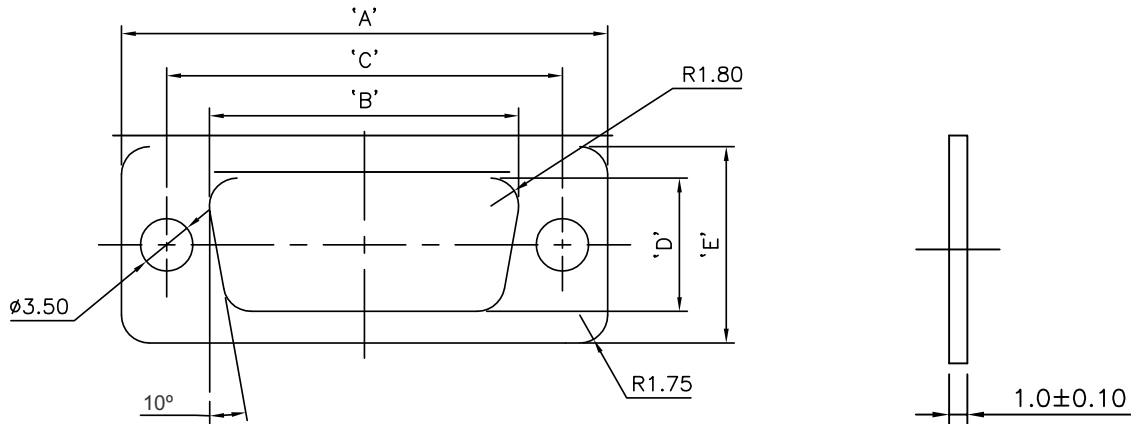


Dimension Table (Plug)

SHELL SIZE	NO.OF PIN		PART NO.	'A'	'B'	'D'	'E'	'F'
	STD	HDD		±0.30	±0.30	±0.20	±0.20	±0.20
1	09	15	M2000-109118	20.30	13.0	17.70	4.50	8.98
2	15	26	M2000-109119	28.10	13.0	26.00	4.50	8.98
3	25	44	M2000-109120	42.00	13.0	40.00	4.50	8.98
4	37	62	M2000-109121	59.00	13.0	56.70	4.50	8.98
5	50	78	M2000-109122	56.0	15.90	54.00	4.50	12.10

MATERIAL : UL APPROVED POLYPROPYLENE (BLACK COLOR)

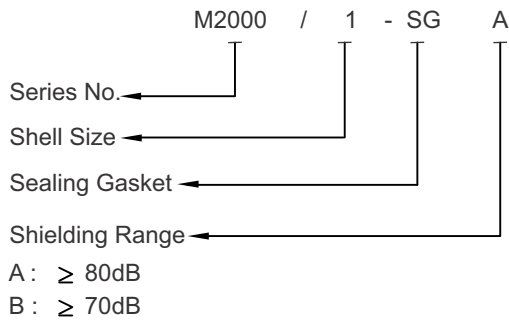
THESE GASKETS ARE SUITABLE FOR MIL-DTL-24308 CONNECTORS



DIMENSION TABLE :

SR NO.	PART NO.	SHELL SIZE	NO. OF PINS		'A' $\pm 0.13$	'B' $\pm 0.13$	'C' $\pm 0.13$	'D' $\pm 0.13$	'E' $\pm 0.13$
			STD	HDD					
1	M2000/1-SG	1	09	15	30.70	19.00	24.99	10.0	12.40
2	M2000/2-SG	2	15	26	39.00	27.00	33.32		
3	M2000/3-SG	3	25	44	52.90	41.00	47.04		
4	M2000/4-SG	4	37	62	69.20	57.00	63.50		
5	M2000/5-SG	5	50	78	66.80	55.00	61.11	13.00	15.25

Ordering Information:



Technical Data

Material : Fluorosilicone  
 Temperature : - 55°C To 160°C  
 Hardness  
 For A Type : 65±10  
 For B Type : 75±7

Note : For Availability Of This Product Please Contact Factory

Notice: All information including illustrations given herein is believed to be accurate at the time of printing. In lieu of design advances Amphenol reserves the right to change specifications without notice. This Publication D-Sub 03 Rev 08-19 Series Connectors supercedes all existing Amphenol literature on D-Sub Series Connectors.





## NORTH AMERICA

### Sales & Product Support

Amphenol PCD  
72 Cherry Hill Drive  
Beverly, MA 01915 USA  
Tel: +1-978-624-3400  
Fax: +1-978-927-1513  
info@amphenolpcd.com  
www.amphenolpcd.com  
www.backshellworld.com

Amphenol Aerospace Operations  
40-60, Delaware Avenue  
Sidney, NY 13838-1395  
Tel: +1-607-563-5011  
Fax: +1-607-563-5357

Amphenol Canada  
Meford Drive  
Scarborough,  
ON M1B 2X6  
Tel: +416-291-4401  
Fax: +416-292-0647

Amphenol Fiber Systems International  
1300 Central Expressway North  
Suite 100 Allen, Texas 75013, USA  
Tel: +1-214-547-2400  
Fax: +1-214-547-9344

## EUROPE

France  
Amphenol Socapex S.A.S.  
948, Promenade de l'Arve  
Bp29, Thyez Cedex  
74311, France  
Tel: +33-4-5089-2800  
Fax: +33-4-5096-1941

United Kingdom  
Amphenol Limited  
Thanet Way, Whitstable  
Kent CT5 3JF, England  
Tel: +44-1227-773-200  
Fax: 44-1227-276-571

Germany  
Amphenol-Air LB GmbH  
Am Kleinbahnhof 4  
Saarlouis  
D-66740, Germany  
Tel: 49-6831-9810-00  
Fax: 49-6831-9810-30

Italy  
Amphenol Military &  
Aerospace Operations—  
European Sales Operations  
Via Barbaiana 5  
20020 Lainate  
Milano,  
Italy+39 02 932 541

Center & East Europe  
Amphenol Austria  
Wiener Gasse 68  
2380 Perchtoldsdorf  
Tel: +43-699-10396071  
Fax: +43 699 40396071

Amphenol Air-LB  
Immeuble Le Doublon  
11, Avenue Dobonnet  
Courbevoie-Cedex  
92407, France  
Ph: +33-1-4905-3000  
Fax: +33-1-4905-3043

Spain  
Amphenol Iberica  
Edificio Burgosol Oficina  
N 55 C/Comunidad de  
Madrid 35 bis -  
Las Rozas (Madrid)  
Tel: +34-91-6407302  
+34-91-6407306  
Fax: +34-91-6407307

Holland  
Amphenol Benelux  
Zadelmaker 121  
NL-2401 PD Alphen  
aan den Rijn Holland  
Tel: +31-172-444903  
Fax: +31-172 240254

Sweden  
Amphenol  
Industrial and Military &  
Aerospace  
Nordic & Baltic  
Military Phone/  
Mobile+46702129200  
Industrial +46 767909560

## ASIA

India  
Amphenol Interconnect India Pvt. Ltd.  
105 Bhosari Industrial Area  
Pune-411026, India  
Tel: +9120-6736-0373  
Fax: +9120-2712-9158

Japan  
Amphenol Japan  
471-1, Deba, Ritto City  
Shiga 520-3041, Japan  
Tel: +81-77-553-8501  
Fax: +81-77-551-2200

Singapore  
Amphenol East Asia Ltd.  
72 Bendemeer Road  
# 03-33 Luzerne  
Singapore 339 941  
Tel: 65-6294-2128  
Fax: 65-6294-3522

China  
Amphenol PCD Shenzhen  
3/F Building, A4 Songbai  
Industrial Park  
East Road of Minghuan  
Gongming Town, Baon District  
Shenzhen, China  
Tel: +86-755-8173-8000  
Fax: +86-755-8173-8180

Amphenol Interconnect India Pvt. Ltd.  
61 Electronics City  
Bangalore-560 100, India  
Ph: +9180-2852-3838  
Fax: +9180-2852-0418

Korea  
Amphenol Daeshin Electronics  
558 SoSa, SongNae, Bucheon-City  
Kyunggi-Do, Korea 420-130  
Tel: +82-32-610-3800  
Fax: +92-32-673-2507

## ROW

Australia  
Amphenol Australia Pty Ltd  
2 Fiveways Boulevard  
Keysborough  
VIC 3173  
Ph: +61-3-8796-8888  
Fax: +61-3-8796-8801

Africa  
Amphenol South Africa  
30 Impala Road  
2196 Sandton-Chistlehurst  
South Africa  
Tel: +27-11-783-9517  
Fax: +27-11-783-9519

Russia  
Amphenol Russia  
8-2 Yaroslavskaja Str  
129164 Moscow, Russia  
Tel: +7-495-937-6341  
Fax: +7-495-937-6319

Argentina  
Amphenol Argentina  
Avenida Callao 930  
2nd Floor, Office B Plaza  
C1023AAP Buenos Aires  
Argentina  
Tel: 54-11-4815-6886  
Fax: 54-11-4814-5779

Israel  
Amphenol Bar-Tec Ltd.  
www.bar-tec.com  
3 Hagavish st  
POB 2479 Kfar-Saba 44641  
Israel+972-9-7644100

Turkey  
Amphenol Turkey & Middle East  
Sun Plaza Kat:19  
Maslak Mah. Bilim Sok.No:5  
34398 Sisli - Istanbul  
Tel: +90-212-335-2501  
Fax: +90-212-335-2500

Brazil  
Amphenol do Brasil Ltda  
Rua Diogo Moreira 132  
CEP 05423-010  
Sao Paulo-SP, Brazil  
Tel: +55-11-3815-1003

# Amphenol

*A Global Company*

