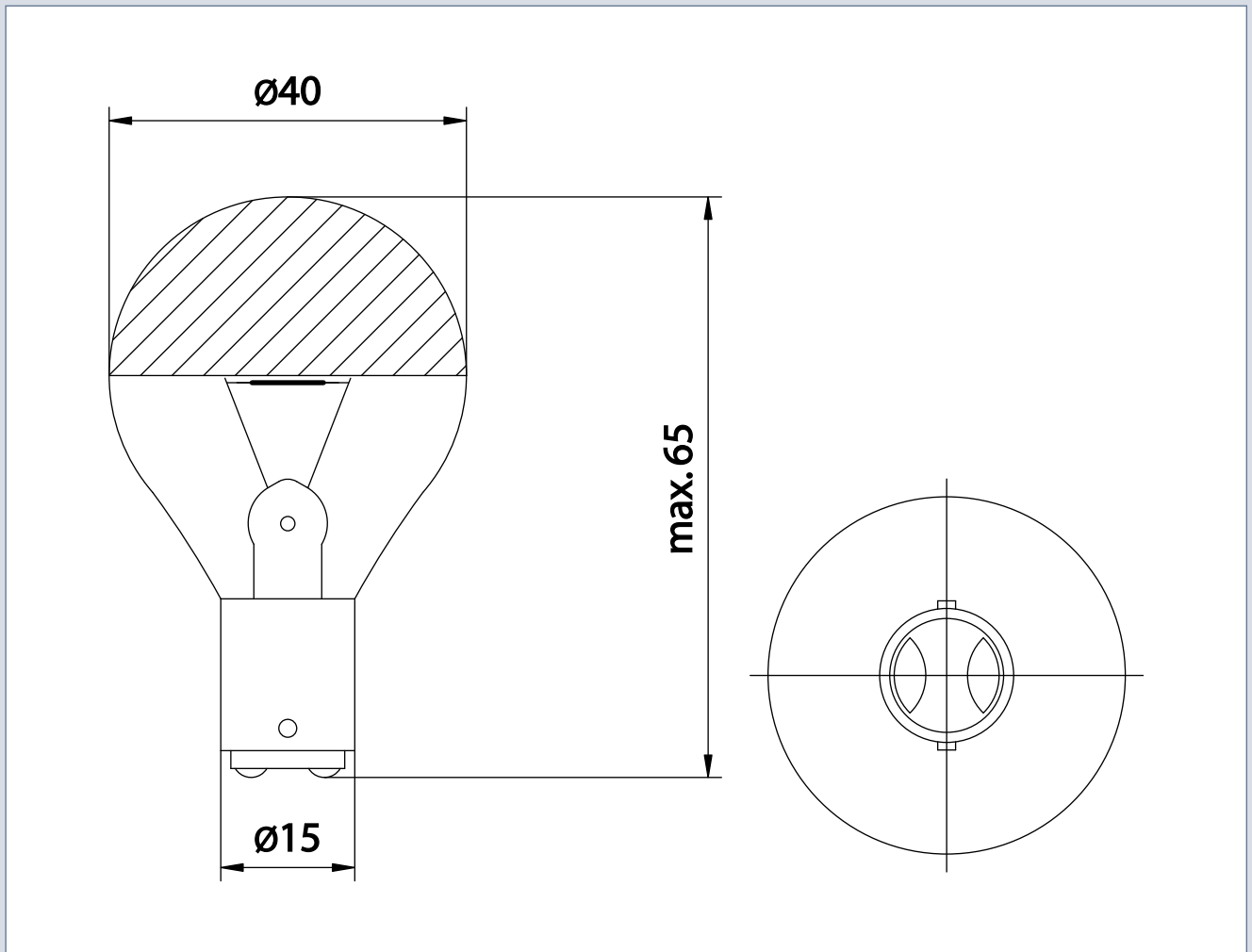


INDUSTRIAL SPECIALTY LIGHTING

Industrial medical - Datasheet



MEDICAL LAMPS - 12V 25W BA15D

PRODUCT NUMBER	302936004	[]	Tol.
VOLTAGE	12	V	
WATTAGE	25	W	± 8
LUMEN OUTPUT	300	LM	± 10
LUMEN PRO WATT	12	LM/W	
AVERAGE LIFE	600	H	
BASE	BA15D	/	
REMARKS	H016191		
BRAND	DR. FISCHER		

FOR INFORMATIONAL PURPOSES ONLY. SIL INT. BV. DISCLAIMS ALL WARRANTIES WITHOUT LIMITATION. INFORMATION MIGHT BE SUBJECT TO CHANGE.



MEDICAL



ENTERTAINMENT



TRAFFIC



MARINE



RAILWAY



AIRFIELD



VARIOUS



TAILOR MADE



IR / UV



PROJECTION



Special industrial Lighting
 Ruysdaelbaan 3F
 5642 JJ Eindhoven
 The Netherlands

Tel : + 31 40 2868 913
 Fax : + 31 40 2868 207
 Website: www.sillamps.com
 Email : silint@special.nl