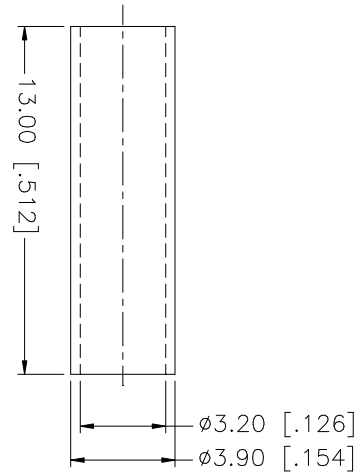
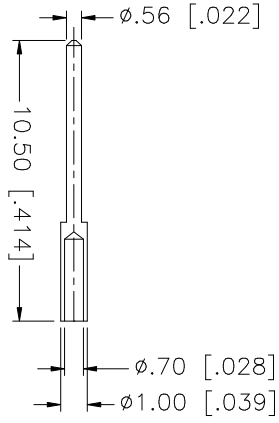
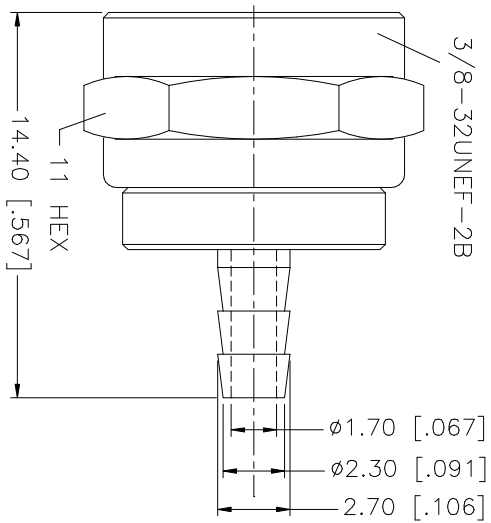
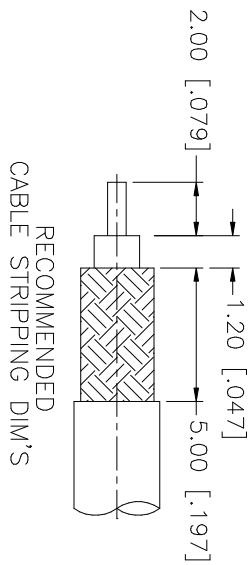


REV.	DATE	DESCRIPTION
A	11/19/02	UPDATE FERRULE DIMENSIONS



NOTES:

1. CRIMPED FERRULE
HEX CRIMP SIZE ".128"

8			
7			
6			
5			
4	FERRULE	COPPER	TIN LEAD
3	CONTACT PIN	BRASS	BRT. TIN
2	INSULATOR	TEFLON	NATURAL
1	BODY/SHELL	BRASS	TIN LEAD
	DESCRIPTION	MATERIAL	FINISH

UNLESS OTHERWISE SPECIFIED
DIMENSIONS ARE IN MILLIMETERS
DIMENSIONS IN []
ARE IN INCHES FOR
CUSTOMER REFERENCE ONLY

UNLESS OTHERWISE SPECIFIED
TOLERANCES FOR INCHES ARE:
.XXX = ± 0.005"
.XX = ± 0.010"
.X = ± 0.020"

DO NOT SCALE DRAWING

APPROVALS	DATE
G.R.S.	11/19/02
DRAWN	
CHECKED	
ISSUED	

Amphenol - Connex
CONNECTOR CORPORATION

F CRIMP PLUG
(FOR RG-316/U, 174/U, 188A/U, CABLE)

SCALE	N/A	PART NO.	222184	SHEET	1 OF 1
SIZE	A	FSCM NO.	99001	DWG. NO.	222184.DWG
REV.	A				