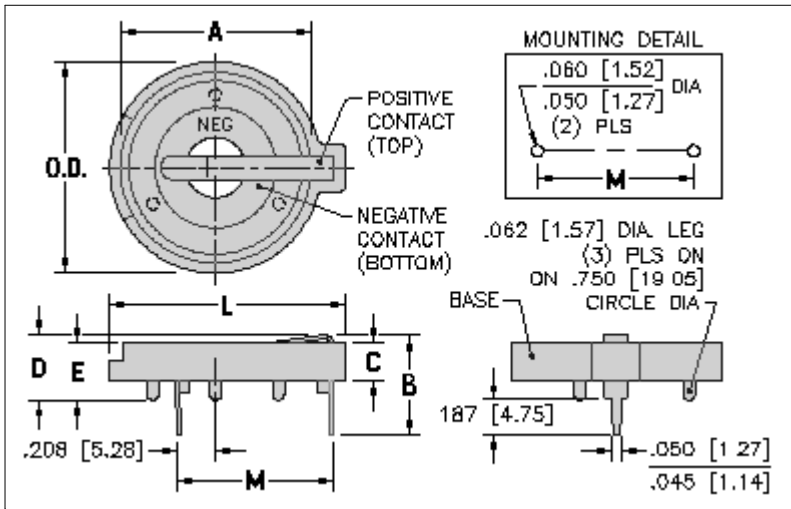


# 20mm Lithium Coin Cell Battery Holders

## Thru Hole Mount (THM)



Cat. No.	Cells	Dims.	A	B	C	D	E	L	O.D.	M
103	One	inch	.796	.513	.195	.335	.295	1.130	.896	.807
		mm	20,22	13,03	4,95	8,51	7,49	28,70	22,75	20,50
106	One	inch	.796	.513	.195	.335	.295	1.219	1.093	.807
		mm	20,22	13,03	4,95	8,51	7,49	30,96	27,76	20,50
1026	Two	inch	.796	.630	.312	.452	.412	1.219	1.093	.807
		mm	20,22	16,00	7,92	11,48	10,46	30,96	27,76	20,50

### Positive & Negative Contacts:

.020" (0,5mm) Spring Steel, Tin Nickel Plate

### Base Material:

PBT UL 94V-0, Black

### Temp. Range:

-60°F to +293°F (-50°C to +145°C)

### Battery Cross Reference

Duracell, Eveready, Panasonic, Sony, Toshiba, Varta, Ray-O-Vac, Sanyo, Seiko

BR2016, CR2016, DL2016, BR2020, CL2020, BR2025

CR2025, DL2025, BR2032, CR2032, DL2032