

# Shelly® RGBW2



## POWER ON



Get a 110–220 VAC to 12-24 VDC

## SHELLY RGBW2



Connect Shelly RGBW2 to the power transformer

## LED STRIPS AND/OR BULBS



Support any 12V or 24 V White, RGB, RGBW led strips and 12/24 V led bulbs, with up to 288 W combined power



### Wireless

No HUB required – Connect Shelly RGBW2 directly to your Wi-Fi at home.



### Weekly Schedules

Choose a time and set your hidden lighting to turn on/off or change color.



### Sunrise/Sunset Schedules

Shelly RGBW will automatically follow the sunrise and sunset and can control your lighting accordingly.



### Color Effects

The 6 unique colorful effects will set the mood for your party or help you relax at home.



### Control Remotely

Control the LED lighting at home, no matter where you are. Now you won't be leaving the lights on and your home won't welcome you in darkness.



### Highly Compatible

Compatible with Android, iOS, Amazon Alexa and Google Assistant.



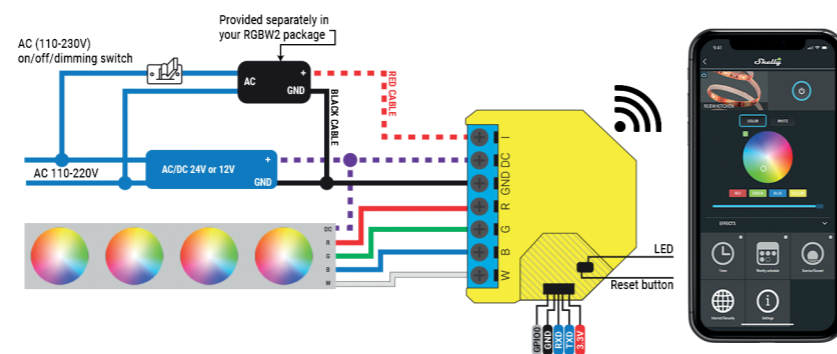
### Support 12V or 24V

With Shelly RGBW2 you can use White, RGB, RGBW led strips and 12/24V led bulbs, with up to 288W combined power.



### ON/OFF and Dimming Function

No more forgotten turned on appliances. The integrated countdown timer can automatically switch off your lights after an hour.



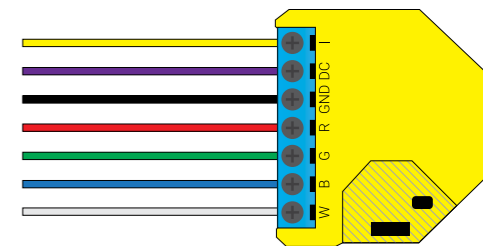
## WI-FI RGBW LED CONTROLLER

Make your LED strips smart without additional investment. **Shelly RGBW2** connects like any LED controller. The main benefit is that you will be able to control your light directly from your mobile phone.

## TECHNICAL SPECIFICATIONS

Interfaces	
<b>Output interface</b>	4 ways PWM: R/G/B/W 3 ways PWM: R/G/B 4 ways PWM: 4x White strips or 4x12/24 V LED bulbs
<b>Interface</b>	Reset button, AC 230 V switch input
<b>AC switch</b>	On/Off and Dimming function
Wi-Fi Parameters and Features	
<b>Wi-Fi work mode</b>	STA/AP/STA+AP/Smart Config
<b>Security Specialty</b>	None, WEP, WPA-PSK, WPA2-PSK (TKIP/AES)
<b>Wi-Fi Standard</b>	IEEE 802.11b/g/n
<b>Wi-Fi Power</b>	802.11b (CCK) 11 Mbps: 20+/-1.5 dBm
	802.11g (OFDM) 54 Mbps: 15.5+/-1.5 dBm
	802.11n(HT20@MCS7) 72.2 Mbps: 14.5+/-1.5 dBm
<b>Frequency</b>	2401- 2495 MHz
<b>Antenna</b>	Embedded
Power Input/output	
<b>DC Power Input</b>	12-24 V
<b>DC Power Output 12V</b>	144 W - combined power; 45 W - per channel
<b>DC Power Output 24V</b>	288 W - combined power; 90 W - per channel
<b>Standby Current</b>	≤50 mA
Work environment	
<b>Working temperature</b>	-20°C ÷ 40°C
<b>Work humidity</b>	5% to 95% (No condensing)
<b>Wi-Fi Range</b>	Indoor: 35m, Outdoor: 60m (depending on the environment)
<b>Dimensions (HxWxL)</b>	43x38x14 mm
<b>Wire cross section range</b>	0.5 ÷ 1.5 mm <sup>2</sup>

- Focus on 8~36 W lamps such as droplight, ceiling lamp, table lamp, down lamp or other
- Support 5 ways PWM, applied to control 5 colors LED(R/G/B/CW/WW),
- Offers mobile phone App, supporting iOS and Android
- Configure network via the mobile App
- Supports local and remote control
- Supports Weekly Schedules
- Supports Sunrise/Sunset time based Schedules
- 6 color effects



### Legend

- AC or DC on/off/dimming switch
- + 12/24 VDC
- - 12/24 VDC
- Red Light
- Green Light
- Blue Light
- White Light