

### Model No.: GPCR2450

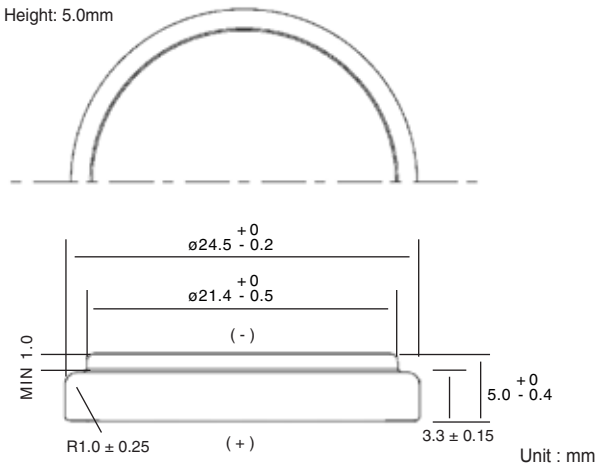
<b>Description</b>	: Flat Lithium Battery
<b>Chemical System</b>	: Lithium Manganese Dioxide
<b>Nominal Voltage</b>	: 3.0 Volts
<b>Nominal Capacity</b>	: 600mAh
<b>Dimensions</b>	: 24.5 x 5.0 mm
<b>Shelf Life</b>	: 5 years at room temperature
<b>Average Weight</b>	: 6.6g
<b>Application</b>	: Watch, calculator, camera and memory back up.

### Cross References:

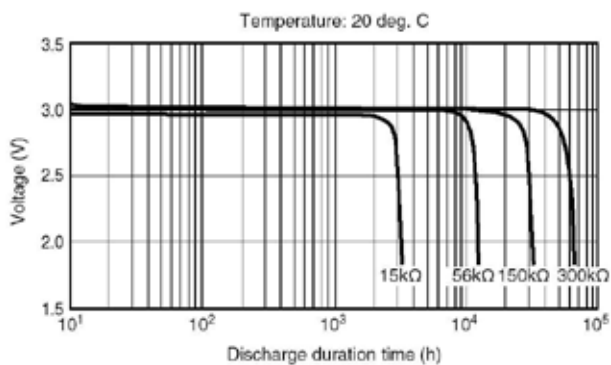
GP	IEC	JIS	Eveready	Varta
CR2450	CR2450	CR2450	ECR2450	CR2450

### Dimension Drawing

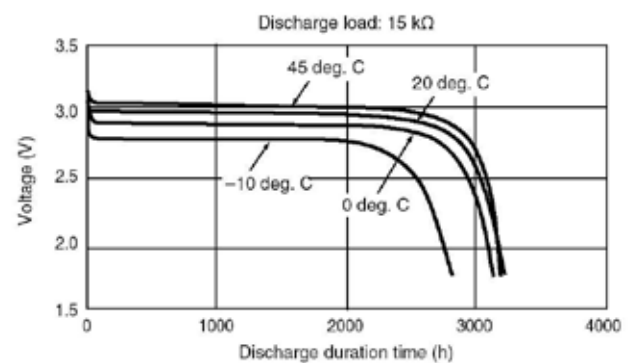
Diameter: 24.5mm  
Height: 5.0mm



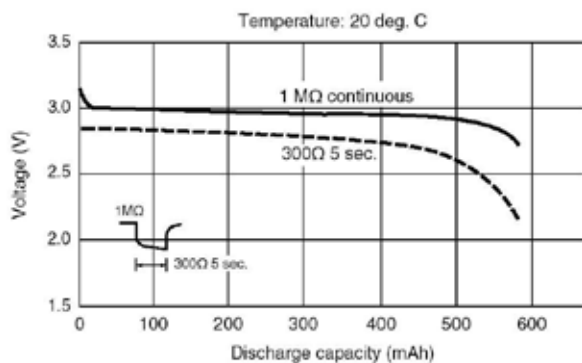
### Discharge Characteristics



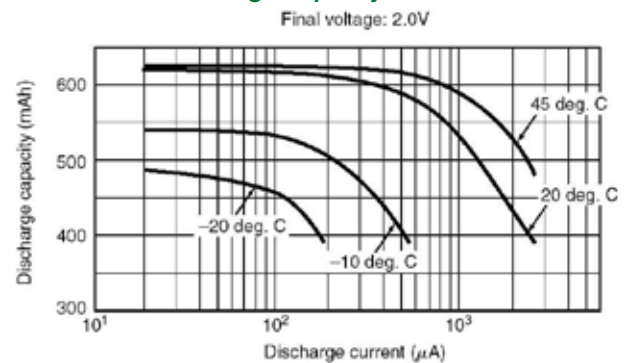
### Temperature Characteristics



### Pulse Discharge Characteristics



### Relationship between Discharge Current and Discharge Capacity



The information (subject to change without prior notice) contained in this document is for reference only and should not be used as a basis for product guarantee or warranty. For applications other than those described here, please consult your nearest GP Sales and Marketing Office or Distributors.