

Case

black 320 x 280 x 119 mm, Polypropylene



FEATURES:

Plastic case with foam

Innovative design with soft lines

External customization: screen-printing on both sides, embossed

Die-cut foam inlay

Cases stack inside each other for easier and more efficient storage and freight

SPECIFICATION:

External dimensions W x D x H 320 x 280 x 119 mm

Dimensions, internal W x D x H 312 x 225 x 115 mm

Colour black

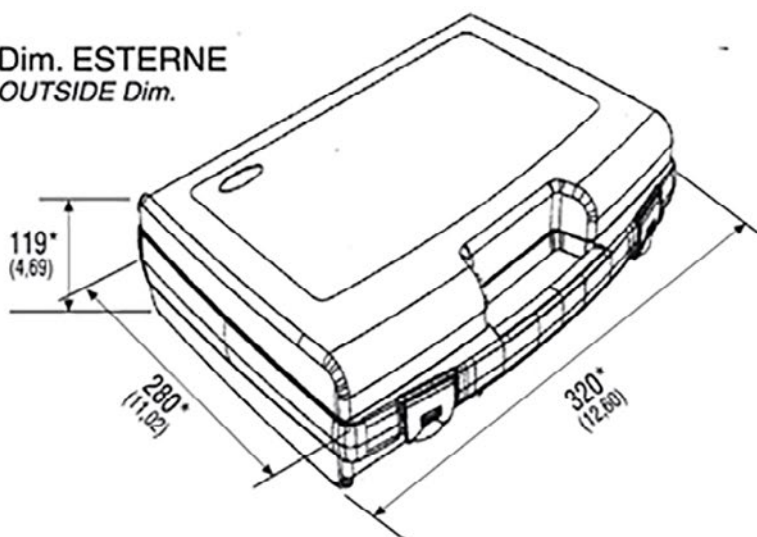
Material Polypropylene



Art. Nr.

RND 550-00078

Dim. ESTERNE
OUTSIDE Dim.



Dim. INTERNE
INSIDE Dim.

H interna 115*
Inside H (4.53)

