

# Case

black 320 x 280 x 119 mm, Polypropylene



## FEATURES:

Plastic case with foam

Innovative design with soft lines

External customization: screen-printing on both sides, embossed

Die-cut foam inlay

Cases stack inside each other for easier and more efficient storage and freight

## SPECIFICATION:

External dimensions W x D x H 320 x 280 x 119 mm

Dimensions, internal W x D x H 312 x 225 x 115 mm

Colour black

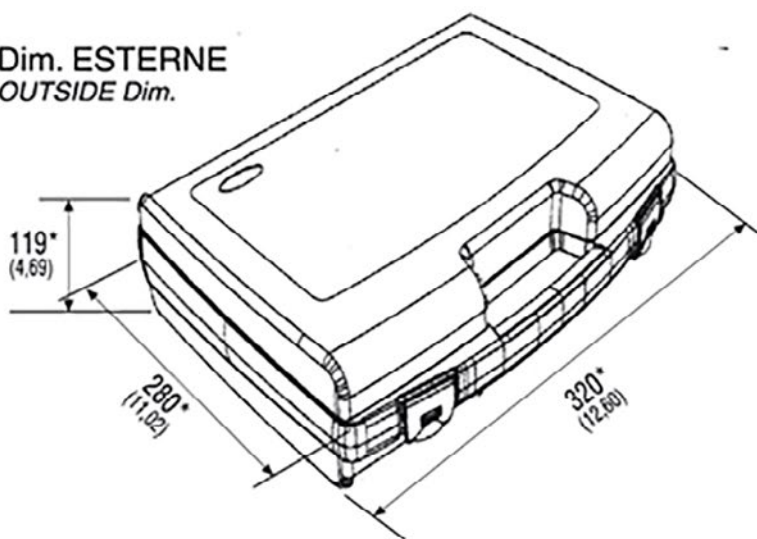
Material Polypropylene



Art. Nr.

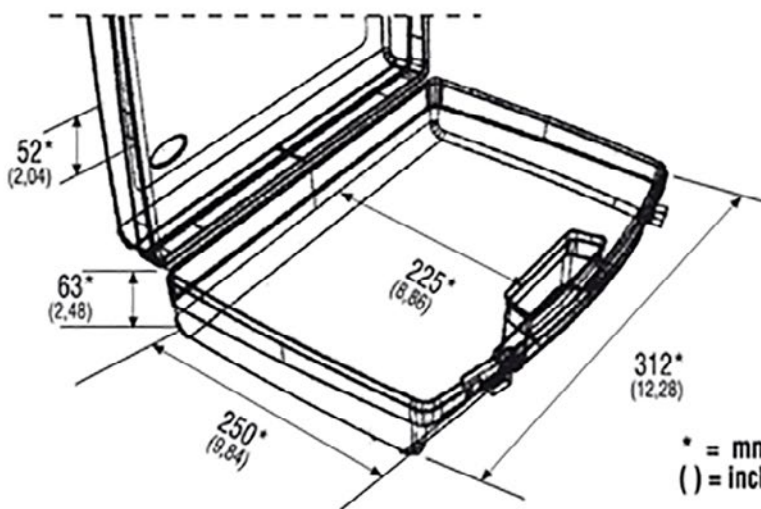
RND 550-00078

**Dim. ESTERNE**  
*OUTSIDE Dim.*



**Dim. INTERNE**  
*INSIDE Dim.*

H interna 115\*  
Inside H (4,53)



\* = mm.  
( ) = inch.