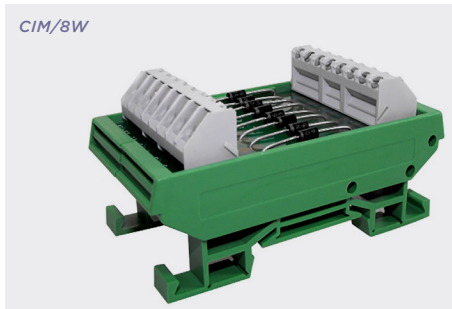


002  
PCB TERMINAL  
BLOCKS081  
TERMINAL STRIPS095  
WIRE TO BOARD  
CONNECTORS100  
CIRCULAR  
CONNECTORS151  
IP68 CONNECTORS158  
INTERFACE  
MODULES AND  
RELAY BASES

# Diode module and component modules

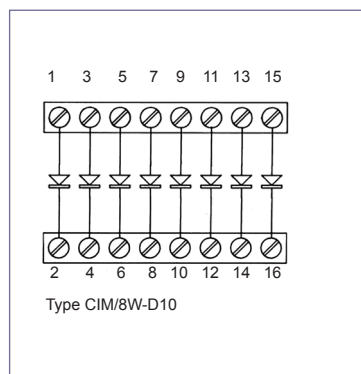
## Product overview

- Protects against return voltage to circuits
- Low profile
- 45° cable entry for easy access
- Available also as a component carrier
- Custom interfaces available to order



PART NO.	DESCRIPTION
CIM/8W-DIO	Diode module
CIM/8W-COMP	Without diodes component carrier

SPECIFICATION	
Voltage	250V DC max
Current	1A max
Characteristics of IN4007	1000V Peak 250V 1Amp
Width	82mm
Length	45mm

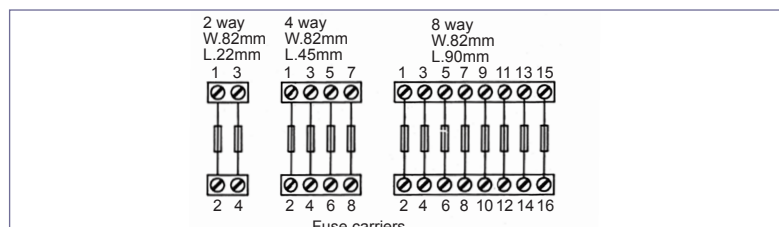
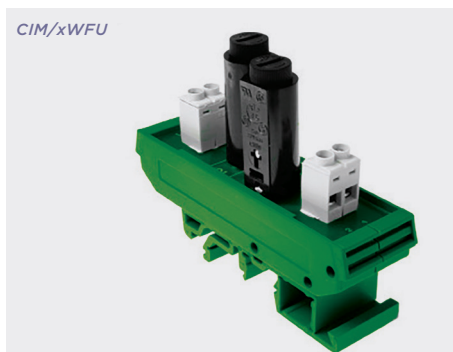


## Fuse modules

### Product overview

- Available with either screw terminal blocks or pluggable terminals
- Available with LED indication
- Custom interfaces available to order
- approved fuseholders

SPECIFICATION	
Voltage	250V AC max
Fuse	Current max per fuse 3A, max total 6.3A
Fuse size	20x5mm full range available
Fuseholders	Screwdriver release, bayonet cap
Terminations	Rising clamp 4mm <sup>2</sup> wire acceptance
Width	82mm all types
Length	2 way 22mm 4 way 45mm 8 way 45mm



PART NO.	FUSES	TERMINAL
CIM/2Wfu-S	2	Screw terminals
CIM/2Wfu-C	2	Pluggable terminals (vertical mating)
CIM/4Wfu-S	4	Screw terminals
CIM/4Wfu-C	4	Pluggable terminals (vertical mating)
CIM/8Wfu-S	8	Screw terminals
CIM/8Wfu-C	8	Pluggable terminals (vertical mating)

## ASSOCIATED PRODUCTS

CIME/M/MPR

- Wall mount plates

page 168