

## Heatsink

Order code	Manufacturer code	Description
36-0184	n/a	TV5 HEATSINK T0220 TWISTED VANE 19MM RC

Heatsink	Page 1 of 3
The enclosed information is believed to be correct, Information may change without notice due to product improvement. Users should ensure that the product is suitable for their use. E. & O. E.	Revision A 20/02/2007

For use with TO-220 packages

Printer friendly version

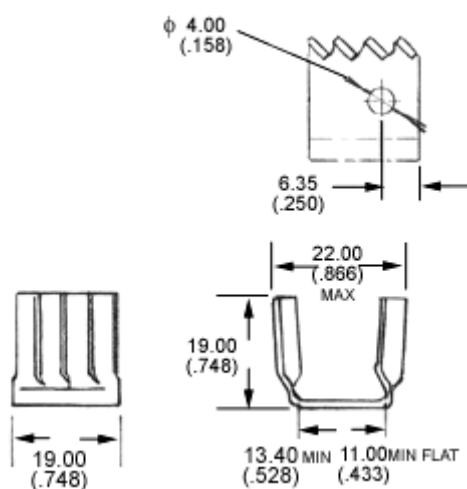
Part Number - TV5G

RoHS    
 Compliant

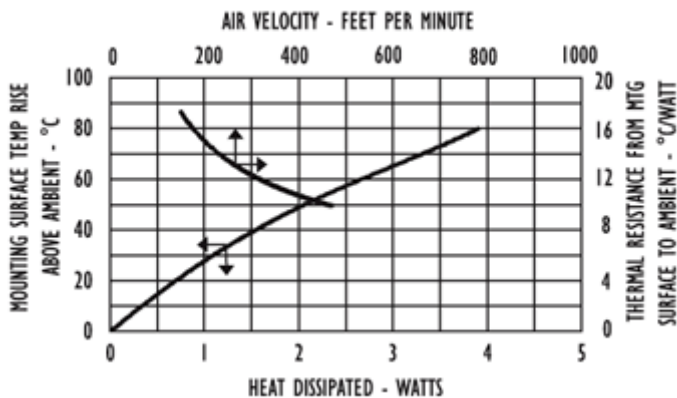
Product    
 Change   
 Notice



### Mechanical Outline Drawing



### Thermal Curves



Thermal Resistance	21.00
--------------------	-------

Thermal resistance value is based on a 75°C rise in natural convection

## Product Information

Part #	Description	Finish	Board Mounting
TV5G	Narrow channel style heat sink featuring twisted fins	Black Anodize	N/A

### Not Exactly what you need?

We offer several options for those applications which require a more unique solution. For slight modifications of this part or other attachment options, finishes, and interface materials, contact your [local representative](#). Challenge us with your thermal requirements - we can design custom solutions.

**For technical help with our Standard Products,  
please call (603) 224-9988, or contact your local Manufacturer's Rep  
Email: [info@aavid.com](mailto:info@aavid.com)**

Visit us at [www.aavidthermalloy.com](http://www.aavidthermalloy.com) • ©2007 Aavid Thermalloy, LLC