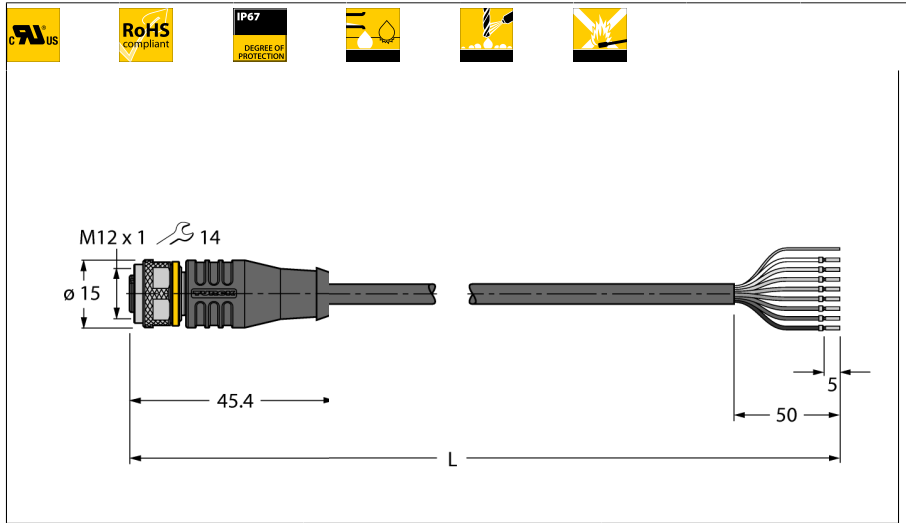


**Actuator/sensor cable, PVC**  
**Connection cable**  
**RKS8T-5/TEL**



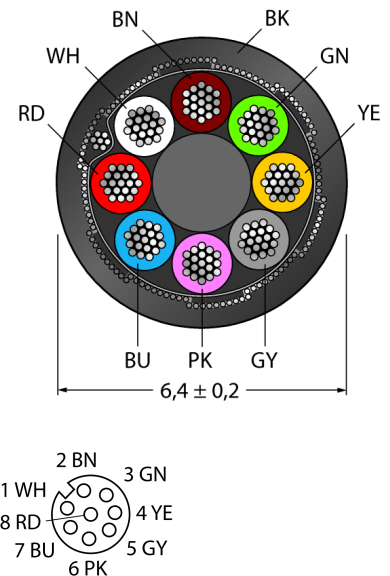
- Female M12, straight, 8-pin
- Shield on coupling nut/screw
- Sheath material: PVC, shielded
- Sheath color: black
- Resistant to chemicals and oils
- Flame retardant
- Resistant to acids and alkaline solutions
- Resistant to microbes and hydrolysis
- LABS free
- Approval: cULus
- RoHS conform
- Protection class IP67
- Cable length: 5.0 m

**Type designation** RKS8T-5/TEL  
**Ident no.** 6625447

**Connector A side** Female connector, M12 - 1, Straight  
**Number of pins** 8  
**Contacts** Brass, CuZn, Gold-plated  
**Contact carriers** Plastic, TPU, Black  
**Grip** Plastic, TPU, Black  
**Coupling nut/screw** Brass, CuZn, Nickel-plated  
**Seal** Plastic, FPM/FKM  
**Protection class** IP67, A + B side screwed together  
**Mechanical lifespan** > 100 Mating cycles  
**Pollution degree** 3  
**Tightening torque** 0.8 ... 1 Nm  
 (observe max. torque of counter piece!)

**General data**  
**Cable diameter** 6.4 ± 0.20mm  
**Cable length** 5 m  
**Cable quality** PVC  
**Cable color** Black  
**Core insulation** PVC  
**Core colors** WH, BN, GN, YE, GY, PK, BU, RD  
**Core cross-section** 8x0.25mm<sup>2</sup>  
**Arrangement of strands** 32x0.1 mm  
**Shielding** Aluminum foil, tinned copper wire

**Cable Cross-section**

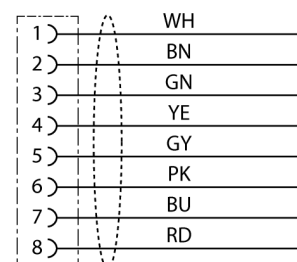


**Electrical features at +20 °C**  
**Current** 2 A  
**Rated voltage** 30 V  
**Insulation resistance** > 30.5 MΩ/km  
**Test voltage** 2000 V  
**Forward resistance** max. 79 Ω/km

Drawing shows design status including hexagon coupling nut (Start of production CW42/2016).

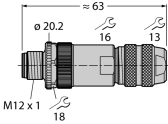

**Mechanical and chemical properties**  
**Bending radius (stationary laying)** > 5 x Ø  
**Bending radius (flexible use)** > 10 x Ø  
**Ambient temperature**  
**Stationary** -40...+105°C  
**In motion** 0...+80°C

**Circuit Diagram**



**Actuator/sensor cable, PVC**  
**Connection cable**  
**RKS8T-5/TEL**

**Accessories**

Type code	Ident no.	Description	
CMBS8181-0	6930792	Field-wireable male connector, M12 (— 1, straight, 8-pin, screw terminal connection, cable feedthrough 6.0 to 8.0 mm, core cross-section/terminal capacity 0.14 to 0.50 mm <sup>2</sup> , metal housing, metal nut, shieldable, also for Ethernet	
Torque-Wrench-Set-AS	6936170	Torque wrench set; handles with adjustable torque 0.4-1.0 Nm, torque wrench for M8 (SW9), fork wrench for M12 (SW 14)	
BLANK-LABEL-FOR-CORDESETS-TEL-TXL	6936206	Label for TEL and TXL cables, length: 18 mm, height: 4 mm, material: polycarbonate (PC), color: white, halogen-free and flame-retardant	