



Datenblatt - Fiche technique - Data sheet

**12.03.3116**

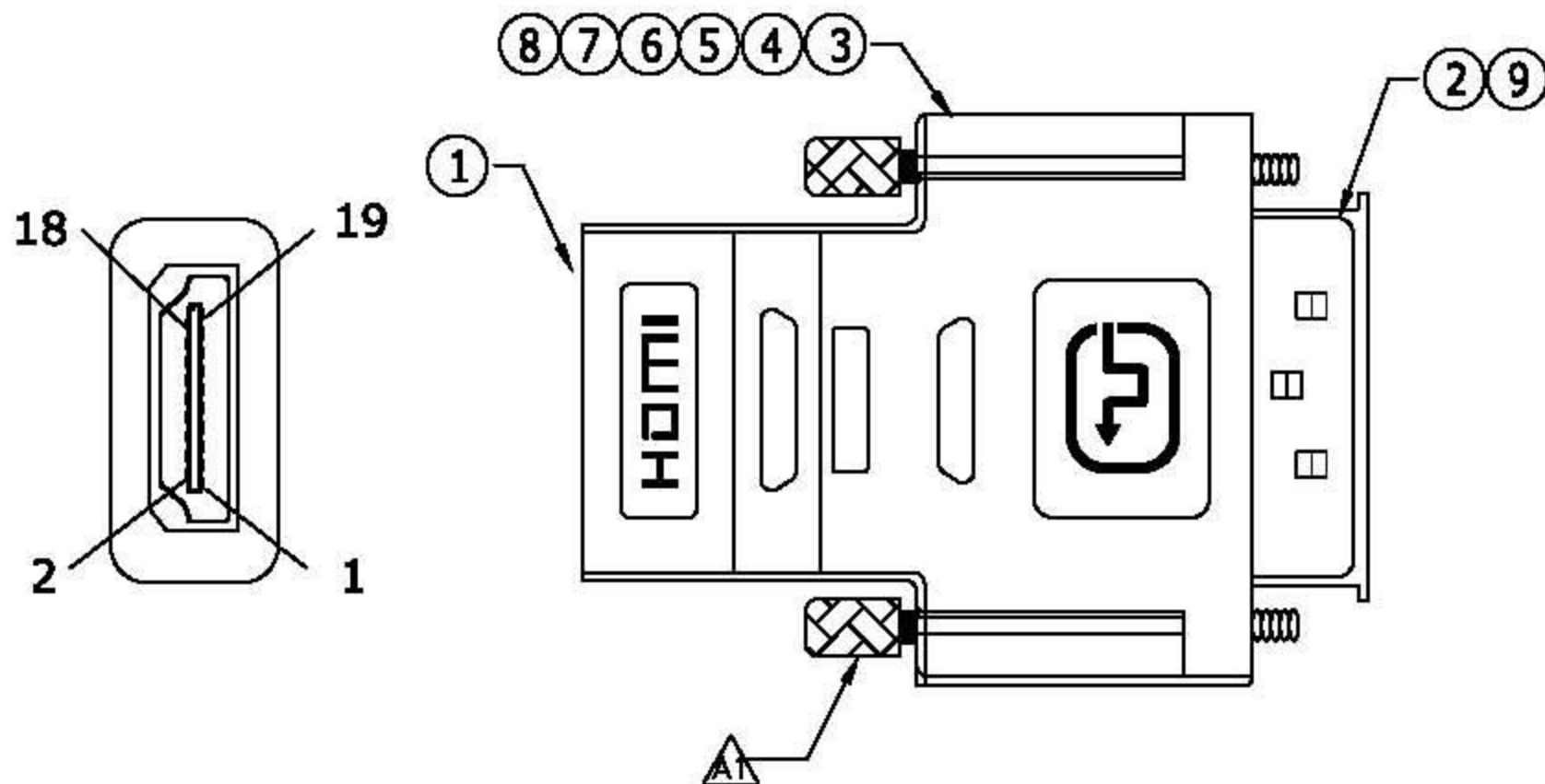


ROLINE HDMI-DVI Adapter, HDMI BU / DVI-D ST

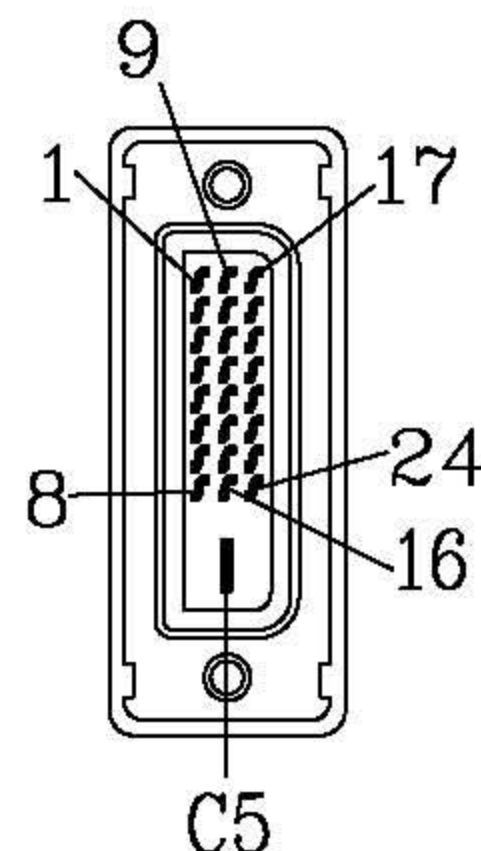
ROLINE Adaptateur HDMI-DVI, HDMI F - DVI-D M

ROLINE DVI-HDMI Adapter, DVI M - HDMI F

P1



P2



**ELECTRICAL TEST:**

- 1.100% OPEN & SHORT & MIS WIRE TEST
- 2.CONTACT RESISTANCE:1 OHM(MAX)
- 3.INSULATION RESISTANCE:10M OHM(MIN)
- 4.HI-POT TEST:DC 300V/10ms

HDMI		DVI HDMI		DVI	
1	2	10	23		
3	1	12	24		
2	3	11	22		
4	10	15	6		
6	9	16	7		
5	11	17	15		
7	18	18	14		
9	17	19	16		
8	19	SHELL	SHELL		

10	A6-R104248	HDMI F BLACK 30P PVC JACKET	1	pcs
9	A6-0000025	DVI M Dust Cover	1	pcs
8	A7-R040042	THUMBSCREW:2.8*33.7 GOLD	2	pcs
7	A4-R005315	UL1007 28AWG TS L=40MM TWO ENDS STRIP 2MM BLACK	1	pcs
6	A4-R005292	UL1007 28AWG TS L=29MM TWO ENDS STRIP 2MM BLACK	11	pcs
5	A4-R005291	UL1007 28AWG TS L=25MM TWO ENDS STRIP 2MM BLACK	6	pcs
4	A5-R047001	BLACK PVC 45P	20	g
3	A5-R047011	TRANSPARENT PE	4	g
2	A2-R020046	DVI(24+1) M SOLDER TYPE,GOLD PLATED,BLACK INSULATION	1	pcs
1	A2-R020299	HDMI F 19P SOLDER TYPE WITH PCB BOARD,GOLD PLATED,BLACK INSULATION	1	pcs
NO	CELINK P/N	DESCRIPTION	Q'TY	UNIT

REV.	TOLERANCE		DESCRIPTION	DATE
	INCHES	M/M	Rotronic Co., Ltd.	
.X	.015	.30	TITLE: HDMI F TO DVI (24+1)M,Adapter Gold Plated 43#	
.XX	.010	.10		
.XXX	.005	.05		
DRAWN BY	LYNN		CUSTOMER :	
CHECK BY			CUSTOMER P/N :	
APPD BY			SCALE	NONE
	DATE	2009.11.23	UNIT	MM
			DATE	12.03.3116
				REV. A
				1/4