

# Double Loop Mounting Tie multicomp<sup>PRO</sup>

RoHS  
Compliant



## Specification

Material : UL approved nylon 66, 94V-2.

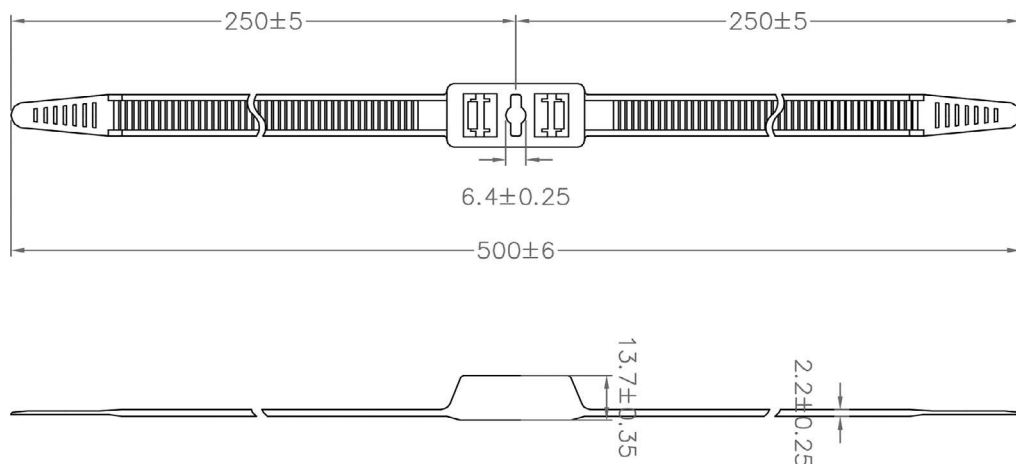
Colour : Black.

Application : Double head design to secure wires, tubing or hoses parallelly separated.

Feature : Two way insertion head design to facilitate fast wire, hoses, tubing bundling from either direction.

Part Number	L		L1		Width W	Mounting Hole Dia.	Max. Bundle Dia.	Min Loop Tensile Strength		Packing
	mm	inch	mm	inch				Lbs	Kgs	
MP010049	500	19 11/16"	250	10"	12.7	6.2	60	250	114	20 pcs / Bag

## Dimensions



## Part Number Table

Description	Part Number
Cable Tie, Double Loop Mounting, Nylon 66, 500mm, Black, PK20	MP010049

Dimensions : Millimetres

**Important Notice** : This data sheet and its contents (the "Information") belong to the members of the AVNET group of companies (the "Group") or are licensed to it. No licence is granted for the use of it other than for information purposes in connection with the products to which it relates. No licence of any intellectual property rights is granted. The Information is subject to change without notice and replaces all data sheets previously supplied. The Information supplied is believed to be accurate but the Group assumes no responsibility for its accuracy or completeness, any error in or omission from it or for any use made of it. Users of this data sheet should check for themselves the Information and the suitability of the products for their purpose and not make any assumptions based on information included or omitted. Liability for loss or damage resulting from any reliance on the Information or use of it (including liability resulting from negligence or where the Group was aware of the possibility of such loss or damage arising) is excluded. This will not operate to limit or restrict the Group's liability for death or personal injury resulting from its negligence. Multicomp Pro is the registered trademark of Premier Farnell Limited 2019.

Newark.com/multicomp-pro  
Farnell.com/multicomp-pro  
sg.element14.com/b/multicomp-pro

**multicomp<sup>PRO</sup>**