

Three-Lobed Torque Handles

24711.0311



Product Description

Torque handles are used wherever a limitation of the exerted hand force is required. The three-lobed torque handle with integrated torque mechanism allows a defined torque limit during tightening. Reaching the torque results in an "over-locking". For releasing the torque is transmitted indefinitely. These handles combine the functionality of a ratchet wrench with the modern and ergonomic design of a three-lobed handle.

Material

Cap

- Plastic, light grey

Torque mechanism

- Steel, hardened

Handle

- Thermoplastic PA-HP, glass fibre reinforced, black, matt

Inner part

- Steel, blackened

Screw

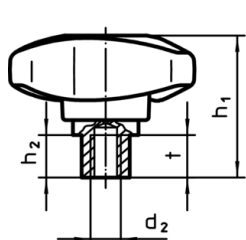
- Steel, blackened

More information

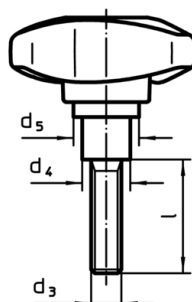
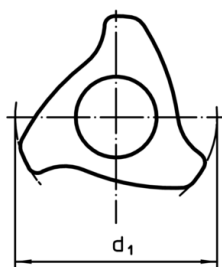
Further products

- Torque Handles

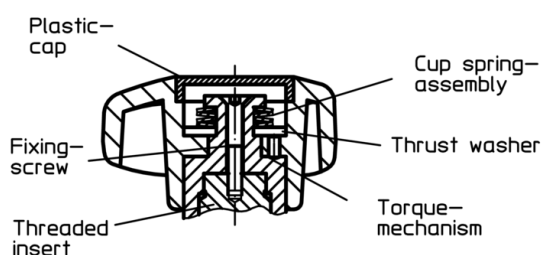
Drawing



picture 1



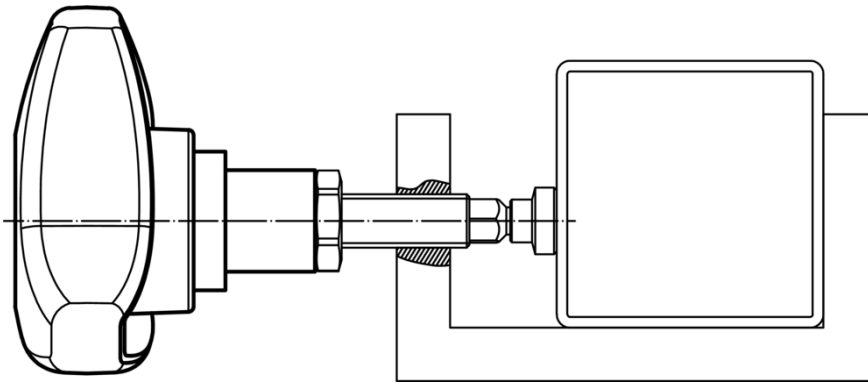
picture 2



Order information

| Dimensions | | | | | | | Tightening torque +/- 10% max. [Nm] | [g] | Art. No. |
|------------------------|----------------|----|----------------|----------------|----------------|----------------|--|-----|------------|
| d ₁ | d ₃ | l | d ₄ | d ₅ | h ₁ | h ₂ | | | |
| [mm] | | | | | | | | | |
| with screw – picture 2 | | | | | | | | | |
| 50 | M8 | 32 | 13.5 | 23.6 | 41.6 | 10.7 | 4 | 75 | 24711.0311 |

Application example



Compliance

RoHS compliant

Contains lead - compliant according to exceptions 6a / 6b / 6c

Contains SVHC substances >0,1% w/w

Contains lead - SVHC list [REACH] as of 10.06.2022

Contains Proposition 65 substances



Lead can cause cancer and reproductive harm from exposure
<https://www.P65Warnings.ca.gov/>

Free from Conflict Minerals

This product does not contain any substances designated as "conflict minerals" such as tantalum, tin, gold or tungsten from the Democratic Republic of Congo or adjacent countries.