

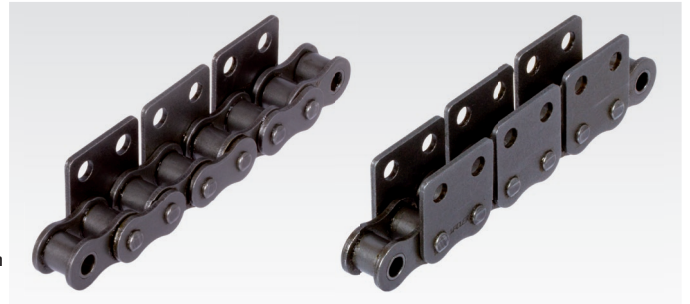
Roller Chains with Straight Attachments DIN ISO 606 (formerly DIN 8187-2), M2, 2 x p

Material: Special chain steels.

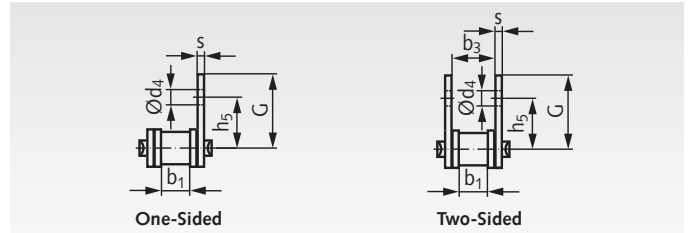
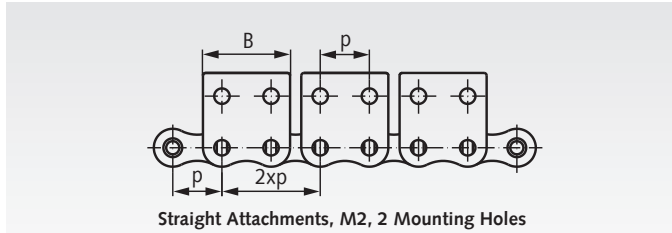
Attachment distance 2 x p
(attachment at every outer link),
either one-sided or two-sided.

Other attachment distances can be supplied at short notice.
Different attachment sizes and special chains on request.
Connecting links M2 have to be ordered separately (see below).

Ordering Details, e.g., Product No. 101 000 51, Wide Straight Attachments-Roller Chain
06 B-1-M2, One-Sided on the Outer Link, Distance 2 x p



M2 = Wide Version, 2 Mounting Holes

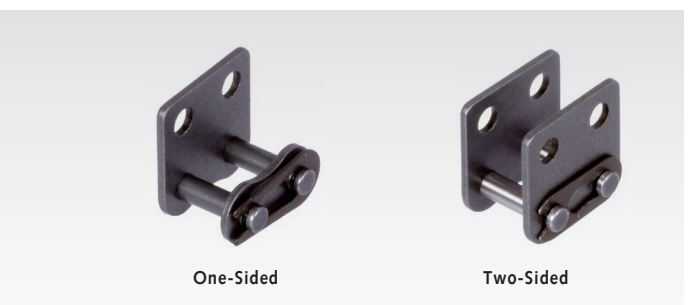
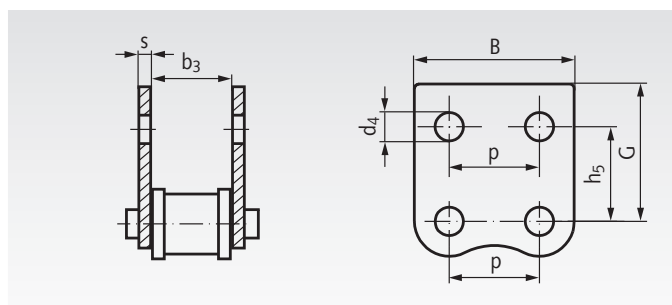


DIN ISO No.	Product No. One-Sided 2 x p	Product No. Two-Sided 2 x p	Pitch x Inner Width p x b ₁ inch	Pitch p mm	Inner Width b ₁ min. mm	h ₅ mm	G* mm	d ₄ mm	B* mm	s min* mm	b ₃ min. mm	Weight*	
												1-Sided kg/m	2-Sided kg/m
06 B-1**	101 000 51	101 000 52	3/8 x 7/32"	9,525	5,72	9,5	13,5	3,5	17,7	1,2	8,66	0,51	0,61
08 B-1	105 000 51	105 000 52	1/2 x 5/16"	12,7	7,75	13,0	17,9	4,5	23,2	1,6	11,43	0,84	0,99
10 B-1	106 000 51	106 000 52	5/8 x 3/8"	15,875	9,65	16,5	21,9	5,5	29,5	1,7	13,41	1,13	1,32
12 B-1	107 000 51	107 000 52	3/4 x 7/16"	19,05	11,68	21,0	26,6	6,6	33,8	1,8	15,75	1,43	1,70
16 B-1	108 000 51	108 000 52	1" x 17,02mm	25,4	17,02	23,0	31,8	6,6	46,2	2,8	25,58	3,24	3,76

* The marked dimensions are not listed in the DIN and may vary a little.
Attachments with dimensions according to company standard are still available on request.
** This size is not listed in the DIN.

Attention please: Packing Unit 5m
If special lengths are needed, please tell us the
length and the number of links (uneven number!).
Connecting links have to be ordered separately.

Connecting Links M2 with Spring Clip, with Wide Straight Attachments DIN ISO 606 (formerly DIN 8187-2)



Material: Special chain steels.

Ordering Details, e.g., Product No. 101 003 51, Connecting Link M2, one-sided

M2 = Wide Version, 2 Mounting Holes

DIN ISO	Product No. One-Sided	Product No. Two-Sided	p mm	h ₅ mm	G* mm	d ₄ mm	B* mm	s min.* mm	b ₃ min. mm	Weight* 1-Sided g	Weight* 2-Sided g
06 B-1**	101 003 51	101 003 52	9,525	9,5	13,5	3,5	17,7	1,2	8,66	5,6	6,9
08 B-1	105 003 51	105 003 52	12,7	13,0	17,9	4,5	23,2	1,6	11,43	11	18
10 B-1	106 003 51	106 003 52	15,875	16,5	21,9	5,5	29,5	1,7	13,41	21	30
12 B-1	107 003 51	107 003 52	19,05	21,0	26,6	6,6	33,8	1,8	15,75	30	40
16 B-1	108 003 51	108 003 52	25,4	23,0	31,8	6,6	46,2	2,8	25,58	89	117

* The marked dimensions are not listed in the DIN and may vary a little.
** This size is not listed in the DIN.