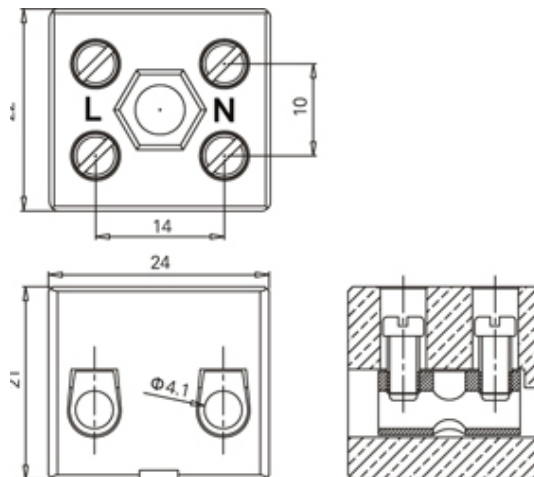


DESTB-0402

2 Pole steatite ceramic high temperature blocks terminal 41a 750v



SPECIFICATION

Number of Poles	2
Body Material	Steatite
Colour	White
Min Conductor Size (Sq mm)	1.5
Max Conductor Size (Sq mm)	10
Min Conductor Size AWG	20
Max Conductor Size AWG	10
Max Current (A)	41
Max Voltage (V)	750
Minimum Temp Rating °C	-40
Max Temp Rating °C	300-350
Pitch (mm)	14
Height (mm)	21
Width (mm)	22
Length (mm)	24
Comments	M3.5 conductor clamping screws, maximum torque=0.8Nm