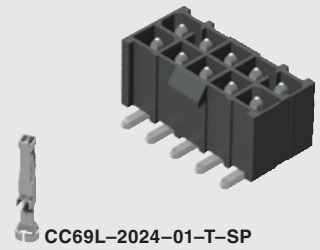




IPBD-02-D-K

IPBD-05-S-K

IPBT-105-H2-T-D-K



CC69L-2024-01-T-SP

(4,19 mm) .165"

IPBD, CC69, IPBT SERIES

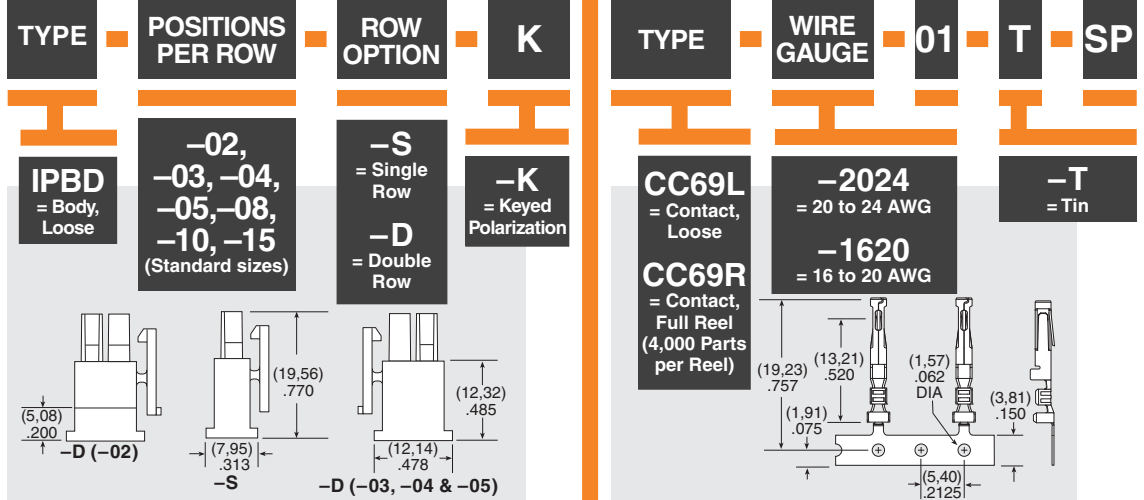
# DISCRETE WIRE CABLE COMPONENTS

## SPECIFICATIONS

For complete specifications  
www.samtec.com?IPBD  
or www.samtec.com?CC69

## TOOLING

- Hand tool (16-20 AWG):  
CAT-HT-169-1620-11
- Hand tool (20-24 AWG):  
CAT-HT-169-2024-11
- Mini Applicator  
(16-20 AWG):  
CAT-MA-169-1620-XX-01
- Mini Applicator  
(20-24 AWG):  
CAT-MA-169-2024-XX-01



Mates with:  
IPBS, IPBD, PMSD,  
PMSS

## SPECIFICATIONS

For complete specifications  
see www.samtec.com?IPBT

**Insulator Material:**  
Black Liquid Crystal  
Polymer

**Contact Material:**  
High Copper Alloy

**Plating:**  
Sn over 50µ" (1,27 µm) Ni

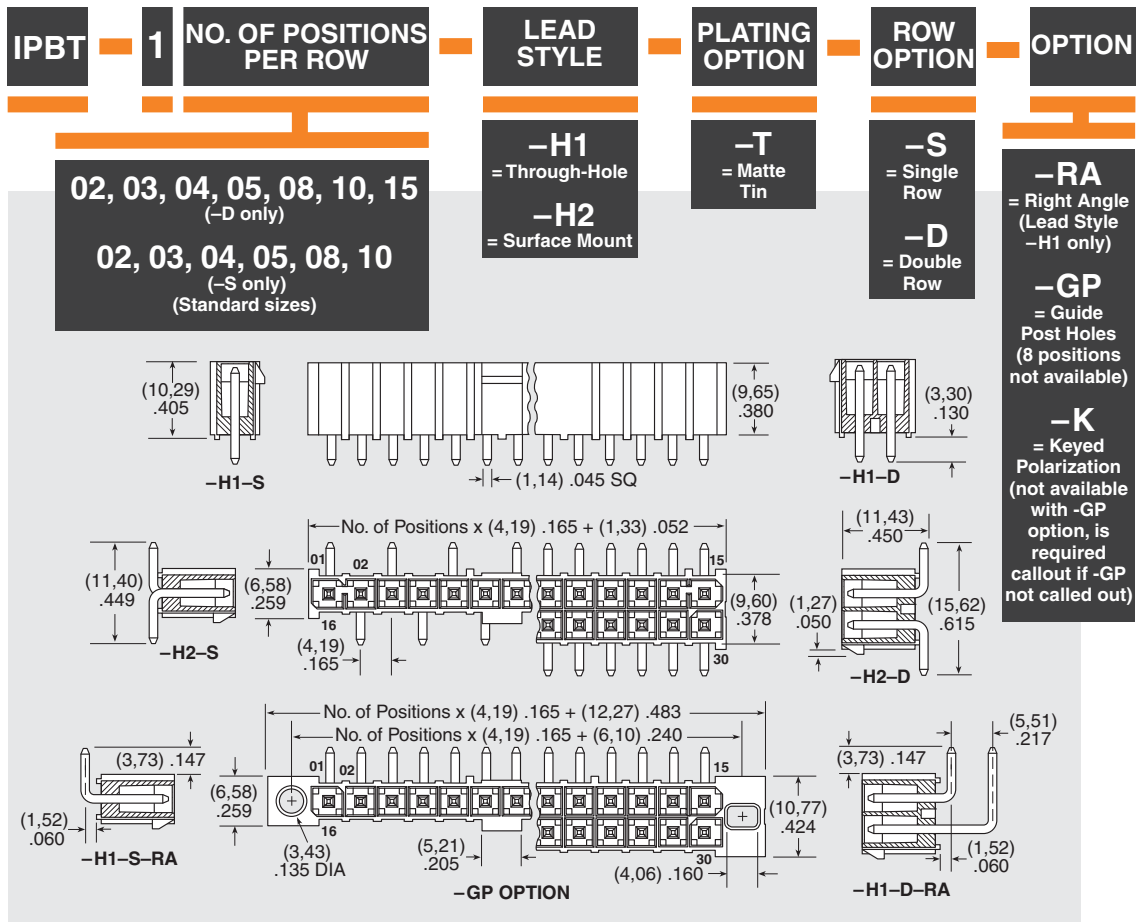
**Operating Temp Range:**  
-55°C to +105°C

**Voltage Rating:**  
400 VAC/565 VDC  
**RoHS Compliant:**  
Yes

**Lead-Free Solderable:**  
Yes

## RECOGNITIONS

For complete scope  
of recognitions see  
www.samtec.com/quality



**Note:** Some lengths, styles  
and options are non-standard,  
non-returnable.