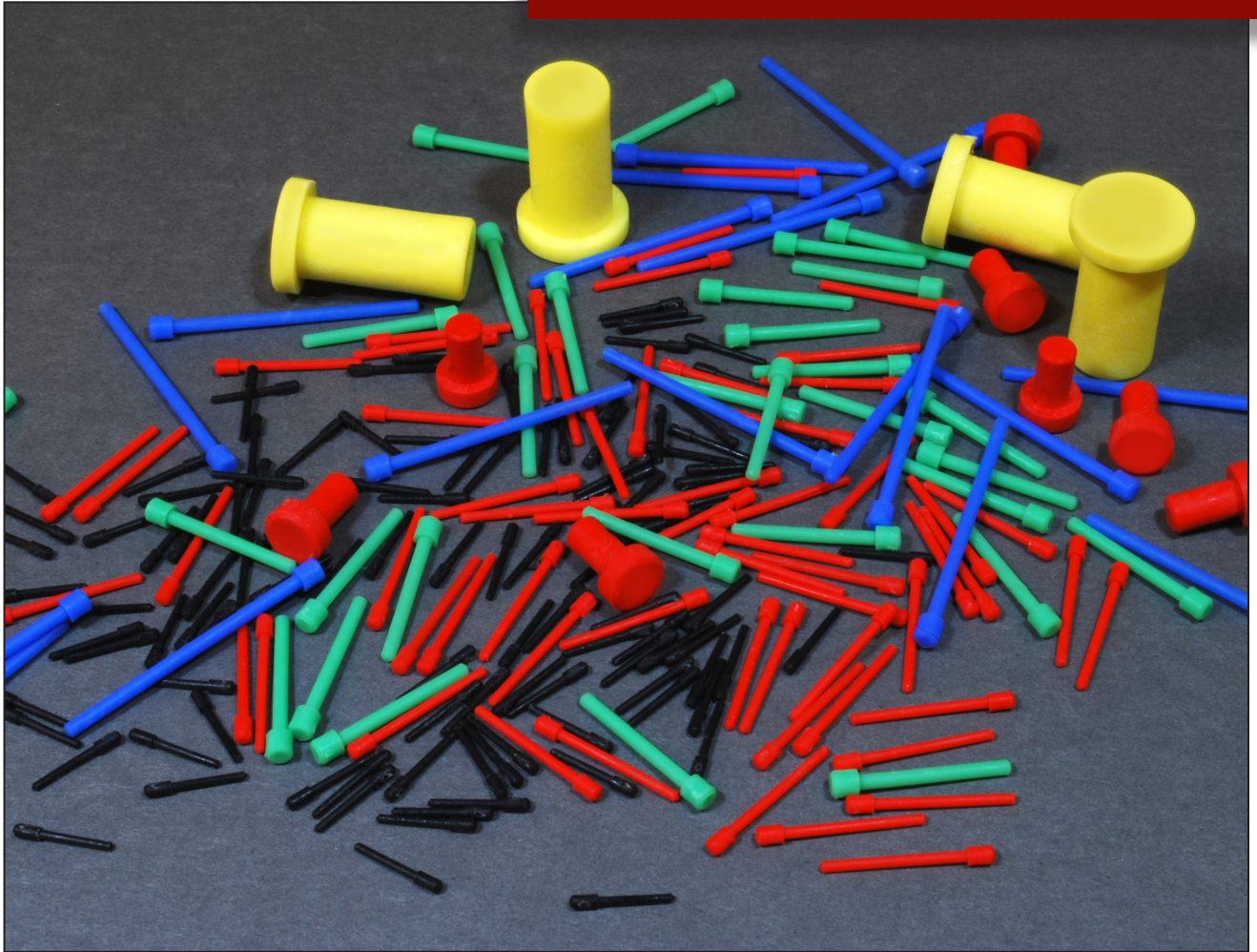


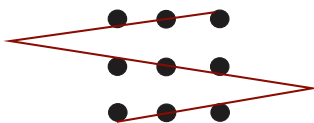
MS27488

SEALING PLUGS



Step'n Components specializes in the manufacturing and distribution of metal and composite components for the connector industry. We deliver precision components on time and to specification. The management team at Step'n Components has more than 50 years of innovation and engineering experience in the composite marketplace. Our experienced team delivers a high level of customer care to clients of all sizes.

Step'n Components' products are engineered to withstand demanding physical and environmental requirements. Our products offer exceptional performance in applications requiring mechanical endurance and they consistently achieve the goals of minimum weight, maximum durability and best value for our customers.

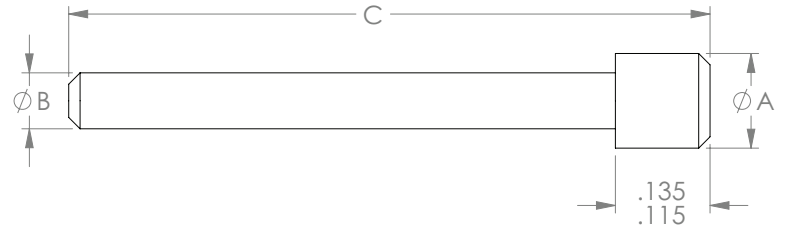


Step'n Components

17832 Gothard Street | Huntington Beach, CA 92647 | Phone: 714-362-3713
Fax: 714-362-3714 | Email: sales@stepnco.com | www.stepnco.com



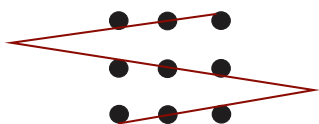
MS27488 SEALING PLUGS



Revision N	Color	A Dia. Min/Max	B Dia. Min/Max	C Dia. Min/Max
MS27488-22-2	Black	.058/.066	.038/.045	.438/.500
MS27488-20-2	Red	.080/.090	.048/.058	.755/.805
MS27488-16-3	Blue	.120/.130	.069/.079	1.422/1.472
MS27488-16-2	Green	.120/.130	.069/.079	.822/.872
MS27488-12-3	Yellow	.160/.170	.115/.125	1.391/1.441
MS27488-12-2	Orange	.160/.170	.115/.125	.791/.841
MS27488-8-3	Red	.305/.315	.165/.175	1.139/1.189
MS27488-4-3	Blue	.404/.414	.273/.283	1.139/1.189
MS27488-0-3	Yellow	.596/.606	.416/.431	1.021/1.071

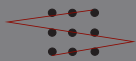
Revision M	Color	A Dia. Min/Max	B Dia. Min/Max	C Dia. Min/Max
MS27488-22-1	Black	.058/.066	.038/.045	.746/.796
MS27488-20-1	Red	.080/.090	.048/.058	.755/.805
MS27488-16-1	Blue	.120/.130	.069/.079	1.422/1.472
MS27488-12-1	Yellow	.160/.170	.115/.125	1.391/1.441
MS27488-8-1	Red	.305/.315	.165/.175	1.139/1.189
MS27488-4-1	Blue	.404/.414	.273/.283	1.139/1.189
MS27488-0-1	Yellow	.596/.606	.416/.431	1.021/1.071

Revision L	Color	A Dia. Min/Max	B Dia. Min/Max	C Dia. Min/Max
MS27488-22	Black	.058/.068	.035/.045	.438/.500
MS27488-20	Red	.085/.100	.045/.065	.544/.584
MS27488-16	Blue	.128/.138	.073/.093	.544/.584
MS27488-12	Yellow	.166/.176	.111/.131	.544/.584
MS27488-8	Red	.310/.320	.175/.195	.460/.480
MS27488-4	Blue	.410/.420	.300/.320	.460/.480
MS27488-0	Yellow	.600/.610	.430/.450	.990/1.010



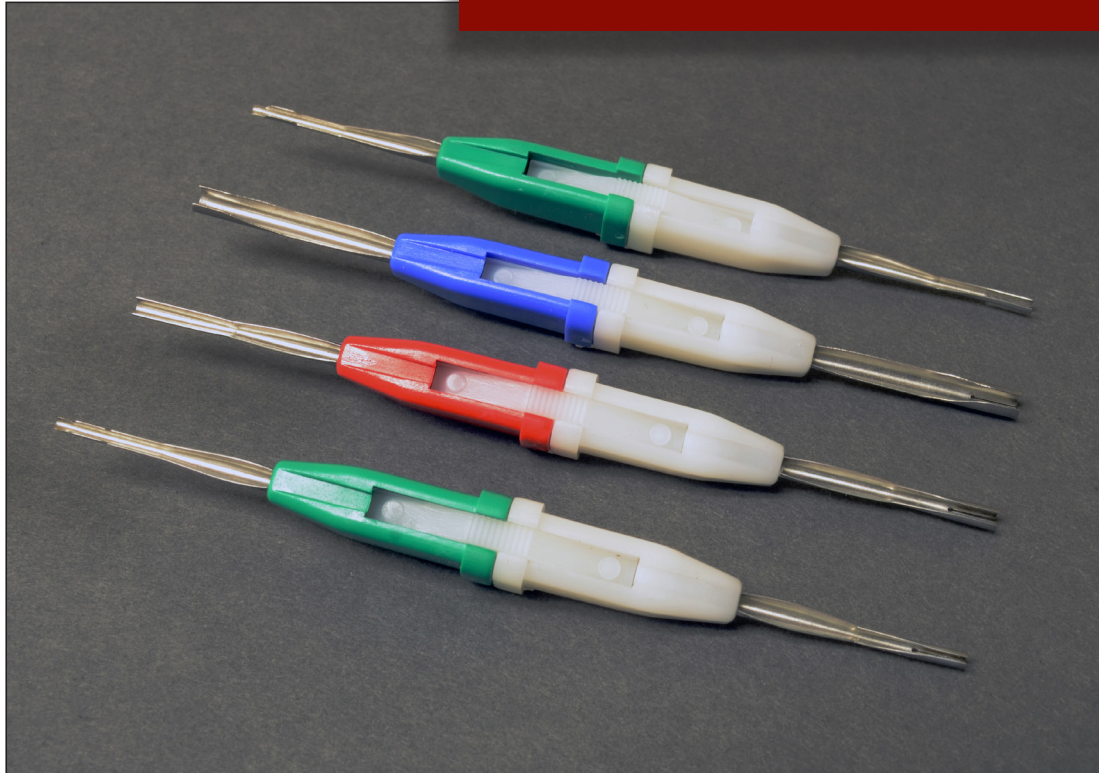
Step'n Components

17832 Gothard Street | Huntington Beach, CA 92647 | Phone: 714-362-3713
 Fax: 714-362-3714 | Email: sales@stepnco.com | www.stepnco.com



M81969/1

INSTALLING AND REMOVAL TOOLS



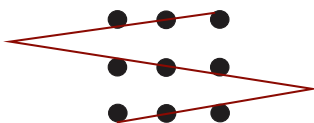
QPL APPROVED - 04344113.AA/11- 26-13

Part Number	Contact Size	Color Code	
		Installing Tip	Removal Tip
M81969/1- 01	22	GREEN	WHITE
M81969/1- 02	20	RED	WHITE
M81969/1- 03	16	BLUE	WHITE
M81969/1- 04	22D	GREEN	WHITE

Tools are used to install and remove contacts from MIL-DTL-24308, sizes 22D and 20 and AS81659 connectors, series 2 AS81969/1 supersedes MIL-I-81969/1 which superseded MS3156 (Navy) and MIL-C-24308/18

Step'n Components designs, manufactures and markets highly engineered products and systems principally for the aerospace and defense connector markets. Step'n Components has a long established role as a top supplier. We are known for design excellence and commitment to quality and reliability. Our products are used on thousands of aerospace, military, rail and high- end industrial applications worldwide in the most severe environments.

The M81969/1 is a plastic double-ended insertion & removal tool with metal tips designed for rear release connectors.

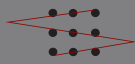


Step'n Components

17832 Gothard Street | Huntington Beach, CA 92647 | Phone: 714-362-3713
Fax: 714-362-3714 | Email: sales@stepnco.com | www.stepnco.com

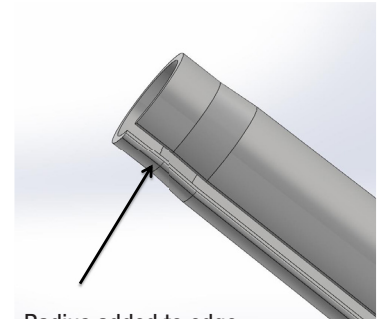


Made In The USA



M81969/14

INSTALLING AND REMOVAL TOOLS



Radius added to edge to prevent wires from being cut

QPL APPROVED - 04344113.AA/11- 26- 13

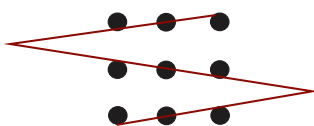
Part Number	Contact Size	Color Code	
		Installing Tip	Removal Tip
M81969/14-01 /1	22D, 22N	GREEN	WHITE
M81969/14-03 /1	16	BLUE	WHITE
M81969/14-04 /1	12	YELLOW	WHITE
M81969/14-06 /2	8	N/A	RED
M81969/14-07 /2	4	N/A	BLUE
M81969/14-08 /2	0	N/A	YELLOW
M81969/14-10 /1	20	RED	ORANGE
M81969/14-11 /2	20	RED	WHITE
M81969/14-12 /1	8	N/A	GREEN

/1 MIL-DTL-55302/68, /69, MIL-DTL-38999, MIL-DTL-24308 (SIZE 22D), MIL-DTL-83733 (SIZE 22D), AS81714 (SIZE 22D)

/2 MIL-DTL-26482 SERIES II, AS81703 SERIES III, MIL-DTL-83733 (EXCEPT 22D), MIL-DTL-83723 SERIES II & III, AS50151, AS81714 (EXCEPT 22D)

Step'n Components designs, manufactures and markets highly engineered products and systems principally for the aerospace and defense connector markets. Step'n Components has a long established role as a top supplier. We are known for design excellence and commitment to quality and reliability. Our products are used on thousands of aerospace, military, rail and high-end industrial applications worldwide in the most severe environments.

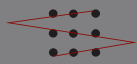
The M81969/14 is an all plastic insertion & removal tool designed for rear release connectors.



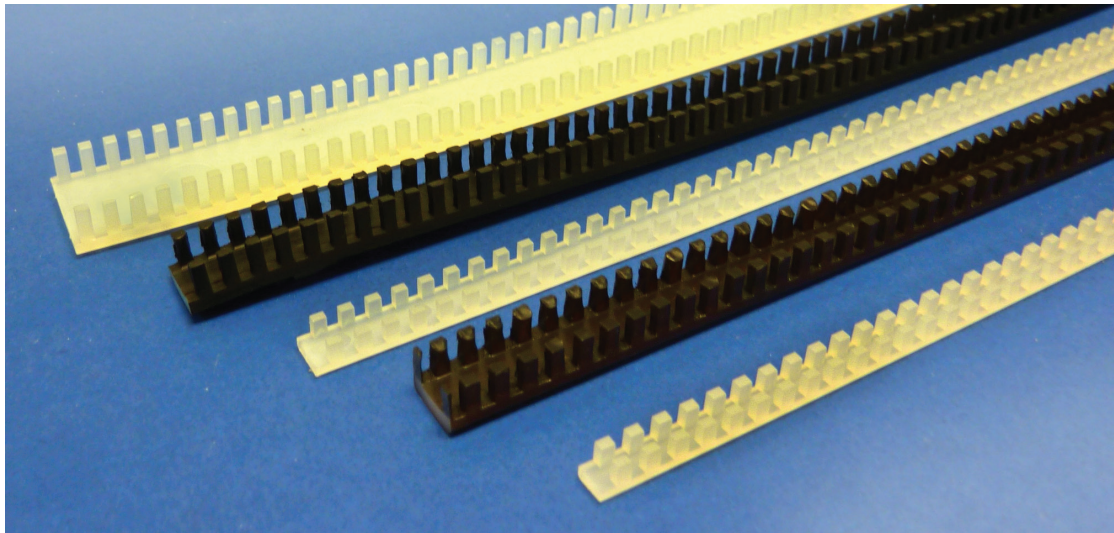
Step'n Components

17832 Gothard Street | Huntington Beach, CA 92647 | Phone: 714-362-3713
Fax: 714-362-3714 | Email: sales@stepnco.com | www.stepnco.com





**Short Lead Time
on Cut Sizes!**



PART NUMBER				SHEET THICKNESS RANGE
NASM	BOEING		STEPNCO	
MS21266-1(*)	BACG20Z-A	BACG20Z-M	STC 21266-1(*)	.015 - .052
MS21266-2(*)	BACG20Z-B	BACG20Z-N	STC 21266-2(*)	.052 - .085
MS21266-3(*)	BACG20Z-C	BACG20Z-P	STC 21266-3(*)	.085 - .128
MS21266-4(*)	BACG20Z-D	BACG20Z-Q	STC 21266-4(*)	.128 - .192
MS21266-5(*)	BACG20Z-E	BACG20Z-R	STC 21266-5(*)	.192 - .255
MS21266-6(*)	BACG20Z-F	BACG20Z-S	STC 21266-6(*)	.255 - .318
MS21266-7(*)	BACG20Z-G	BACG20Z-T	STC 21266-7(*)	.318 - .380
MS21266-8(*)	BACG20Z-H	BACG20Z-U	STC 21266-8(*)	.380 - .510

Materials (*):

- (N) Nylon 6/6 per ASTM D4066
- (T) PTFE (Teflon) per AMS 3652 and ASTM D4895
- (F) FEP per ASTM D2116

Boeing

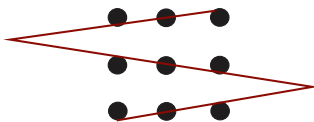
- A - H Nylon
- M - U Teflon

Length:

- Nylon – 12.75"
- Teflon - 12.75" (NASM), 19.00" (Boeing)
- FEP – 12.75"
- Bulk coils and custom cut lengths

AS9100 Rev C Certified

Teflon parts available with or without etch on Boeing and Stepnco part numbers



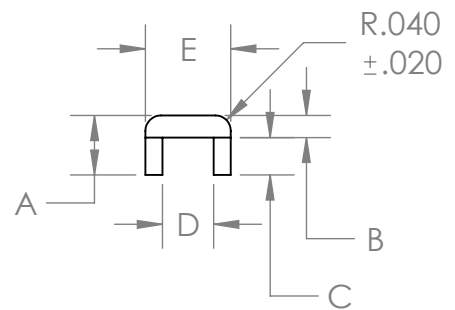
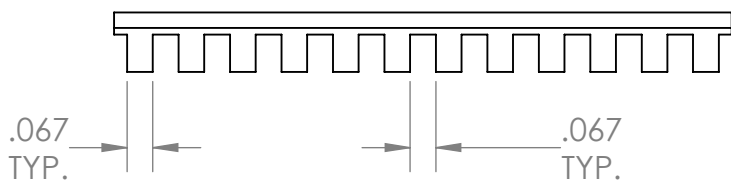
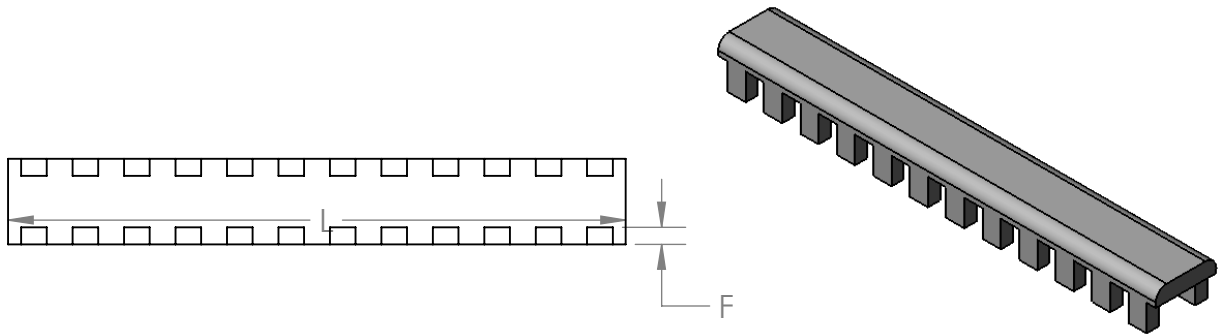


TABLE 1

<i>PART NUMBER</i>	<i>A</i> ±.010	<i>B</i> ±.010	<i>C</i> ±.0075	<i>D</i> ±.0075	<i>E</i> ±.0075	<i>F</i> ±.010	<i>FOR MATERIAL THICKNESS</i>
-1	.155	.060	.1025	.0585	.1525	.047	.015-.052
-2				.0925	.1775		.052-.085
-3				.1335	.2225		.085-.128
-4	.230	.075	.1625	.1975	.3275	.065	.128-.192
-5	.240		.1725	.2625	.3875		.192-.255
-6	.255	.080	.1825	.3225	.4475	.062	.255-.318
-7				.3925	.5175		.318-.380
-8				.5175	.6425		.380-.510

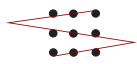
NOTES:

- STANDARD LENGTH:**
MS21266/STC 21266
NYLON 12.750" + .000 / - .130
TEFLON 12.750" +/- .030
BAGC20Z
NYLON 12.750" + .000 / - .130
TEFLON 19.000" +/- .030
- CUT LENGTHS < 3.000" ± .015**
CUT LENGTHS > 3.000" ± .030
- MATERIAL:**
N - NYLON 6/6 PER ASTM D4066
OR ASTM D6779
T - PTFE PER AMS3656 OR AMS 3660
TE - PTFE WITH ETCHING
F - FEP per ASTM D2116
- TEMPERATURE:**
H - APPLICATIONS UP TO 275°F
T/TE - APPLICATIONS UP TO 500°F

SAMPLE STC PART NUMBER:

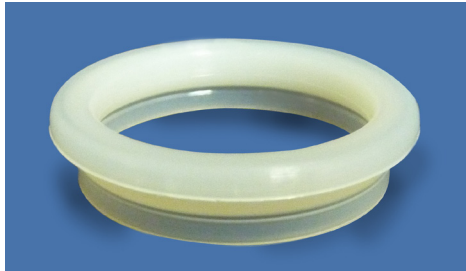
STC 21266 - 1 N L

EX. 000825 = 8.25" (FOR CUSTOM LENGTHS) OMIT FOR STD LENGTH
MATERIAL
SIZE FROM TABLE 1
BASIC PART NUMBER



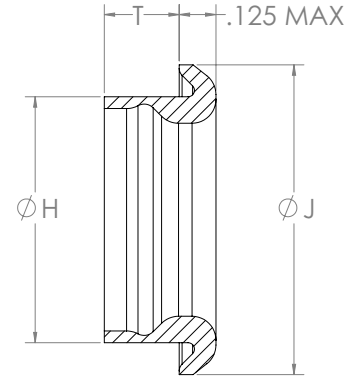
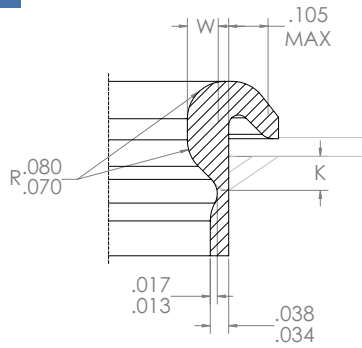
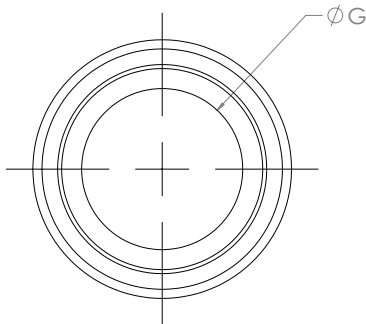
NAS 1368

FLIP GROMMET



Material:
Nylon 6/6 PER L-P-410
Self-extinguishing without fillers

Color:
Natural



Dash Number	G Dia. Nom.	Structure Hole Dia (Ref) +.010 / -.005	W ±.003	H Dia.		J Dia. ±.005	K Approx.	T Length ±.005								Nom. Wt. # / 1000			
				Min	Max			Length Code											
								A	B	C	D	F	H	K	L				
3	.188	.313	.058	.302	.308	.505	.100										1.1		
4	.250	.375		.364	.370	.567												1.3	
6	.375	.500		.489	.495	.692												1.8	
8	.500	.625		.610	.620	.815		.235	.295	.360	.420	---	---	---	---			2.2	
10	.625	.781	.083	.766	.776	.971												3.0	
12	.750	.906		.891	.901	1.096												3.6	
14	.875	1.031		1.016	1.026	1.221												4.3	
16	1.000	1.188		.104	1.173	1.183		1.378											5.7
18	1.125	1.313			1.298	1.308		1.503	.275	.335	.400	.460	---	---	---	---			6.4
20	1.250	1.438			1.423	1.433		1.628											7.2
22	1.375	1.563	1.538		1.558	1.748											7.7		
24	1.500	1.688	1.663		1.683	1.873	---	---	---	---	.275	.335	.400	.460			8.3		
28	1.750	1.938	1.913		1.933	2.123											9.7		
32	2.000	2.188	2.163		2.183	2.373											10.7		

Nominal Structure Thickness (Ref.)							
-3 To -18				-20 To -32			
A	B	C	D	F	H	K	L
.025 TO .080	.081 TO .140	.141 TO .200	.201 TO .250	.025 TO .040	.041 TO .091	.092 TO .160	.161 TO .220

