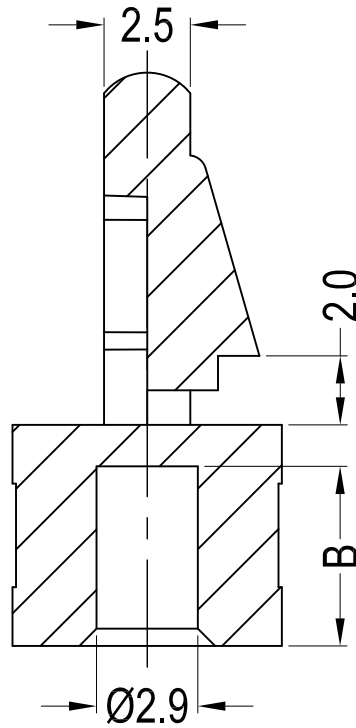
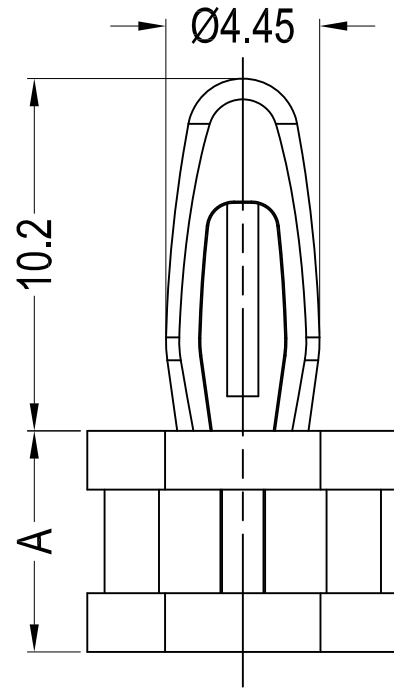
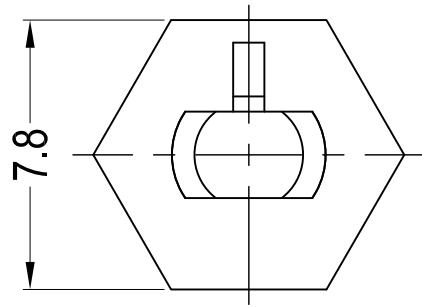


DO NOT SCALE DRAWING



REVISIONS				
ZONE	REV.	DESCRIPTION	DATE	APPROVED
	A	DRAWN	08-08-2013	

Part No.	A	B
TRTCBS-4-01	6.4	5.2
TRTCBS-6-01	9.5	7.9
TRTCBS-8-01	12.7	
TRTCBS-10-01	15.9	
TRTCBS-12-01	19.1	
TRTCBS-14-01	22.2	
TRTCBS-16-01	25.4	
TRTCBS-18-01	28.6	
TRTCBS-20-01	31.7	
TRTCBS-22.5-01	35.7	

Notes:  
 1.RoHS Compliant;  
 2.Hole:Ø4.0±0.08mm;  
 Panel Thickness:1.57mm;



DESIGN RIGHT. TR FASTENINGS LTD. 2003  
 UNDER NO CIRCUMSTANCES MUST THIS  
 DRAWING BE COPIED OR DISCLOSED.  
 WITHOUT FIRST OBTAINING WRITTEN  
 AUTHORITY.

UNLESS OTHERWISE SPECIFIED:  
 DIMENSIONS ARE IN MILLIMETERS.  
 SURFACE FINISH:  
 TOLERANCES:  
 L≤4 = ±0.1 4<L≤15 = ±0.2  
 15<L≤50 = ±0.3 50<L≤100 = ±0.4

NAME	DATE
DRAWN MARTIN ELLIOTT	08/08/2013
CHK'D	
APP'D	

MATERIAL  
 PA66 UL94 V2

HEAT TREATMENT  
 N/A

FINISH  
 NATURAL

TITLE  
 SELF-TAPPING CIRCUIT  
 BOARD SUPPORT

CUSTOMER PART NO.

DWG NO.  
 TRTCBS-XX-01

A3