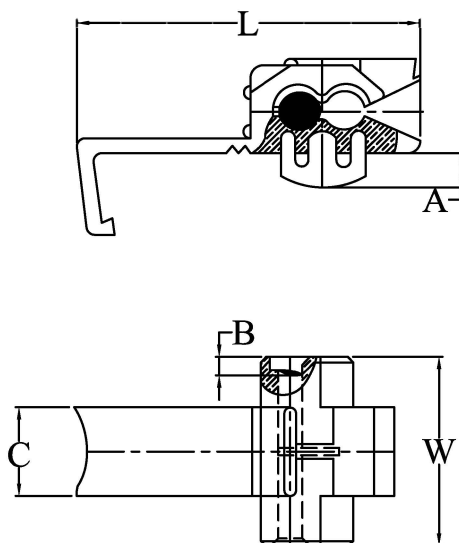




Specification

| | |
|---------------------|---------------|
| Terminal Material | Brass |
| Insulation Material | Polypropylene |
| Max Temperature | 105 °C |
| Max Voltage | 300 V |
| Max Current | 15 A |
| Wire Range | 16-14 AWG |

Drawing



| | |
|---|----------|
| A | 4 mm |
| B | 2.50 mm |
| C | 10.60 mm |
| W | 19.70 mm |
| L | 31.50 mm |

Art. Nr.
RND 465-01383