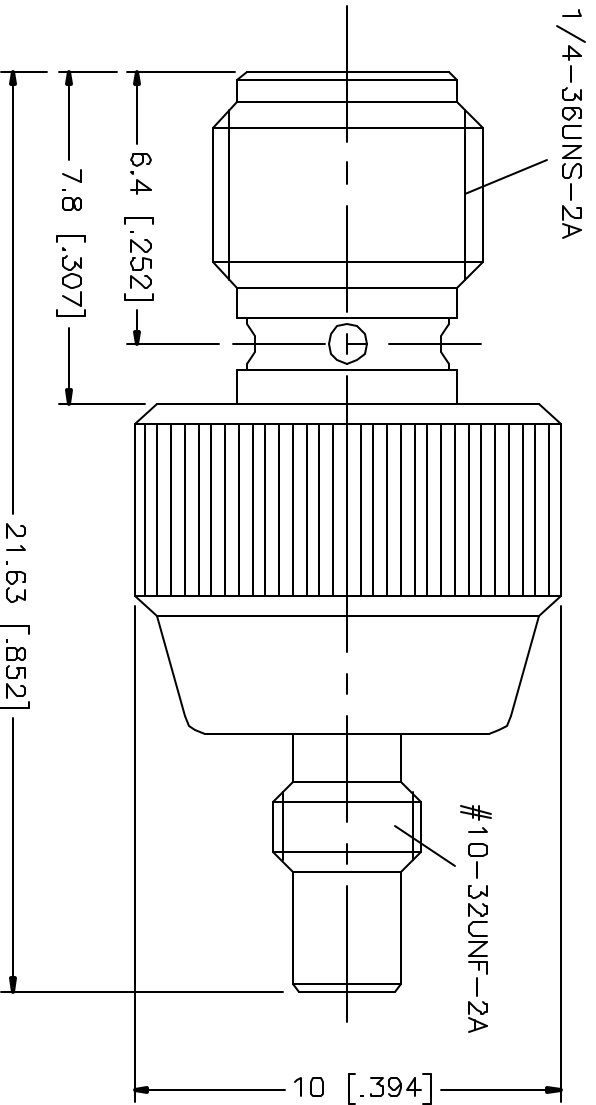


REV.	DATE	DESCRIPTION
NC	10/31/01	INITIAL RELEASE



8				UNLESS OTHERWISE SPECIFIED DIMENSIONS ARE IN MILLIMETERS	APPROVALS	DATE	TITLE	SIZE	FSM NO	DWG NO	REV.
7				DIMENSIONS IN [] ARE IN INCHES FOR CUSTOMER REFERENCE ONLY	DRAWN	10/31/01	SMA JACK TO SMC JACK ADAPTOR	A	99001	242176.DWG	NC
6				UNLESS OTHERWISE SPECIFIED TOLERANCES FOR MILLIMETERS ARE	CHECKED			Connector Corporation			
5				0.5-6 = ± 0.2	ISSUED						
4				6-30 = ± 0.4							
3	CONTACT PIN	BER COPPER	GOLD	30-120 = ± 0.6							
2	INSULATOR	TEFLON	NATURAL	120-315 = ± 1							
1	BODY	BRASS	GOLD	315-1000 = ± 1.6							
	DESCRIPTION	MATERIAL	FINISH	1000-2000 = ± 2.4	DO NOT SCALE DRAWING						