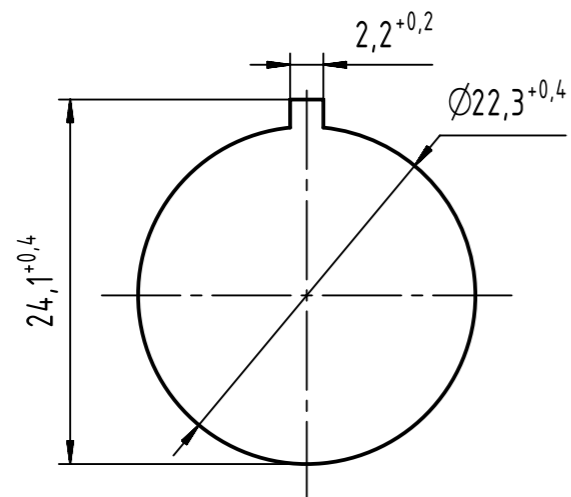
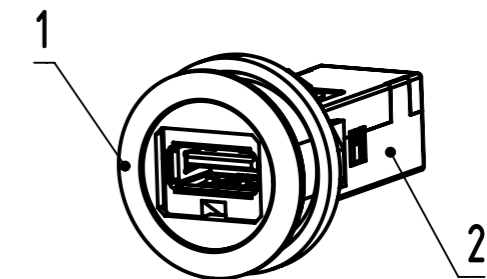
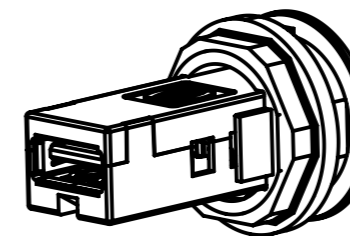


PANEL CUT DIMENSIONS



loading-plan

- V Bus 1 — 1
- D- 2 — 2
- D+ 3 — 3
- GND 4 — 4
- StdA_SSRX- 5 — 5
- StdA_SSRX+ 6 — 6
- GND_DRAIN 7 — 7
- StdA_SSTX- 8 — 8
- StdA_SSTX+ 9 — 9
- Shield Shell — Shell



	All rights reserved Department EC PD - RO	All Dimensions in mm Original Size DIN A3		Scale 2:1	Free size tol.	Ref. Sub.
		Created by TAMAS	Inspected by AVRAM	Standardisation HOFFMANN	Date 2016-11-25	State Final Release
HARTING Electronics GmbH D-32339 Espelkamp		Title har-port USB 3.0 A-A PFT black			Doc-Key / ECM-Nr. 100205294/UGD/012/D 500000111080	
		Type TB	Number 09454521904		Rev. D	Page 1/1