

172344-1 ✓ ACTIVE

MATE-N-LOK | Mini-Universal MATE-N-LOK

TE Internal #: 172344-1

Mini-Universal MATE-N-LOK, Rectangular Power Connectors, Housing, Receptacle, Wire-to-Wire, 3 Position, 4.2mm [.165in] Centerline, Wire & Cable

[View on TE.com >](#)



Connectors > Power Connectors > Rectangular Power > Rectangular Power Connectors



Rectangular Power Connector Type: **Housing**

Connector & Housing Type: **Receptacle**

Connector System: **Wire-to-Wire**

Number of Positions: **3**

Centerline (Pitch): **4.2 mm [ .165 in ]**

## Features

### Product Type Features

Rectangular Power Connector Type	Housing
Connector & Housing Type	Receptacle
Connector System	Wire-to-Wire
Sealable	No
Connector & Contact Terminates To	Wire & Cable

### Configuration Features

Number of Positions	3
Number of Rows	1

### Electrical Characteristics

Operating Voltage	600 VDC
-------------------	---------

### Contact Features

Contact Layout	Inline
Multiple Contact Types	Without
Contact Retention Within Housing	Without



Contact Type	Pin
--------------	-----

### Termination Features

Termination Method to Wire & Cable	Crimp
------------------------------------	-------

### Mechanical Attachment

Panel Mount Feature	Without
---------------------	---------

Connector Mounting Type	Cable Mount (Free-Hanging)
-------------------------	----------------------------

### Housing Features

Centerline (Pitch)	4.2 mm [.165 in]
--------------------	------------------

Housing Color	Natural
---------------	---------

Housing Material	Nylon 6/6
------------------	-----------

### Dimensions

Width	16.6 mm
-------	---------

Height	6.6 mm
--------	--------

Length	23.7 mm
--------	---------

### Usage Conditions

Operating Temperature Range	-20 – 105 °C [-4 – 221 °F]
-----------------------------	----------------------------

Insertion Force	3.3 kg
-----------------	--------

### Operation/Application

Assembly Integration Feature	Without
------------------------------	---------

Circuit Application	Power & Signal
---------------------	----------------

### Industry Standards

CSA Rating	Certified
------------	-----------

UL Flammability Rating	UL 94V-2
------------------------	----------

Glow Wire Rating	Standard Part - Not Glow Wire
------------------	-------------------------------

Agency/Standard Number	E28476
------------------------	--------

Agency/Standard	CSA, UL
-----------------	---------

UL Rating	Recognized
-----------	------------

CSA File Number	LR7189
-----------------	--------

VDE Tested	No
------------	----

### Packaging Features

Packaging Method	Bag
------------------	-----



Packaging Quantity 500

**Other**

For Use With Mini-Universal MATE-N-LOK Plug Housing

**Product Compliance**

[For compliance documentation, visit the product page on TE.com>](#)

EU RoHS Directive 2011/65/EU	Compliant
EU ELV Directive 2000/53/EC	Compliant
China RoHS 2 Directive MIIT Order No 32, 2016	No Restricted Materials Above Threshold
EU REACH Regulation (EC) No. 1907/2006	Current ECHA Candidate List: JAN 2021 (211) Candidate List Declared Against: JAN 2021 (211) Does not contain REACH SVHC
Halogen Content	Low Halogen - Br, Cl, F, I < 900 ppm per homogenous material. Also BFR/CFR/PVC Free
Solder Process Capability	Not applicable for solder process capability

**Product Compliance Disclaimer**

This information is provided based on reasonable inquiry of our suppliers and represents our current actual knowledge based on the information they provided. This information is subject to change. The part numbers that TE has identified as EU RoHS compliant have a maximum concentration of 0.1% by weight in homogenous materials for lead, hexavalent chromium, mercury, PBB, PBDE, DBP, BBP, DEHP, DIBP, and 0.01% for cadmium, or qualify for an exemption to these limits as defined in the Annexes of Directive 2011/65/EU (RoHS2). Finished electrical and electronic equipment products will be CE marked as required by Directive 2011/65/EU. Components may not be CE marked. Additionally, the part numbers that TE has identified as EU ELV compliant have a maximum concentration of 0.1% by weight in homogenous materials for lead, hexavalent chromium, and mercury, and 0.01% for cadmium, or qualify for an exemption to these limits as defined in the Annexes of Directive 2000/53/EC (ELV). Regarding the REACH Regulation, the information TE provides on SVHC in articles for this part number is based on the latest European Chemicals Agency (ECHA) 'Guidance on requirements for substances in articles' posted at this URL: <https://echa.europa.eu/guidance-documents/guidance-on-reach>

**Compatible Parts**

 <p>TE Part # 1-770988-1 MINI UMNL SOK 22-18AWG LP LF</p>	 <p>TE Part # 1-770987-0 MINI UMNL PIN 22-18 AWG AU LP</p>	 <p>TE Part # 770988-3 MINI UMNL SOK 22-18AWG AU LP</p>	 <p>TE Part # 1-770988-0 MINI UMNL SOK 22-18AWG AU</p>
--	---	--	---




TE Part # 1-794059-0  
MINI UMNL PIN L/P LF



TE Part # 770988-1  
MINI UMNL SOK 22-18AWG SN LP



TE Part # 794058-1  
MINI UMNL SOK L/P



TE Part # 170365-3  
MINI UNIVERSAL M-N-L SOCKET LP



TE Part # 170364-3  
MINI UNIVERSAL M-N-L PIN LP



TE Part # 770985-1  
MINI UMNL PIN 26-22AWG SN LP



TE Part # 1-794407-1  
MINI UMNL SOK 20-16 AWG AU LF



TE Part # 172337-1  
MINI UMNL PLUG HOUSING 3P



TE Part # 170363-3  
MINI UNIVERSAL M-N-L PIN LP



TE Part # 171638-1  
MINI U-M-N-L PIN CONT. LP



TE Part # 171639-1  
MINI U-M-N-L SOCKET LP



TE Part # 770903-3  
MINI UMNL PIN 22-18 AWG AU



TE Part # 170366-3  
MINI UNIVERSAL M-N-L SOCKET LP



TE Part # 794059-1  
MINI UMNL PIN L/P




TE Part # 170364-1  
MINI UNIVERSAL M-N-L PIN LP




TE Part # 1-770902-1  
MINI UMNL SOK 26-22 AWG AU LF


Also in the Series | Mini-Universal MATE-N-LOK



Connector Contacts(11)



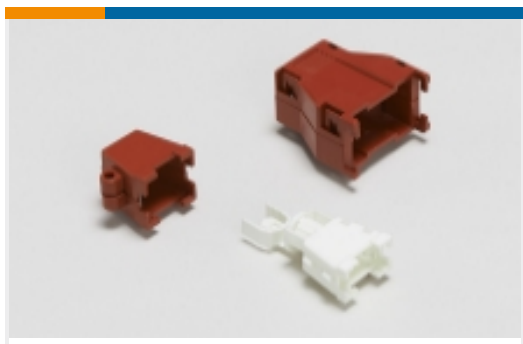
Insertion & Extraction Tools(1)



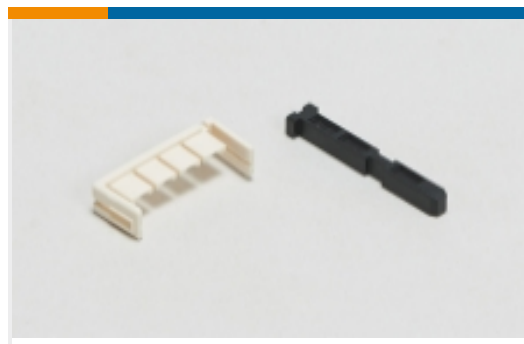
Power Contacts(85)



Rectangular Backshells & Clamps(2)



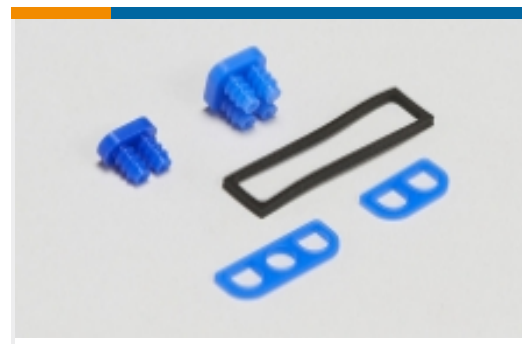
Rectangular Boots & Strain Relief(2)



Rectangular Connector Keying Plugs(2)



Rectangular Connector Locking(1)



Rectangular Connector Seals(18)



Rectangular Power Connectors(285)



Wire-to-Board Headers & Receptacles (1)

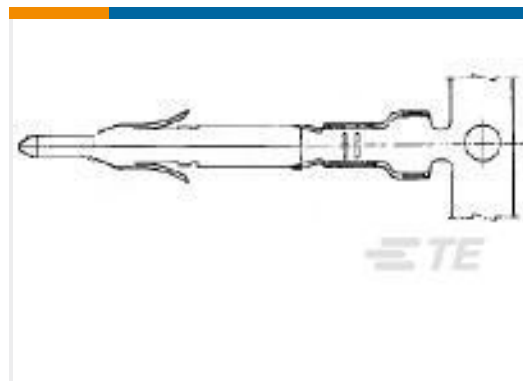
## Customers Also Bought



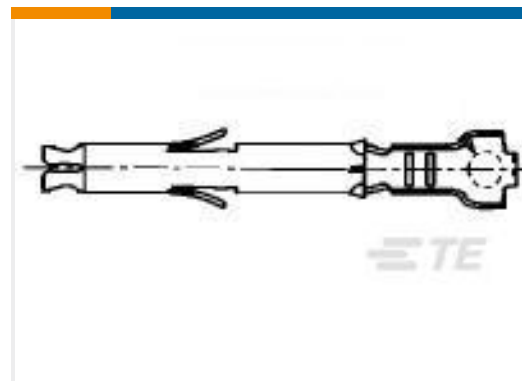
TE Part #1-640251-3  
3.96mm Wire-to-board housing:  
receptacle, no mating alignment, SL  
156



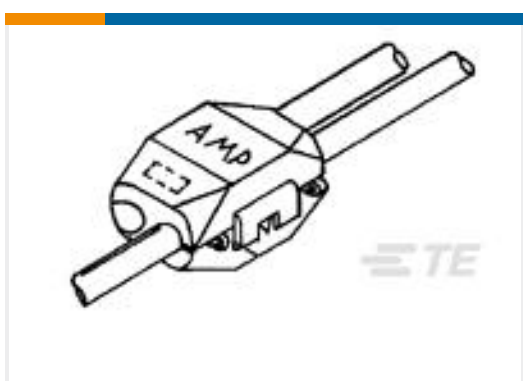
TE Part #1-175195-5  
DYNAMIC 3000 CONTACT



TE Part #170363-3  
MINI UNIVERSAL M-N-L PIN LP



TE Part #170366-3  
MINI UNIVERSAL M-N-L SOCKET LP



TE Part #171404-1  
ELECTRO TAP 14-16



TE Part #172211-6  
EIS CAP HSG FREE HANG 6P  
NATUTURAL



TE Part #170120-1  
MATE-N-LOK SOCKET 2



TE Part #1-1903131-2  
DYNAMIC 1200 REC AND TAB HSG



TE Part #1-170823-5  
250 FASTON SLEEVE, REC.,  
TRANSPARENT



TE Part #NB19352001  
RNF-100-1/8-WH-STK

## Documents



## Product Drawings

### MINI UNIVERSAL MATE-N-LOK CAP HOUSING 3P

English

## CAD Files

### 3D PDF

3D

### 3D PDF

English

### Customer View Model

[ENG\\_CVM\\_172344-1\\_A1.3d\\_igs.zip](#)

English

### Customer View Model

[ENG\\_CVM\\_172344-1\\_A1.3d\\_stp.zip](#)

English

### Customer View Model

[ENG\\_CVM\\_172344-1\\_A1.2d\\_dxf.zip](#)

English

### Customer View Model

[ENG\\_CVM\\_CVM\\_172344-1\\_F.2d\\_dxf.zip](#)

English

### Customer View Model

[ENG\\_CVM\\_CVM\\_172344-1\\_F.3d\\_igs.zip](#)

English

### Customer View Model

[ENG\\_CVM\\_CVM\\_172344-1\\_F.3d\\_stp.zip](#)

English

By downloading the CAD file I accept and agree to the [Terms and Conditions](#) of use.

## Datasheets & Catalog Pages

### SOFT\_SHELL\_PIN\_AND\_SOCKET\_CONNECTORS\_CATALOG

English

[1-1773458-0\\_MINI\\_UNIVERSAL\\_MATE\\_N\\_LOK\\_CONNECTOR\\_SYSTEM\\_QRG](#)

English

## Product Specifications

### Application Specification

English

## Product Environmental Compliance

[MD\\_172344-1\\_0606201885\\_dmtec](#)

English

[MD\\_172344-1\\_0606201885\\_dmtec](#)

English

## Instruction Sheets



[Instruction Sheet \(U.S.\)](#)

English

[Instruction Sheet \(U.S.\)](#)

English

---

[Agency Approvals](#)

[Agency Approval Document](#)

English