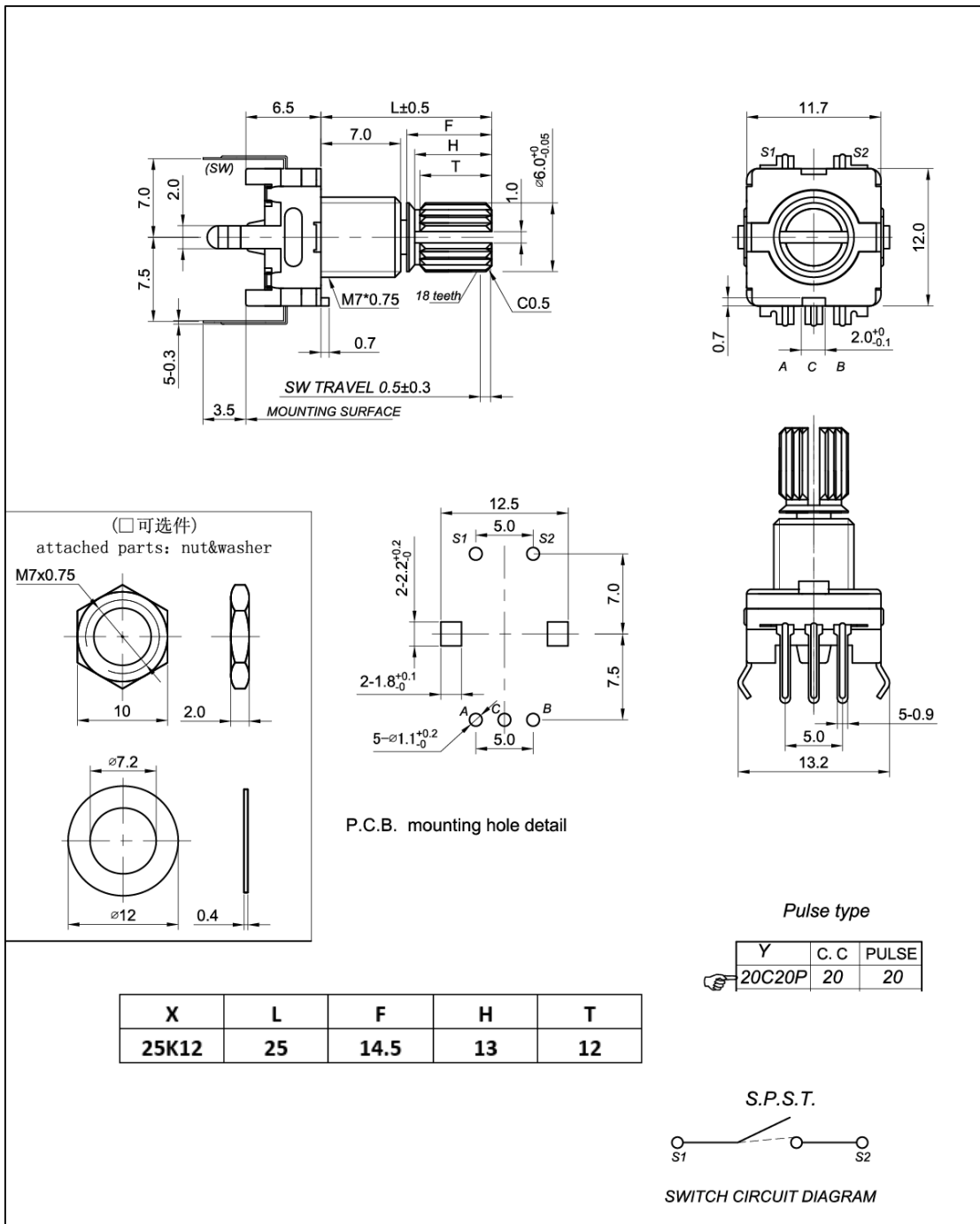
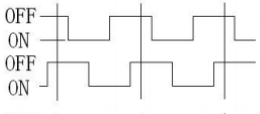
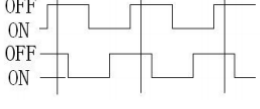


Data Sheet

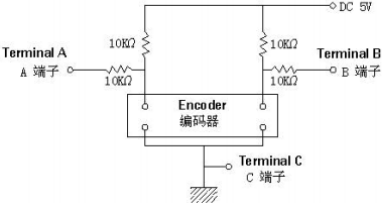
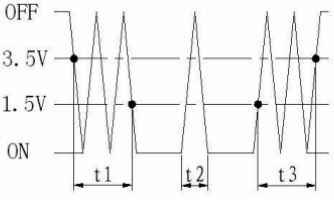
Rotary switch



Data Sheet

5.1 输出信号 Output signal format	轴回转方向 Shaft rotational direction	信号 Signal	输出波形 Output 图3 fig.3
	顺时针方向 C. W	A(A-C端子间) A(Terminal A-C) B(B-C端子间) B(Terminal B-C)	
	逆时针方向 C. C. W	A(A-C端子间) A(Terminal A-C) B(B-C端子间) B(Terminal B-C)	

20P

5.3 开关特性 Switching characteristics	<p>下(图4)所示回路,轴以$360^\circ/\text{sec}$的速度转动测定. Measurement shall be made under the condition as follows. Shaft rotational speed: $360^\circ/\text{S}$ Test circuit:(fig.4)</p> <p>图4(fig.4)</p>  <p>图5(fig.5)</p>  <p>(注)编码OFF指输出电压3.5V以上的状态(fig.5).Code-OFF area:The area which the voltage is 3.5V or more(fig.5) 编码ON指输出电压1.5V以下的状态(fig.5).Code-ON area:The area which the voltage is 1.5V or less(fig.5)</p>
---------------------------------------	---

Data Sheet

Technical data

Rated voltage:	DC 5V
Maximum operating current (resistive load):	10mA
Contact resistance	$\leq 100\text{m}\Omega$
Insulation resistance	100M Ω Min
Bouncing	$\leq 10\text{ms}$
Switch circuit and number of pulses	Single pole and single throw (PUSH ON)
Operation force of switch	400-600gf.cm
Push life	20000 cycles
Operating temperature range	-10°C to 70°C
Storage temperature range	-40°C to +85°C