



DC POWER CONNECTORS: KPJX Series
Snap and Lock PCB Mount Receptacle

Product Features

Laptop Computers, Power Supplies and Other Portable Digital Equipment Applications
 Snap & Lock Feature Helps to Prevent Accidental Disconnects
 3 or 4 Pins Transmit Power, or One Pin Can Be Used For Signal Transmission
 For Signal and DC Power Applications
 CSA/NRTL Certified File No. LR78160
 UL File No. E140125

Performance Specifications

Materials and Finish

Shield: Copper Alloy, Tin Plated
Body: PBT, UL 94V-0 Rated
HT Body: High Temperature Thermoplastic, UL 94V-0 Rated

Electrical Characteristics

Contact Rating

3 Position: Pin 1 and 2, 48V DC at 7.5A Max.,
 Pin 3, 48V DC 1.0A Max.

4 Position: 48V DC 7.5A Max. For All Pins.

Insulation Resistance: 50 Megohms Min. at 250V DC

Dielectric Withstanding Voltage: 500V AC for 1 Minute

Contact Resistance: 30 milliohms Max.

Mechanical Characteristics

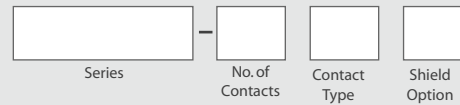
Durability: 1000 Cycles

2D Drawing	IGES	STEP	3D PDF
Check Stock	Solder Profile	Request a Sample	Send Us An Email
RoHS Compliant	REACH Compliant	UL Plastic	Certificate of Compliance

Generated Part Number



Part Number Builder



Series

KPJX - Right Angle Receptacle
 KPJXHT - High Temperature, Right Angle Receptacle

Number of Contacts

3 Pin
 4 Pin

Contact Type

S - Socket

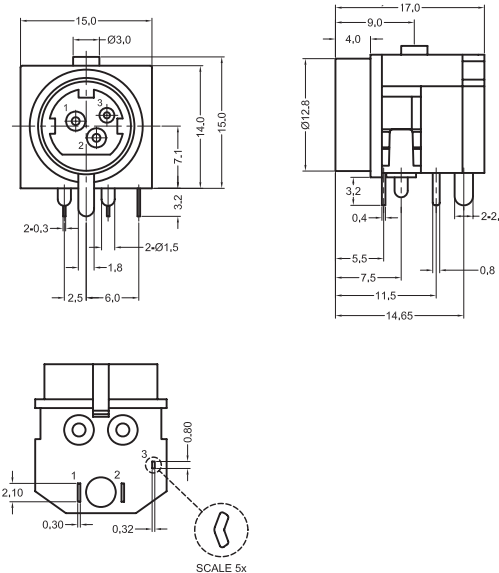
Shield Option

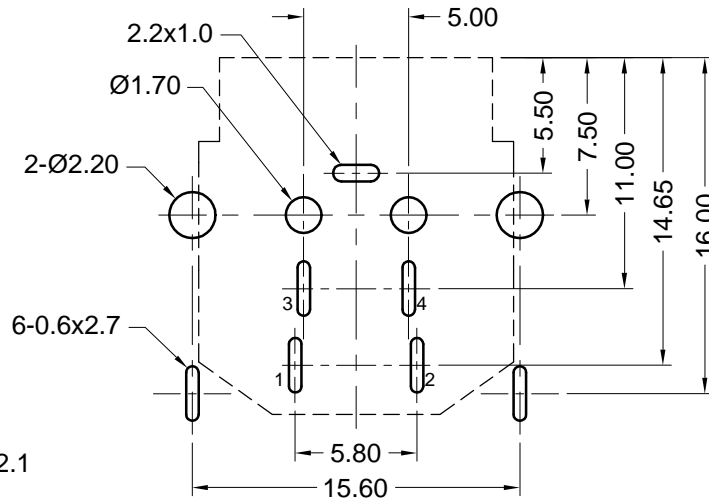
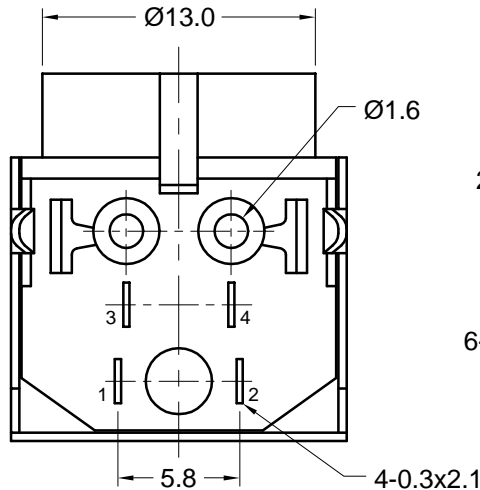
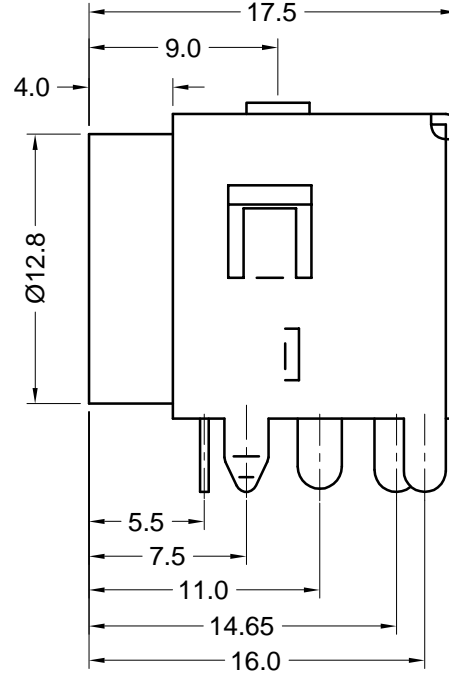
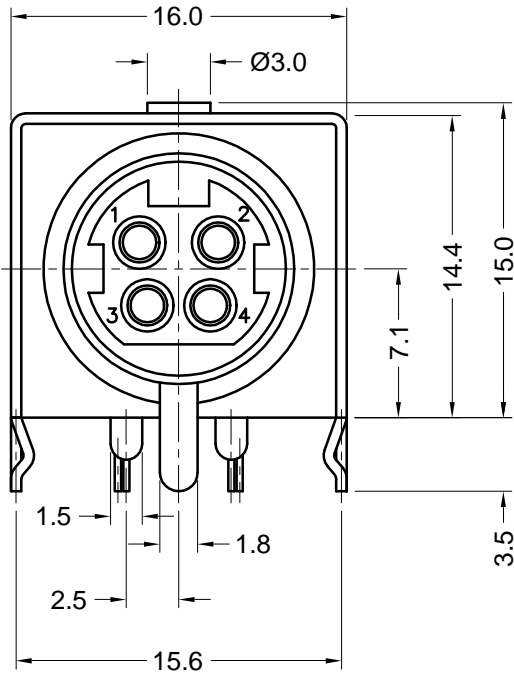
Blank - Non-Shielded
 S - Shielded

Mates with: KPPX Series Plugs

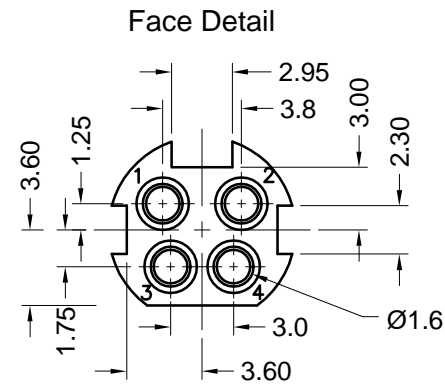
Contact Kycon for Other Options

KPJX-3S Series
 Dimensions in mm





Recommended PCB Layout
(Bottom View)



Material and Finish

Inner Shield: copper alloy,
tin plated

Outer Shield: steel, tin plated

Body: PBT thermoplastic
UL94V-0 rated
color - black

Contacts: brass, tin plated

Electrical Characteristics

Contact Rating:
7.5A max. @ 20V DC

Insulation Resistance:
50 Megohms min. at 250V DC

Dielectric Strength:
250 V AC rms for 1 minute

Contact Resistance:
50 milliohms max.

Tolerances
X.X ± 0.25
X.XX ± 0.15
Unless Stated Otherwise



REVISION	DATE	DESCRIPTION	DRAWN BY	CHECKED BY	UNITS
A5	12/13/00	Ref ECD 00-213	C. Leiva	H. MA	mm
A6	7/09/01	Ref ECD 01-085	REVISED BY	CHECK DATE	DATE
A7	12/03/02	Ref ECD 02-136	T. Gokcek	12/04/02	3/4/98

KPJ-4S-S

DC Power Jack

4 position, Shielded

