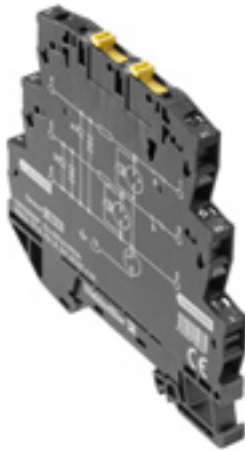


VSSC6TRSLFG24VAC/DC0.5A

Weidmüller Interface GmbH & Co. KG
 Klingenbergstraße 16
 D-32758 Detmold
 Germany
 Fon: +49 5231 14-0
 Fax: +49 5231 14-292083
 www.weidmuller.com



Overvoltage coupling along the conductor path may disturb or destroy sensitive signal inputs. It is important to provide protection in the immediate vicinity of I&C devices. Weidmüller's broad product range for the I&C sector offers products in a 2-piece, pluggable design and modular terminals for tension clamp or screw connection. These products are suitable for both binary and analogue signals. Weidmüller also offers other designs with integrated components such as gas discharge tubes or varistors. VARITECTOR stands for flexible and variable surge protection by Weidmüller, tested according to product standard IEC61643-21. The VARITECTOR series can be used in applications according to IEC 61643-22 / VDE 0845-3 for classes C1, C2, C3 and D1. The VARITECTOR SPC, SSC and MCZ OVP product families optimally combine electrical and mechanical properties. Size and easy handling play an important role. This surge protection is suited for confined spaces in industrial and process automation as well as in building automation applications.

General ordering data

Type	VSSC6TRSLFG24VAC/DC0.5A
Order No.	135480000
Version	Surge protection for instrumentation and control, 24 V, 34 V, 500 mA, IEC 61643-21
GTIN (EAN)	4050118156751
Qty.	10 pc(s).

VSSC6TRSLFG24VAC/DC0.5A

Weidmüller Interface GmbH & Co. KG
 Klingenbergstraße 16
 D-32758 Detmold
 Germany
 Fon: +49 5231 14-0
 Fax: +49 5231 14-292083
 www.weidmueller.com

Technische Daten

Dimensions and weights

Width	6.2 mm	Height	88.5 mm
Depth	81 mm	Net weight	46.8 g

Temperatures

Humidity	5...96 %	Operating temperature	-40 °C...+70 °C
Storage temperature	-40 °C...+80 °C		

Probability of failure

λ_{ges}	54	MTTF	1,342 years
PFH in $1 \cdot 10^{-9}$ per hour	1.8	SFF	96.67 %
SIL in compliance with IEC 61508	3		

General data

Colour	Black	Isolating function	Yes
Mounting rail	TS 35	Optical function display	No
Protection degree	IP 20	Segment	Instrumentation and Control
Testing option	Functional screw with test plug receptacle, connections 1, 2, 4, 5	UL 94 flammability rating	V-0

Insulation coordination acc. to EN 50178

Pollution severity	2	Surge voltage category	III
--------------------	---	------------------------	-----

Interference voltage

Protection level on output side Wire-wire 1 kV/ μ s, typically	70 V	Protection level on output side Wire-PE 1kV/ μ s, typically	110 V
---	------	--	-------

Protection level

Protection level, U_p GND - PE	1,400 V	Protection level, U_p wire - PE	110 V
----------------------------------	---------	-----------------------------------	-------

technical data

Rated voltage (AC)	24 V	Rated voltage (DC)	34 V
Max. continuous voltage, U_c (AC)	30 V	Max. continuous voltage, U_c (DC)	42 V
Highest continuous voltage (AC)	30 V	Discharge current I_n (8/20 μ s) wire-PE	2.5 kA
Discharge current I_n (8/20 μ s) GND-PE	2.5 kA	Discharge current I_{max} (8/20 μ s) GND-PE	10 kA
Discharge current I_{max} (8/20 μ s) wire-PE	10 kA	Fuse, max.	0.5 A
Discharge current, max. (8/20 μ s)	10 kA	Protection level U_p (typ.)	110 V
Leakage current at U_n	2.8 mA	Standards	IEC 61643-21
Colour	Black	Humidity	5...96 %
Requirements category acc. to IEC 61643-21	C2, C3, D1	Volume resistance	1.8 Ω 10 %
Residual voltage, U_p typical	110 V	Voltage type	AC/DC
Dielectric strength at FG against PE	≥ 500 V	Overload - failure mode	Modus 2

VSSC6TRSLFG24VAC/DC0.5A

Weidmüller Interface GmbH & Co. KG
 Klingenbergstraße 16
 D-32758 Detmold
 Germany
 Fon: +49 5231 14-0
 Fax: +49 5231 14-292083
 www.weidmueller.com

Technische Daten

Connection data

Clamping range, rated connection, min.	0.5 mm ²	Clamping range, rated connection, max.	4 mm ²
Wire connection cross section, stranded, rated connection, min.	0.5 mm ²	Wire connection cross section, stranded, rated connection, max.	4 mm ²
Tightening torque, min.	0.5 Nm	Tightening torque, max.	0.8 Nm

Further details of approvals

GOST certificate GOST-Zertifikat

Rated data UL

Certificate No. (UL) E311081 UL certificate UL Zertifikat

Classifications

ETIM 3.0	EC000943	UNSPSC	30-21-19-21
eClass 5.1	27-13-08-01	eClass 6.2	27-13-08-05
eClass 7.1	27-13-08-05		

Product information

Descriptive text ordering data	End plate AP VSSC6 1063110000
Descriptive text technical data	Without LED display
Descriptive text accessories	Screwdriver: Torx® 9009170000 Slot 0.8x4.0 9008340000 Test plug PS2.3 0180400000 EMC Set: 1067470000 Marker: WS10/6 1818400000; DEK 6 0468560000; DEK 5 176826; SNAPMARK 1805880000

Approvals

Approvals



Probability of failure

SIL PAPER [SIL PAPER](#)

Downloads

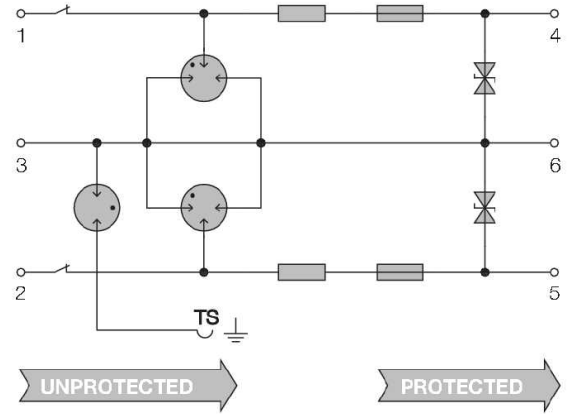
Package insert	Instruction sheet VSSC
SIL PAPER	SIL PAPER
Declaration of Conformity	CE document

VSSC6TRSLFG24VAC/DC0.5A

Weidmüller Interface GmbH & Co. KG
Klingenbergstraße 16
D-32758 Detmold
Germany
Fon: +49 5231 14-0
Fax: +49 5231 14-292083
www.weidmueller.com

Zeichnungen

Similar to illustration



Circuit diagram