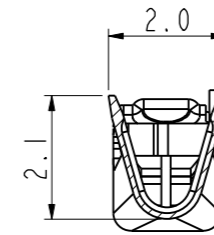
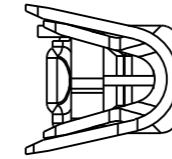
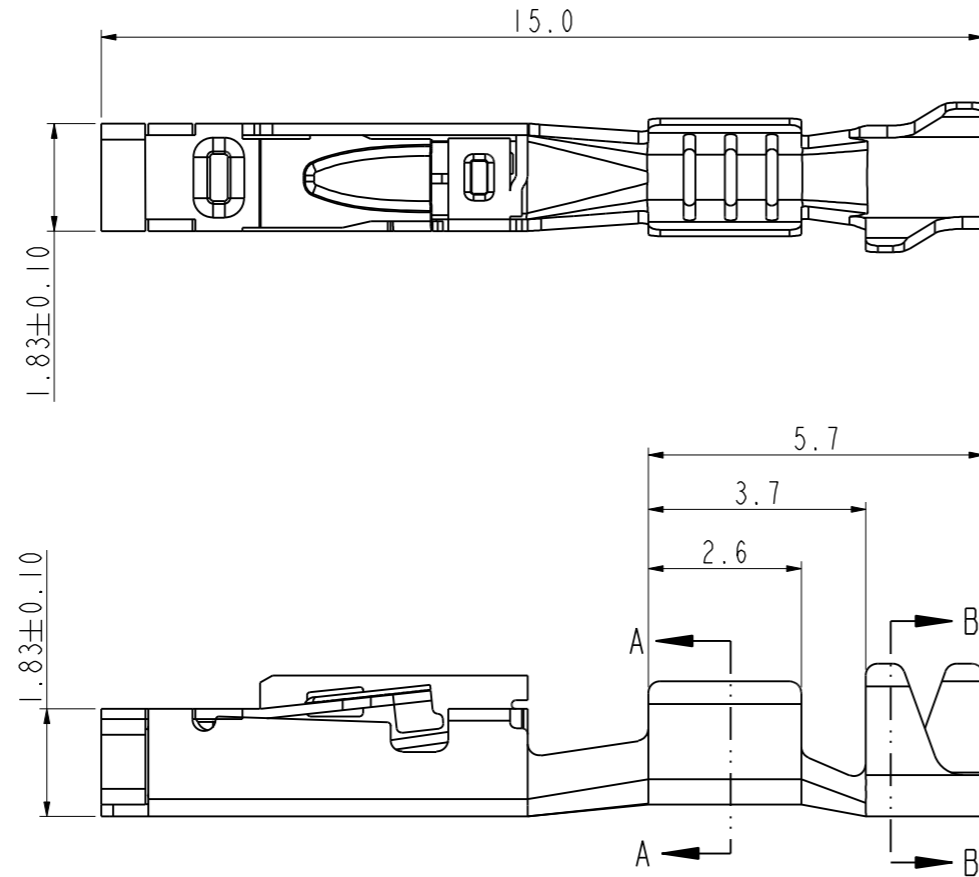
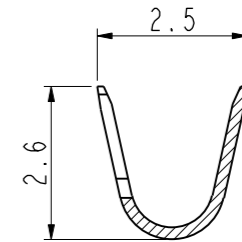


Amphenol PCDSZ
ORIGINAL
PDF Format
R&D

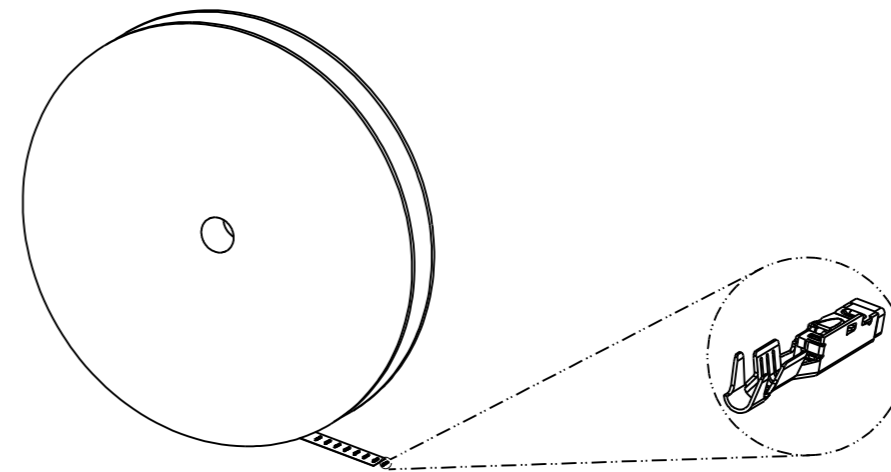
REV	ECN	DESCRIPTION	DATE	MODIFIED
A		FIRST RELEASE	2018.06.25	ROY.QU
B	C3331N	ADD CABLE INSULATION	2019.05.16	ROY.QU



SECTION A-A



SECTION B-B



安费诺精密连接器(深圳)有限公司
Amphenol PCD Shenzhen
受控文件
2019年5月21日

TECHNICAL FEATURES

1.MATERIAL:COPPER ALLOY

2.CONTACT FINISH:TIN PLATED

3. WIRE SIZE RANGE:0.35~0.75 MM²
INSULATION OD: ϕ 1.1~ ϕ 1.75MM

4.CURRENT CARRYING CAPACITY:
UP TO 5 AMPERE (AT 20° C AMBIENT TEMPERATURE)

DIMENSIONS	TOLERANCES	PROJECTION	Amphenol Pcd Shenzhen		TITLE		
ANSI Y14.5M UNITS: MM Pro/E FILE	.X ±0.5 .XX ±0.05 ANGLES ±0.5°		ENGR	ROY.QU	12*0.6 FEMALE PIN		
				2018.06.25	SIZE	DWG NO.	REV
ORIGINAL	THIS DOCUMENT CONTAINS PROPRIETARY INFORMATION WHICH IS THE CONFIDENTIAL PROPERTY OF AMPHENOL PCD SHENZHEN		CHKD	<i>Senbas</i>	A3	C-C310003614S	B
			APPD	<i>Jouk</i>	CODE: 58982	SCALE: 2:1	SHEET 1 OF 1