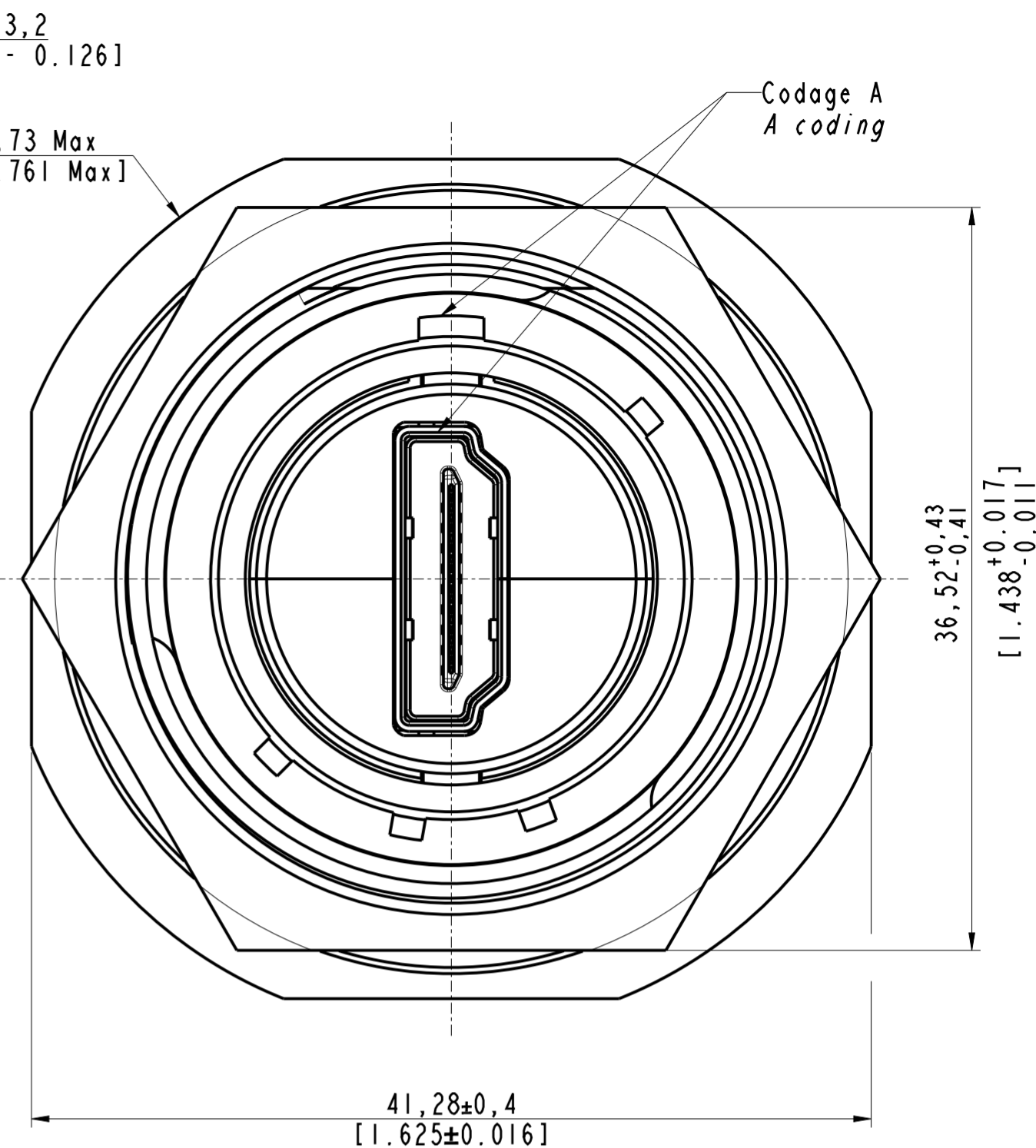
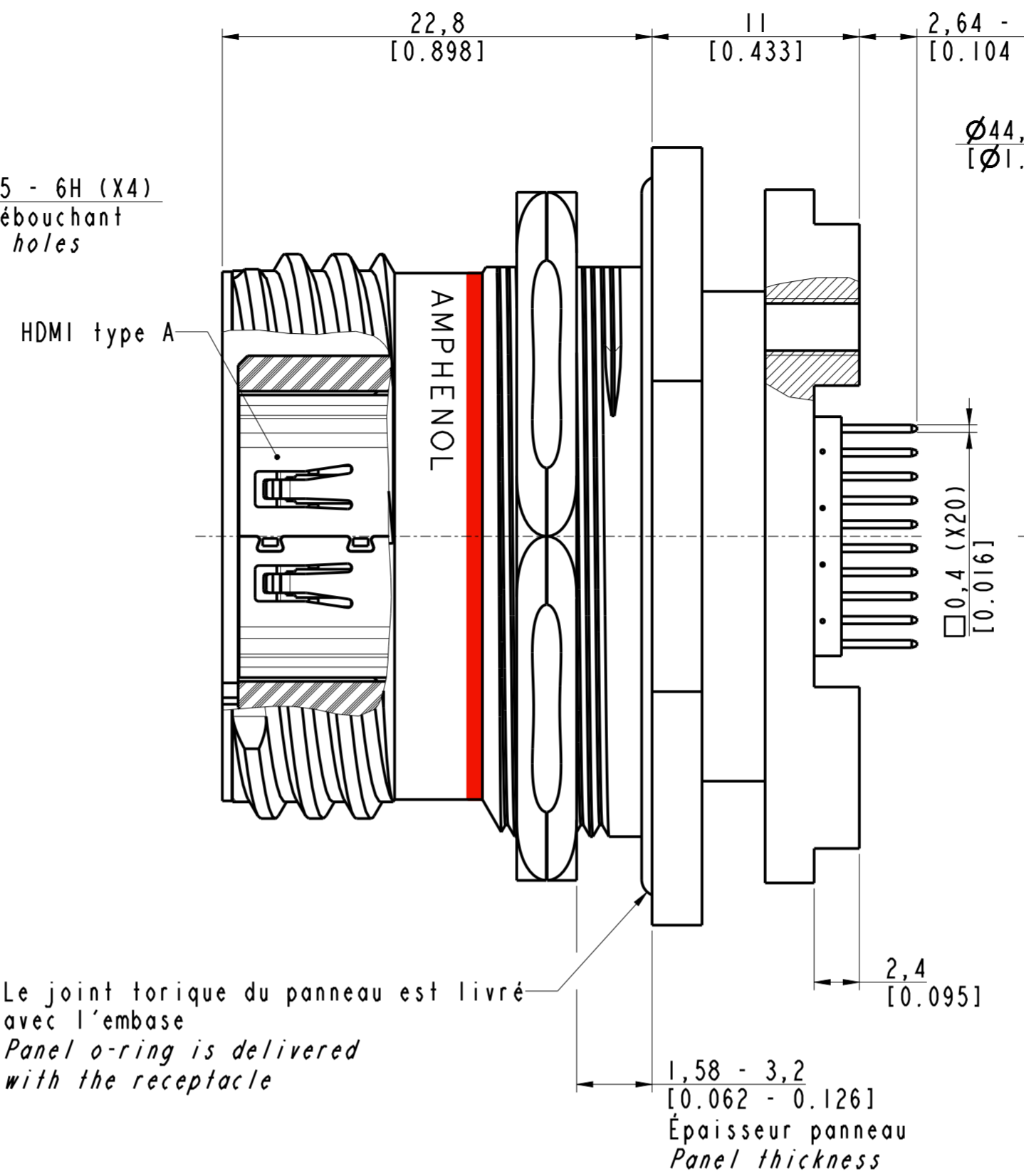
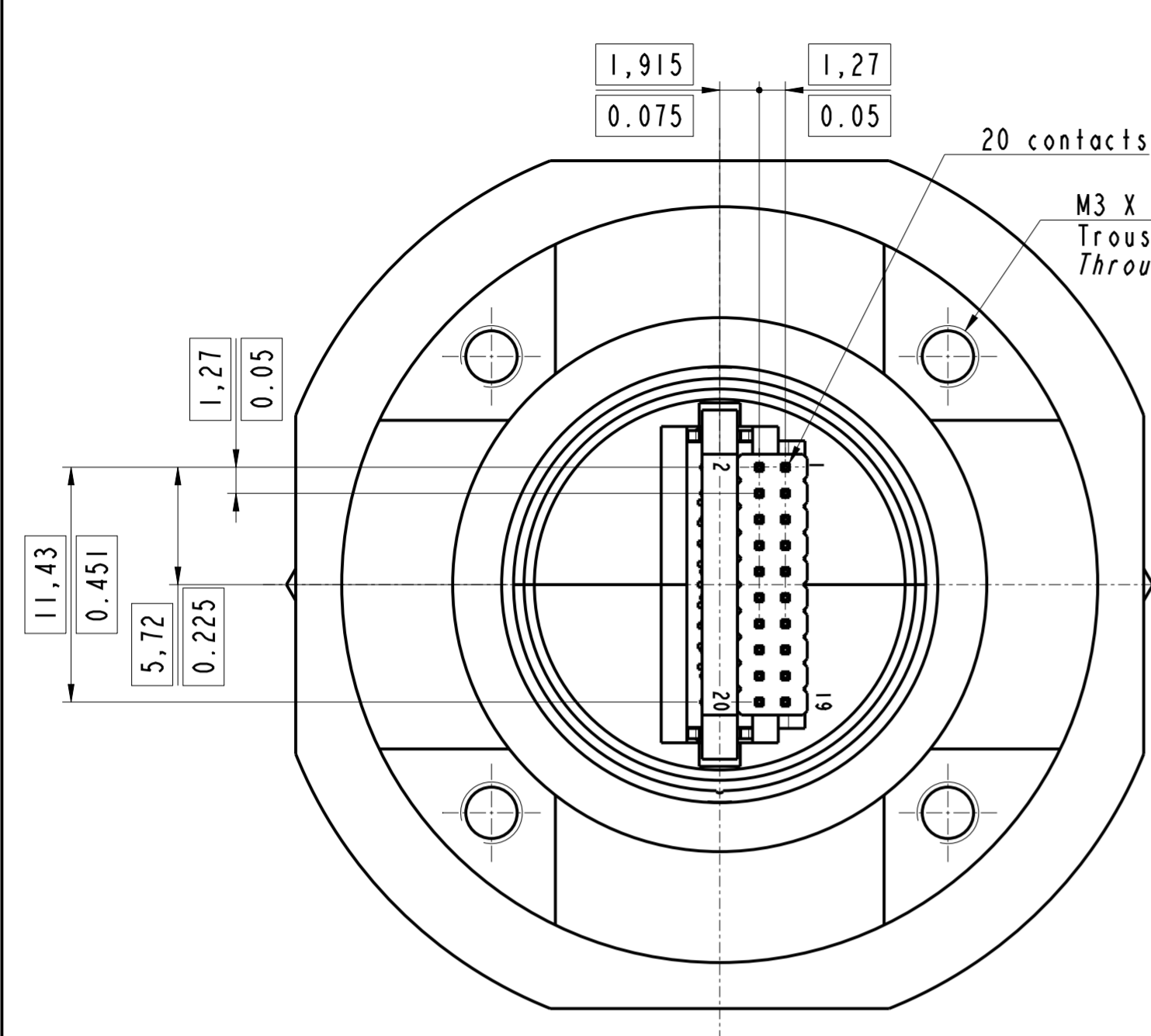
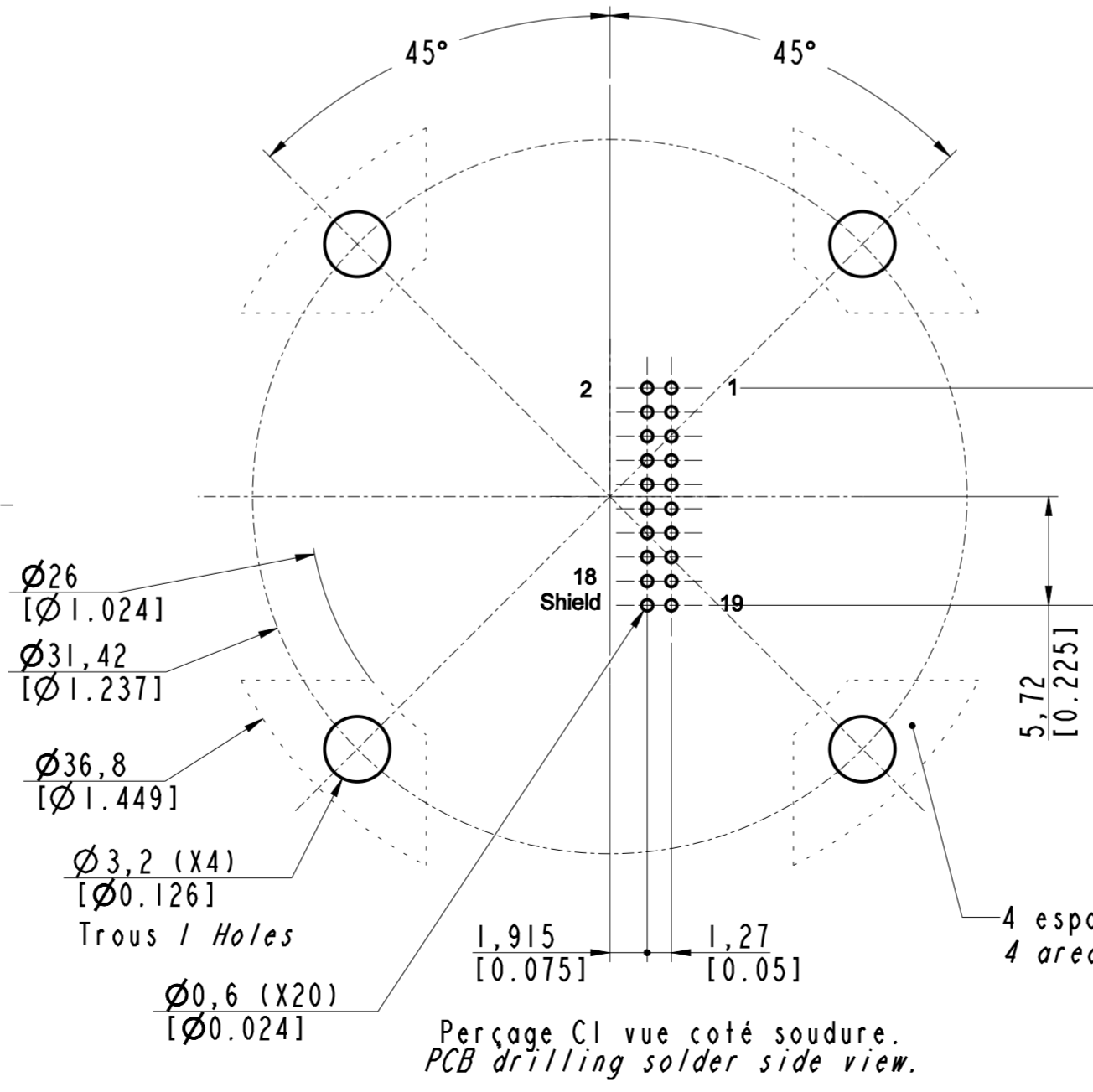
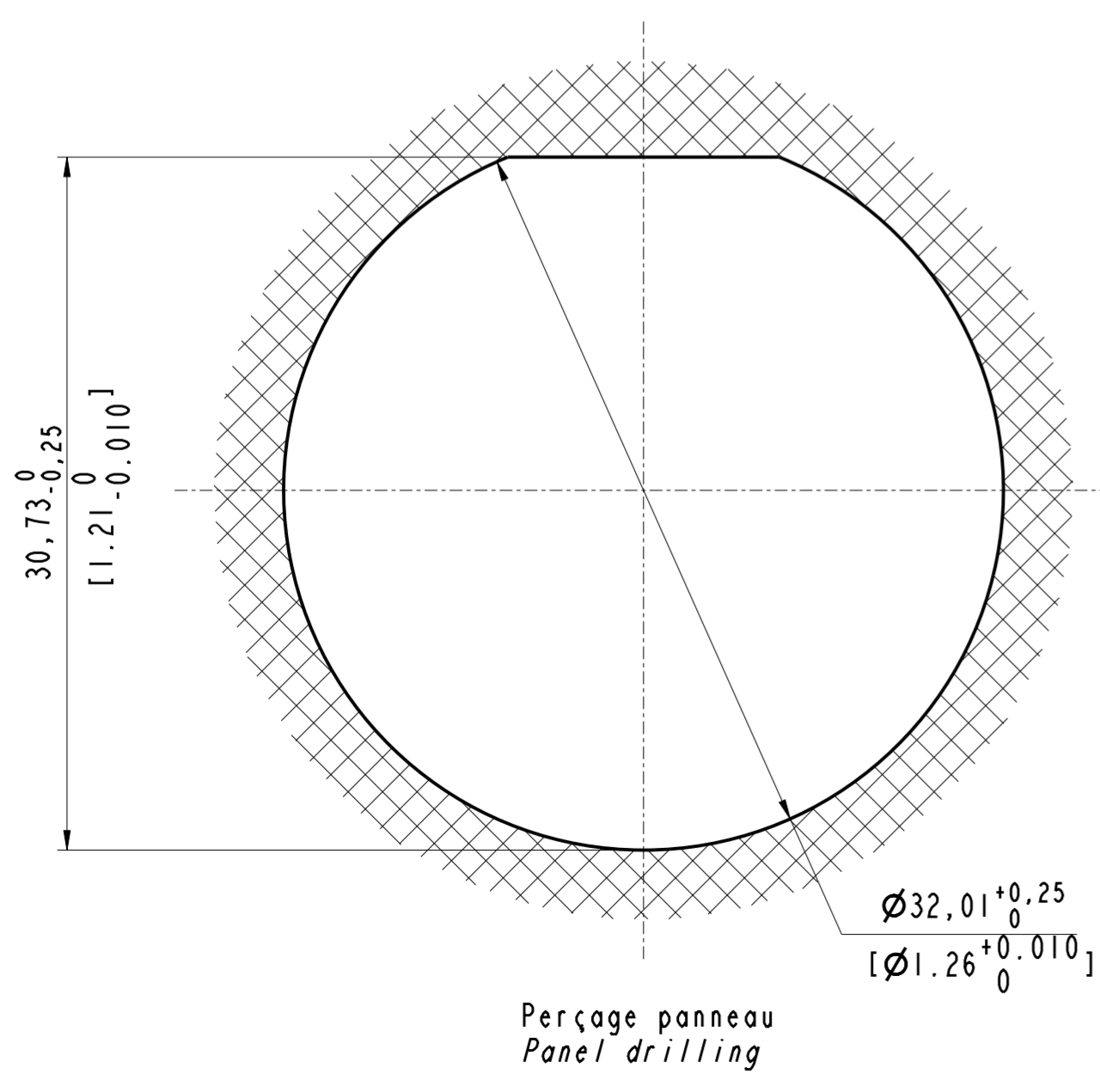


IN THE CONSTANT PURPOSE OF IMPROVING ITS PRODUCTS, AMPHENOL SOCAPEX RESERVES THE RIGHT TO MODIFY ANY DIMENSION OR CHARACTERISTICS.  
 FM.NPD.0037.THYZE.PUNE.rev.C



Le joint torique du panneau est livré avec l'embase  
 Panel o-ring is delivered with the receptacle



# HDMIF TV 7 A x F459

Embase Receptacle

Corps d'embase avec fixation pour CI  
 Receptacle shell stand off for PCB

- N: Nickel-RoHS
- G: Cadmium vert olive-Non RoHS  
Olive drab cadmium-Not RoHS
- ZN: Zinc nickel noir-RoHS  
Black zinc nickel-RoHS
- BZ: Bronze-RoHS
- S: Stainless Steel-RoHS

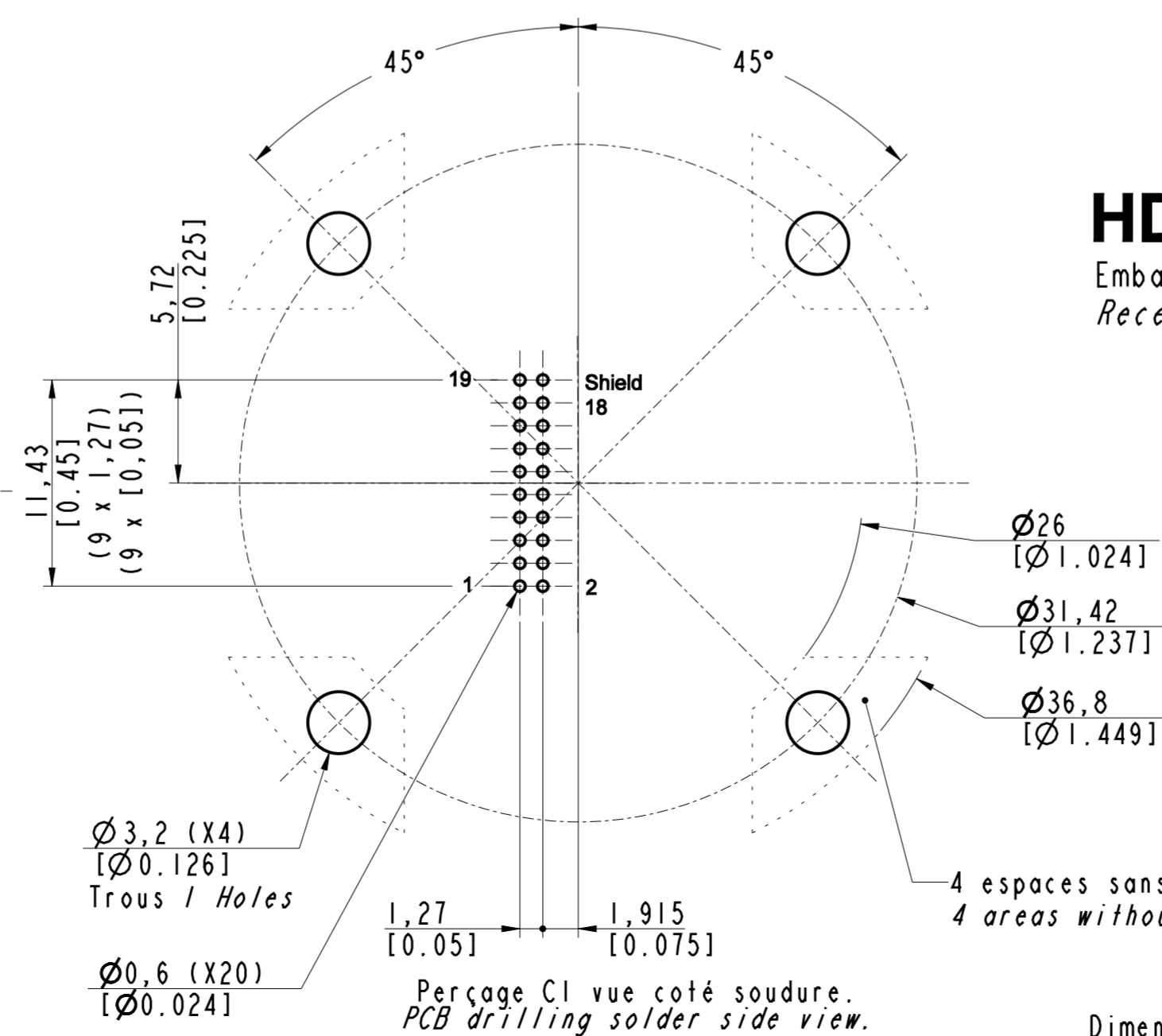
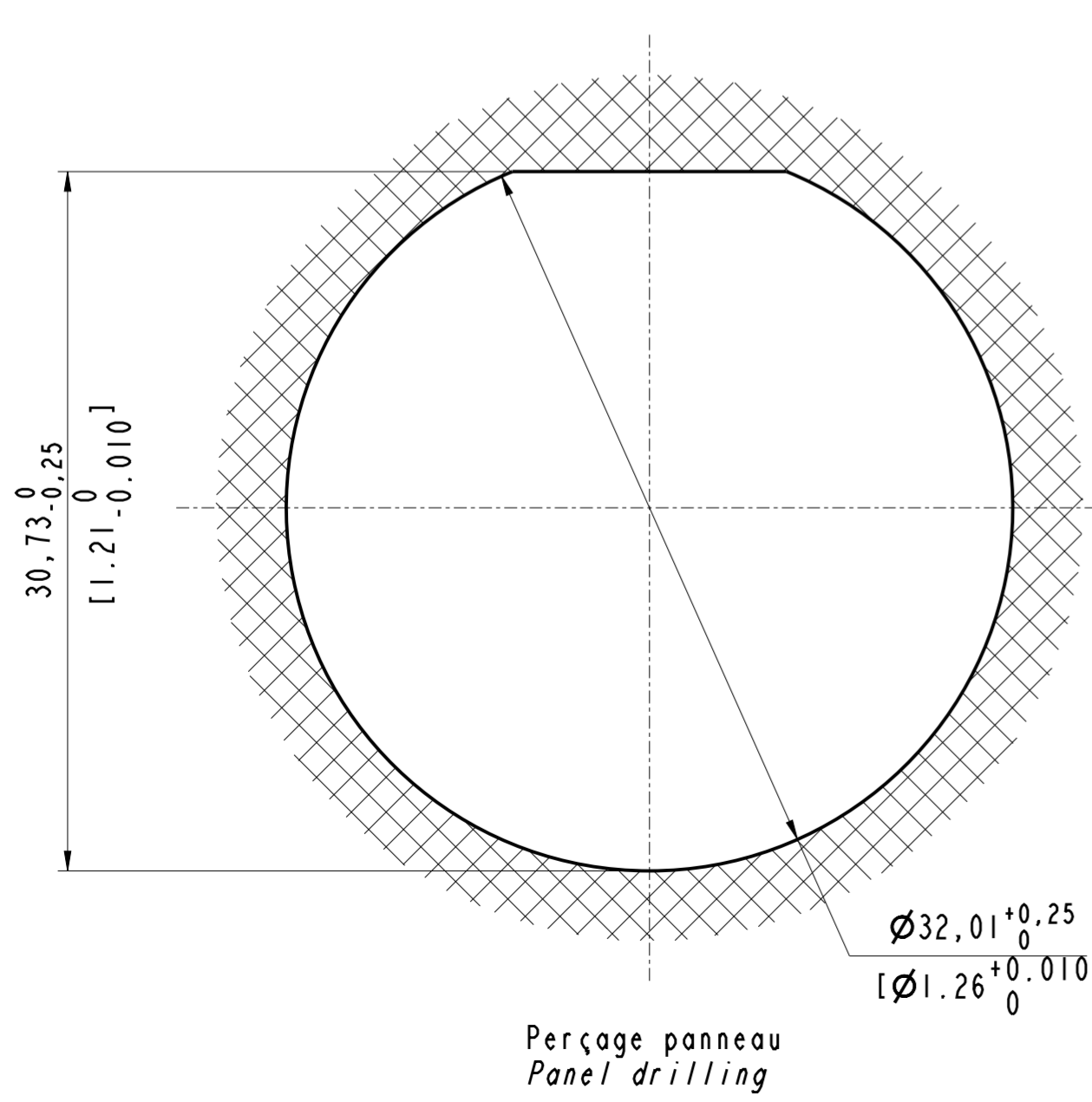
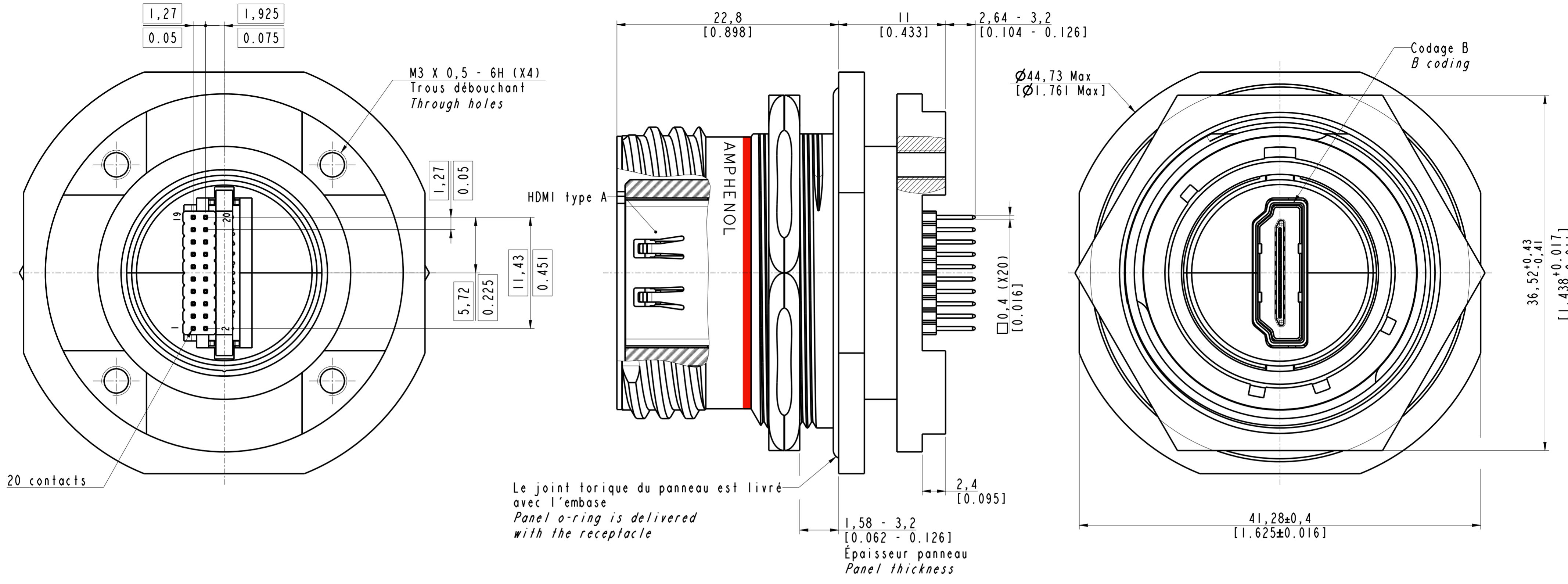
Codage / Coding: A

Nota / Note:  
 Produit utilisable avec un cordon de port d'affichage HDMI type A mâle.  
 Product usable with male HDMI type A display port cordset.

Dimensions are in mm / [inch]

DRAWN BY: R Reddy	UPDATED BY: -	LAST APPROVED BY: M Rinsant	
ALL DIMENSIONS ARE IN MM	AMPHENOL SOCAPEX		ORIGINAL DRAWING DATE: 04/03/2021
SCALE: 3,5	B.P. 29 74311 THYZE CEDEX		CONFIGURATION DATA ARE AVAILABLE IN PDM
		REV: A	PAGE: 1/2
191-PLC-1038-03			

IN THE CONSTANT PURPOSE OF IMPROVING ITS PRODUCTS, Amphenol Socapex reserves the right to modify any dimension or characteristics.  
 FM.NPD.0037.THYZE.PUNE.rev.C



# HDMIF TV 7 B x F459

Embase  
Receptacle

Corps d'embase avec fixation pour CI  
Receptacle shell stand off for PCB

- N: Nickel-RoHS
- G: Cadmium vert olive-Non RoHS  
Olive drab cadmium-Not RoHS
- ZN: Zinc nickel noir-RoHS  
Black zinc nickel-RoHS
- BZ: Bronze-RoHS
- S: Stainless Steel-RoHS

Codage I Coding: B

Nota / Note:  
Produit utilisable avec un cordon de port d'affichage HDMI type A mâle.  
Product usable with male HDMI type A display port cordset.

DRAWN BY: R Reddy	UPDATED BY: -	LAST APPROVED BY: M Rinsant	
ALL DIMENSIONS ARE IN MM	AMPHENOL SOCAPEX		ORIGINAL DRAWING DATE: 04/03/2021
SCALE: 3,5	B.P. 29 74311 THYZE CEDEX		CONFIGURATION DATA ARE AVAILABLE IN PDM
		REV: A	PAGE: 2/2
191-PLC-1038-03			

Dimensions are in mm / [inch]