

# 90 Watt PREMIUM Triac Dimmable Driver



## Features:

- Constant voltage/ PWM Output
- Leading & Trailing edge dimmable
- AC input: 200-240VAC
- Built-in active PFC function
- Efficiency up to 86%
- Protections: Short circuit/ Over loading/ Over current/ Over temperature
- Full protection plastic housing easy installation
- Cooling by free air convection
- Suitable for LED lighting and moving signs



## Models

RND 500-00031

RND 500-00032

## Output Specifications

Output Voltage	12V	24V
Voltage Tolerance	±0.5V	
Output Current	7.5A	3.75A
Rated Power	90W	

## Input Specifications

Input Voltage	200-240VAC	
Frequency Range	47-63Hz	
Inrush Current	68A (Twidth=130µs 230VAC)	
Full Load Efficiency (Typ.)	86%	
AC Current (Max.)	0.65A	
Leakage Current	<0.50mA	
Power Factor	PF>0.98/200VAC PF>0.98/230VAC PF>0.98/240VAC (Full Loading)	

## Protection

Short Circuit	Shut down o/p voltage, re-power on to recover after fault condition is removed
Over Loading	≤120%, shut down o/p voltage, re-power on to recover
Over Current	≤1.2 *I out
Over Temperature	100°C± 10°C shut down o/p voltage, re-power on to recover

## Environment

Working Temperature	-40~+70°C (Refer to derating curve)
Working Humidity	20-90% RH, non-condensing
Storage Temperature, Humidity	-40~+80°C, 10-95% RH

Art. Nr.302-94-941 & 302-94-942

RND 500-00031 & RND 500-00032

# 90 Watt PREMIUM Triac Dimmable Driver



## Environment

Temperature Coefficient	$\pm 0.03\%/^{\circ}\text{C}$ (0-50°C)
Vibration	10-500Hz, 2G 10min./ 1 cycle, period for 72min.each along X, Y, Z axes

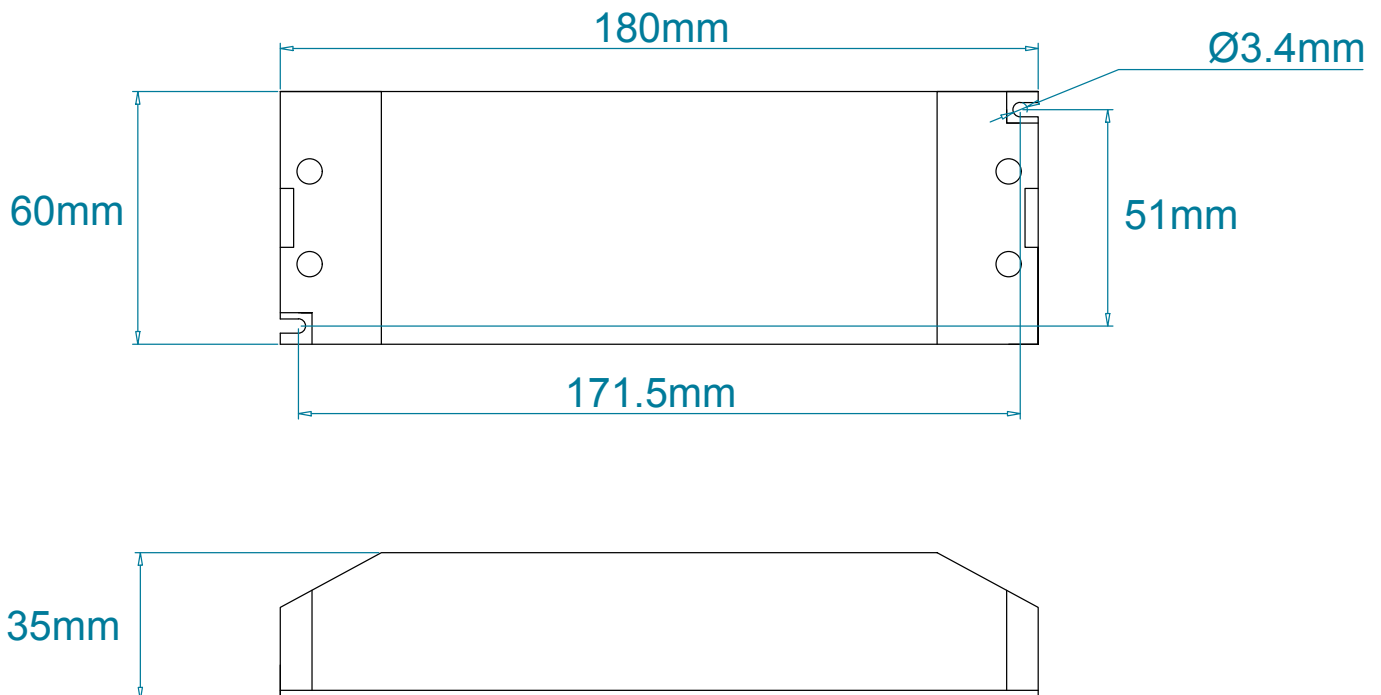
## Safety & EMC

Safety standards	EN61347-1, EN61347-2-13
Withstand Voltage	I/P-O/P: 3.75KVAC
Isolation Resistance	I/P-O/P: 100M $\Omega$ /500VDC/25°C/70%RH
EMC Emission	Compliance to EN55015, EN61000-3-2,3 (>60%load)

## Other Specifications

Weight	0.45 Kg
Size	180 x 60 x 35 mm
Packing	355 x 215 x 215 mm (20PCS/CTN)

## Mechanical Specifications

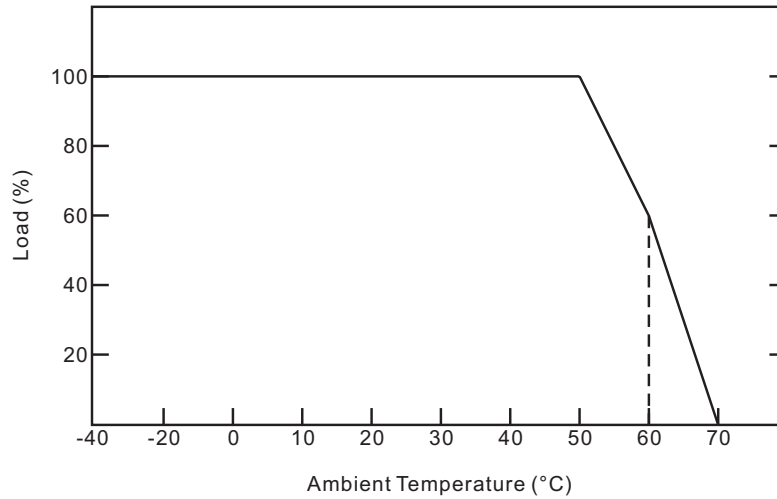


Art. Nr.302-94-941 & 302-94-942

RND 500-00031 & RND 500-00032

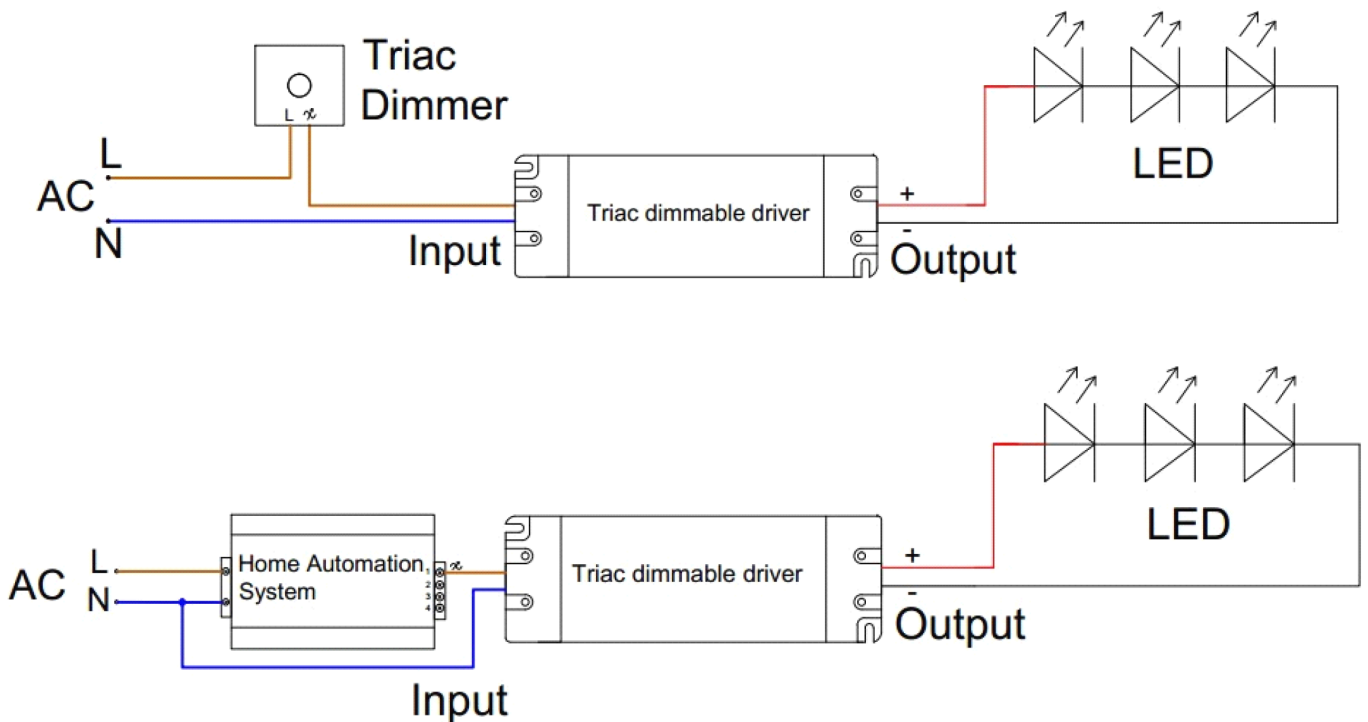
# 90 Watt PREMIUM Triac Dimmable Driver

## Derating Curve



## Connecting Diagram

### ■ Single Driver Connecting Diagram



# 90 Watt PREMIUM Triac Dimmable Driver



## Connecting Diagram

### Multiple Drivers Connecting Diagram

