



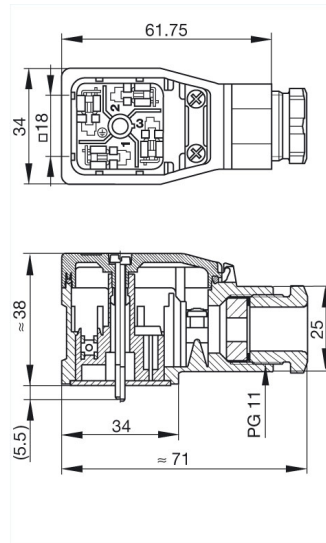
GDME 2011 schwarz/black

Industrial Connectors:Rectangular connectors GDM-series:Type A EN 175301-803 (DIN 43650) / ISO 4400:Cable socket with electronic insert

Product description

| | |
|----------------------|--|
| Description | cable socket with central screw M 3 x 40, strain relief and transparent cover, possibility to fit electronic inserts |
| Type | GDME 2011 schwarz/black |
| Order No. | 933 029-100 |
| Other standard types | grey housing, Order no. 933 029-106 |
| Number of contacts | 2 + PE |
| Cable gland | PG 11 (black) |
| Conductor size | max. 1.5 mm ² |
| Standard | DIN EN 175 301-803-A |
| Housing Color | black, with transparent cover |
| Construction type | A |

Drawing



Technical data

| | |
|---------------------|------------------------------------|
| Pin dimensions | 6.3 mm x 0.8 mm, 4.8 mm x 0.8 mm |
| Rated voltage | AC 400 V, DC 250 V without inserts |
| Rated current | 16 A |
| Contact resistance | ≤ 4 mOhm |
| Type of termination | screw |
| Suitable cables | 4.5 mm to 11 mm diameter |
| Mounting | central nut |

Material

| | |
|--------------------------|----|
| Contact surface material | Sn |
| Contact bearer material | PA |
| Housing material | PA |

Environmental conditions

| | |
|------------------------------|--------------------------|
| Protection class (IEC 60529) | IP 65 (gasket necessary) |
| Pollution severity | 3 |
| Temperature range | -40 °C to +85 °C |

Inflammability class

| | |
|----------------|-------|
| Housing | 94 V1 |
| Contact bearer | 94 V1 |

Approvals

| | |
|-----|-----|
| VDE | VDE |
| SEV | SEV |
| GL | GL |

Packaging unit

| | |
|----------------|-----------|
| Packaging unit | 50 pieces |
|----------------|-----------|

Scope of delivery and accessories

| | |
|---------------------------------|---|
| Accessories to order separately | (NBR) flat gasket GDM 3-7, Order no. 730 801-002; (EPDM) flat gasket GDM 3-21, Order no. 731 739-004; knurled screw GDME 3N-7, Order no. 732 280-001 |
|---------------------------------|---|