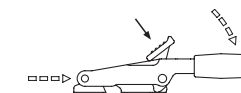




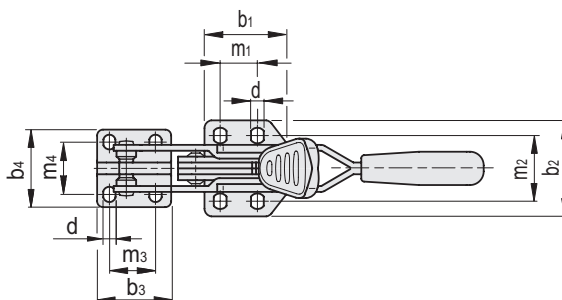
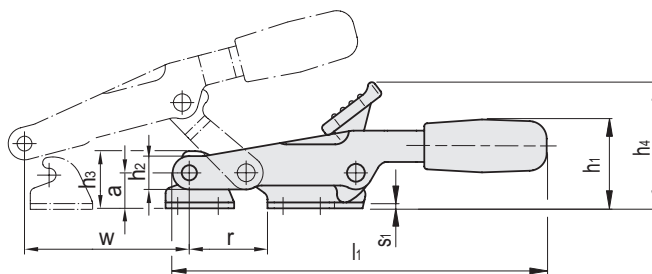
STANDARD EXECUTIONS

Material: C10 zinc-plated steel, zinc-plated steel rivets and pulling hook.

- **MTF-S.TL**: with traction pin and matching part.
 - **MTF-S.TFL**: without pulling hook and without matching part.
 - **MTF-S.TFL-TG**: with eyelet-shaped pulling hook and matching part.
 - **MTF-S.TFL-TT**: with T-shaped pulling hook and matching part.
 - **MTF-S.TFL-TU**: with eyelet-shaped pulling hook and matching part.
- Material: AISI 304 stainless steel.
- **MTF-S.TLX**: with traction pin and matching part.
 - **MTF-S.TFLX**: without pulling hook and without matching part.
 - **MTF-S.TFLX-TGX**: with eyelet-shaped pulling hook and matching part.
 - **MTF-S.TFLX-TTX**: with T-shaped pulling hook and matching part.
 - **MTF-S.TFLX-TUX**: with eyelet-shaped pulling hook and matching part.



MTF-S.TL
MTF-S.TLX



MTF-S.TL

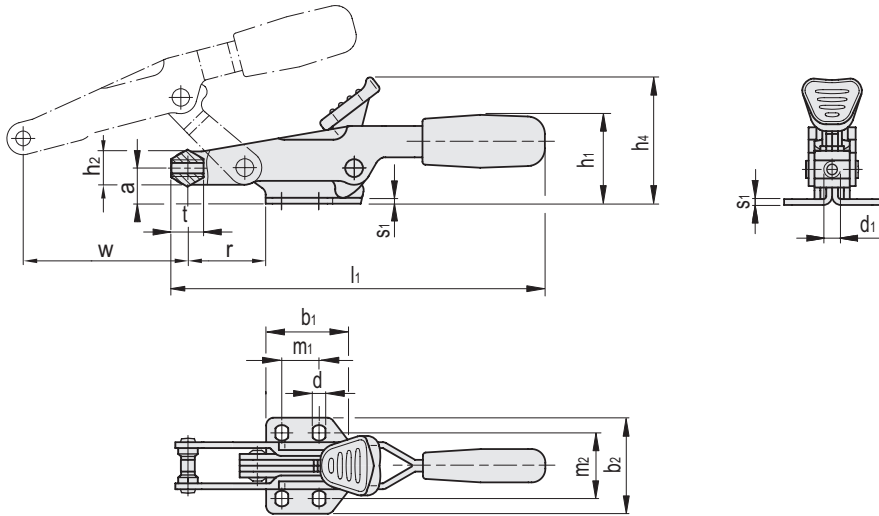
Code	Description	a	b1	b2	b3	b4	d	h1	h2	h3	h4	l1	m1	m2	m3	m4	r	s1	Stroke w	FH* [N]	⚖
GG.AL430	MTF-S.33/TL	19	50	49	35	34	6.5	45	17	30	65	200	19	33.5	19	22.3	40	3	83	5000	441
GG.AL440	MTF-S.43/TL	28	61	63	50	41	8.5	56	20	40.5	74	248	32	45	31	25.4	51	4	110	10000	834

MTF-S.TLX

GG.AS440	MTF-S.33/TLX	19	50	49	35	34	6.5	45	17	30	65	200	19	33.5	19	22.3	40	3	83	5000	441
GG.AS444	MTF-S.43/TLX	28	61	63	50	41	8.5	56	20	40.5	74	248	32	45	31	25.4	51	4	110	10000	834

* FH: holding force.

MTF-S.TFL
MTF-S.TFLX



MTF-S.TFL

Code	Description	a	b1	b2	d	d1	h1	h2	h4	l1	m1	m2	r	s1	t	Stroke w	FH* [N]	△
GG.AL435	MTF-S.33/TFL	19	50	49	6.5	M8	45	17	65	197	19	33.5	40	3	16	83	5000	413
GG.AL445	MTF-S.43/TFL	28	61	63	8.5	M10	56	20	74	242	32	45	51	4	19	90	1000	719

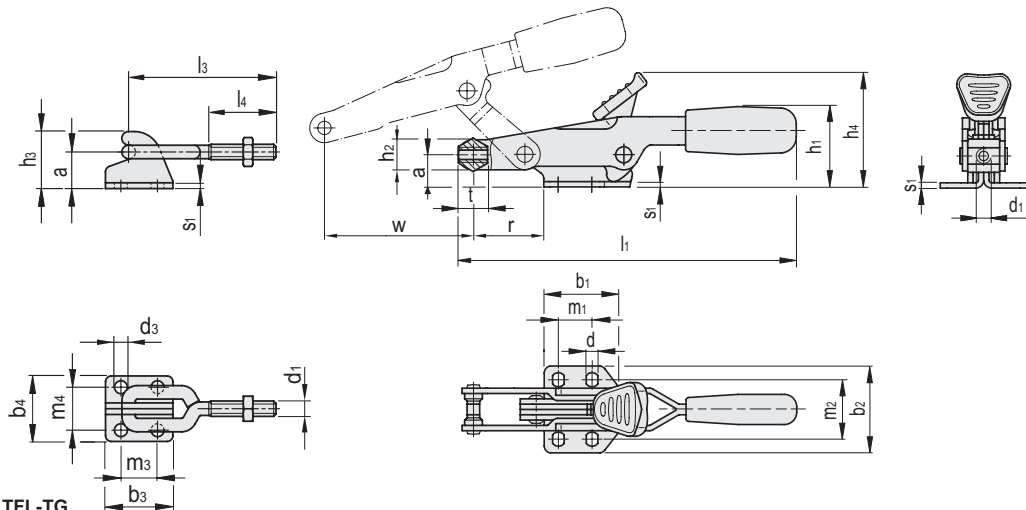
MTF-S.TFLX

GG.AS442	MTF-S.33/TFLX	19	50	49	6.5	M8	45	17	65	197	19	33.5	40	3	16	83	5000	413
GG.AS446	MTF-S.43/TFLX	28	61	63	8.5	M10	56	20	74	242	32	45	51	4	19	90	10000	719

INOX STAINLESS STEEL

* FH: holding force.

MTF-S.TFL-TG
MTF-S.TFLX-TGX



MTF-S.TFL-TG

Code	Description	a	b1	b2	b3	b4	d	d1	d3	h1	h2	h3	h4	l1	l3	l4	m1	m2	m3	m4	r	s1	t	Stroke w	FH* [N]	△
GG.AL436	MTF-S.33/TFL-TG	19	50	49	35	34	6.5	M8	6.7	45	17	30	65	197	76.5	34	19	33.5	19	22.3	40	3	16	83	5000	503
GG.AL446	MTF-S.43/TFL-TG	28	61	63	50	41	8.5	M10	8.5	56	20	40.5	74	242	95.5	42	32	45	31	25.4	51	4	19	90	10000	915

MTF-S.TFLX-TGX

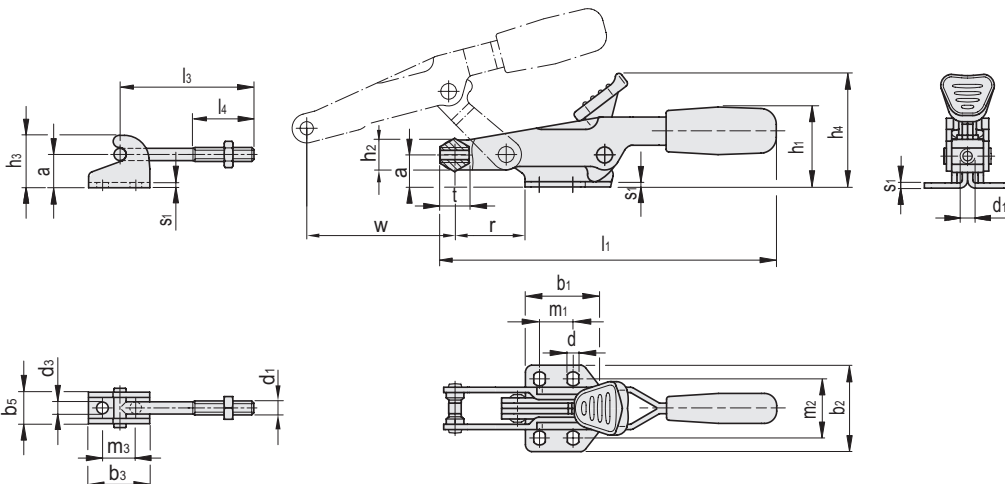
GG.AS439	MTF-S.33/TFLX-TGX	19	50	49	35	34	6.5	M8	6.7	45	17	30	65	197	76.5	34	19	33.5	19	22.3	40	3	16	83	5000	503
GG.AS447	MTF-S.43/TFLX-TGX	28	61	63	50	41	8.5	M10	8.5	56	20	40.5	74	242	95.5	42	32	45	31	25.4	51	4	19	90	10000	915

* FH: holding force.



- 1
- 2
- 3
- 4
- 5
- 6
- 7
- 8
- 9
- 10
- 11
- 12
- 13
- 14
- 15
- 16
- 17
- 18

MTF-S.TFL-TT
MTF-S.TFLX-TTX



MTF-S.TFL-TT

Code	Description	a	b1	b2	b3	b5	d	d1	d3	h1	h2	h3	h4	l1	l3	l4	m1	m2	m3	r	s1	t	Stroke w	FH* [N]	⚖
GG.AL437	MTF-S.33/TFL-TT	19	50	49	35	18	6.5	M8	6.7	45	17	30	65	197	76.5	34	19	33.5	19	40	3	16	83	5000	484
GG.AL447	MTF-S.43/TFL-TT	28	61	63	50	26	8.5	M10	8.5	56	20	40.5	74	242	93	43	32	45	31	51	4	19	90	10000	873

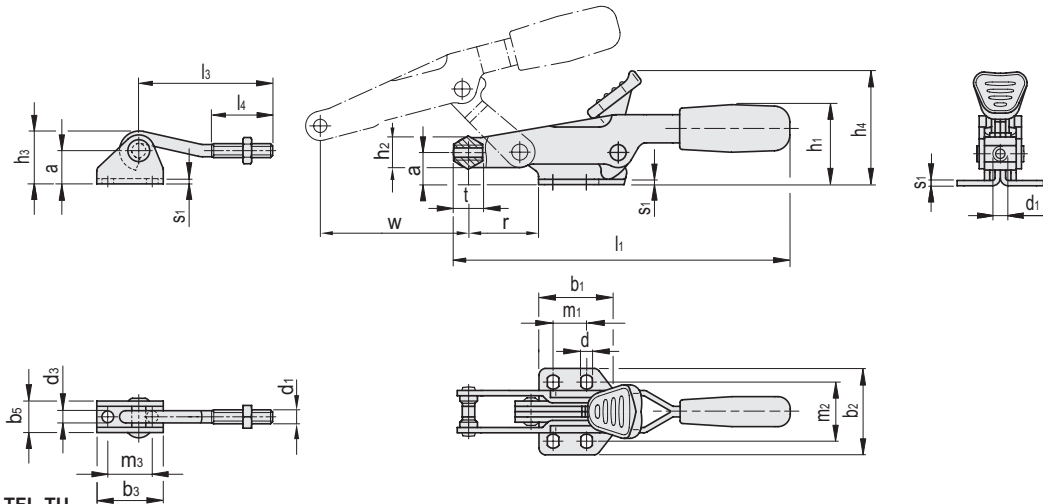
MTF-S.TFLX-TTX

Code	Description	a	b1	b2	b3	b5	d	d1	d3	h1	h2	h3	h4	l1	l3	l4	m1	m2	m3	r	s1	t	Stroke w	FH* [N]	⚖
GG.AS441	MTF-S.33/TFLX-TTX	19	50	49	35	18	6.5	M8	6.7	45	17	30	65	197	76.5	34	19	33.5	19	40	3	16	83	5000	484
GG.AS448	MTF-S.43/TFLX-TTX	28	61	63	50	26	8.5	M10	8.5	56	20	40.5	74	242	93	43	32	45	31	51	4	19	90	10000	873

INOX STAINLESS STEEL

* FH: holding force.

MTF-S.TFL-TU
MTF-S.TFLX-TUX



MTF-S.TFL-TU

Code	Description	a	b1	b2	b3	b5	d	d1	d3	h1	h2	h3	h4	l1	l3	l4	m1	m2	m3	r	s1	t	Stroke w	FH* [N]	⚖
GG.AL438	MTF-S.33/TFL-TU	19	50	49	38	18	6.5	M8	6.7	45	17	28	65	197	76.5	34	19	33.5	25.4	40	3	16	83	5000	499
GG.AL448	MTF-S.43/TFL-TU	28	61	63	50	26	8.5	M10	8.5	56	20	39	74	242	93	43	32	45	31	51	4	19	90	10000	899

MTF-S.TFLX-TUX

Code	Description	a	b1	b2	b3	b5	d	d1	d3	h1	h2	h3	h4	l1	l3	l4	m1	m2	m3	r	s1	t	Stroke w	FH* [N]	⚖
GG.AS443	MTF-S.33/TFLX-TUX	19	50	49	38	18	6.5	M8	6.7	45	17	28	65	197	76.5	34	19	33.5	25.4	40	3	16	83	5000	499
GG.AS449	MTF-S.43/TFLX-TUX	28	61	63	50	26	8.5	M10	8.5	56	20	39	74	242	93	43	32	45	31	51	4	19	90	10000	899

INOX STAINLESS STEEL

* FH: holding force.