

Socketless FC332, 2556

Socketless
Fittings

Socketless
Armaturen

Raccords
réutilisables
„Socketless“

Raccordi
riutilizzabili
“Socketless”

Racores
reutilizables
“Socketless”

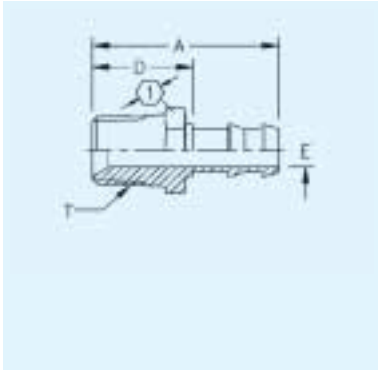
BSP Male
Tapered, BSPT

Außengewinde-
anschluss/BSPT
(Stutzen)

Mâle BSP conique

Maschio BSPT
(maschio gas
conico)

Macho fijo BSPT



Part Number	Thread T	Flange Tube O.D. mm	Hose ND	Hose Size	A mm	D mm	H mm	E Ø mm	K Ø mm	R Ø mm	HEX [1]	HEX [2]	Nut
11.391-2-4	R 1/8"		6	-4	39	20		4				12	
11.391-4-4	R 1/4"		6	-4	43	24		4				14	
11.391-4-6	R 1/4"		10	-6	46	24		8				14	
11.391-6-6	R 3/8"		10	-6	47	25		8				19	
11.391-6-8	R 3/8"		12	-8	51	25		10				19	
11.391-8-8	R 1/2"		12	-8	56	30		10				22	
11.391-8-10	R 1/2"		16	-10	69	30		12				22	
11.391-12-12	R 3/4"		19	-12	69	31		16				27	

Hose cap must be ordered separately.

Schlauchkappe muss separat bestellt werden.

Le bouchon de tuyauterie être commandé séparément.

Tappo del tubo flessibile deve essere ordinata esclusivamente.

El casquillo de la manguera se debe pedir por separado.