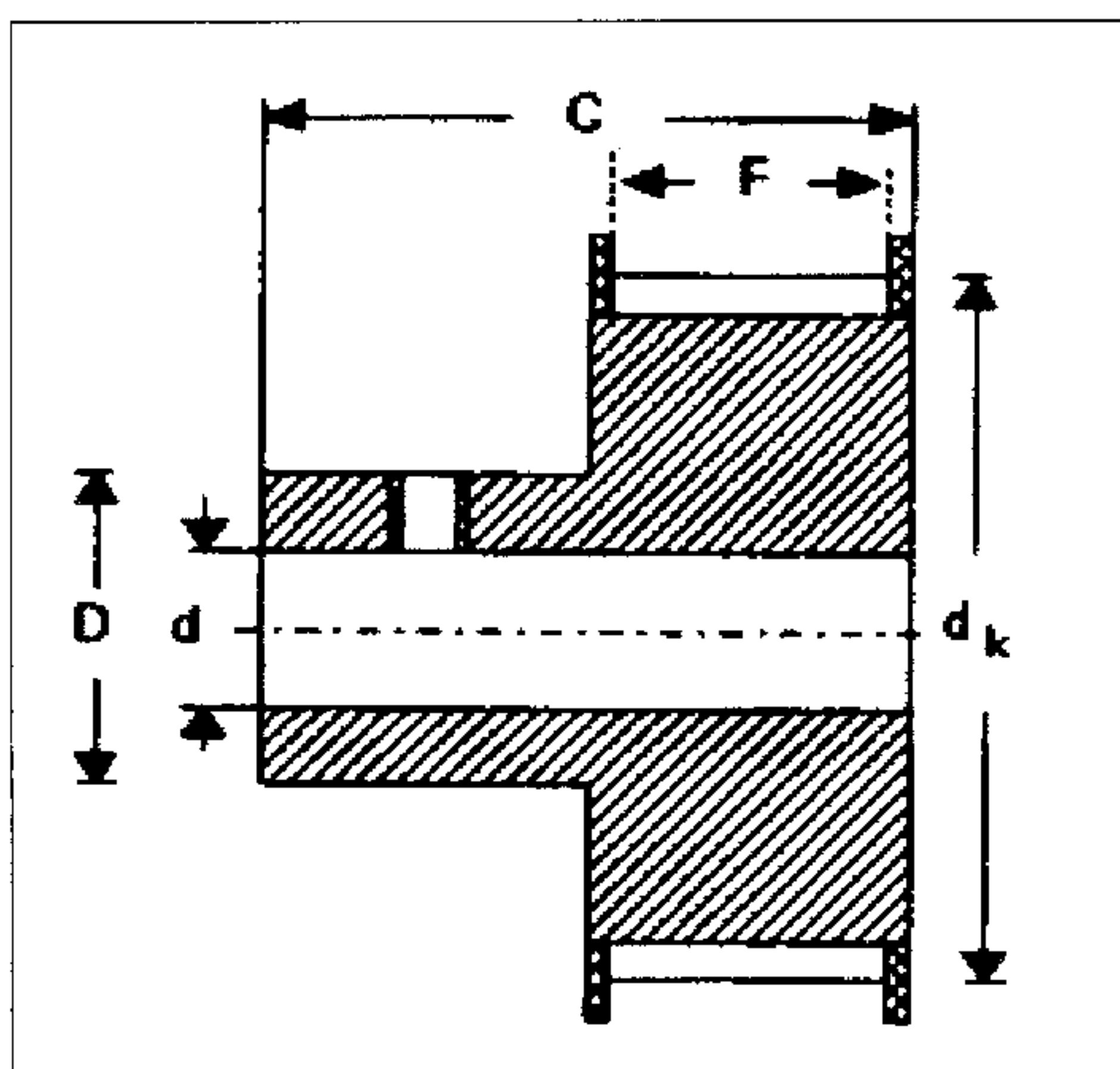
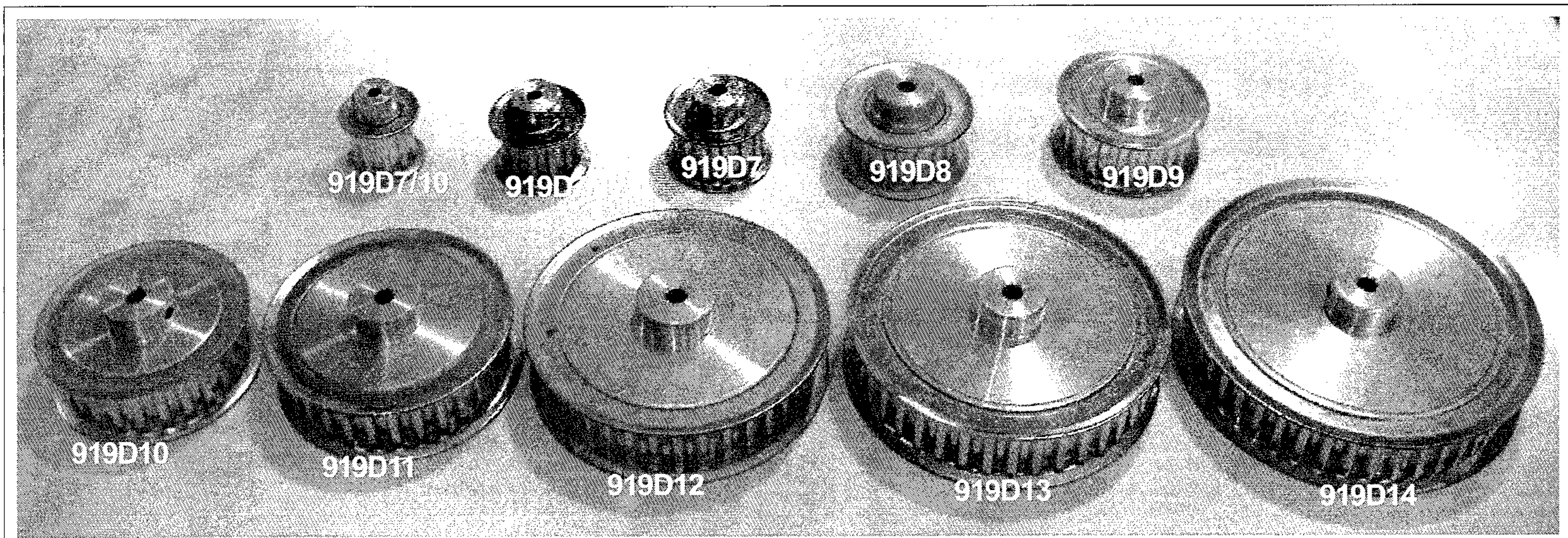


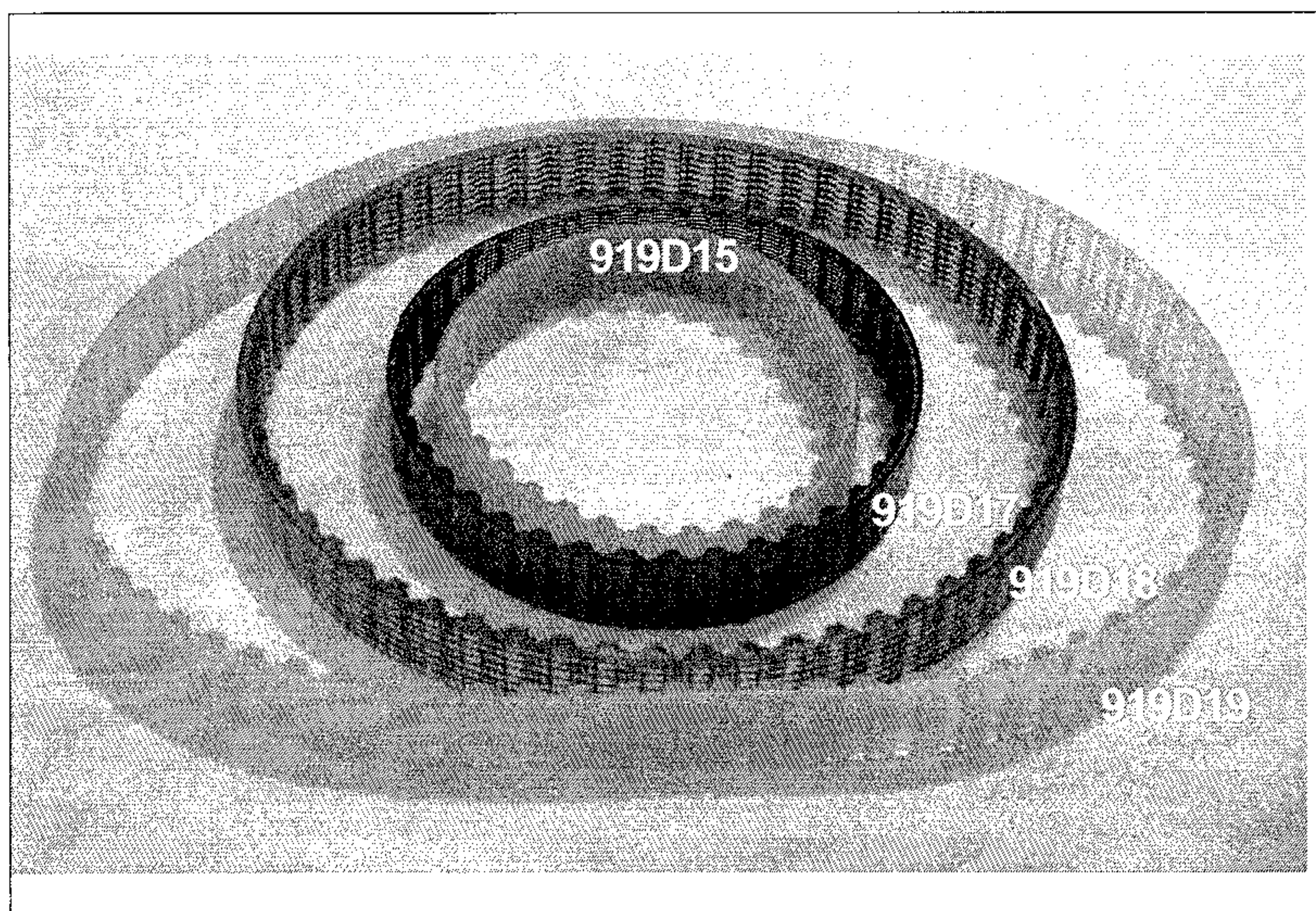
Part No's. 919D7 - 919D14. TIMING PULLEYS.



Part No.	No. of teeth	d mm	dk mm	F mm	C mm	D mm
919D7/10	10	3	15.05	12	21	10
919D7/12	12	3	18.25	12	21	12
919D7	14	4	21.45	12	21	12
919D8	16	4	24.60	12	21	15
919D9	20	4	31.00	12	21	15
919D10	25	4	39.00	12	21	15
919D11	30	4	46.95	12	21	15
919D12	35	4	54.85	12	21	15
919D13	40	4	62.85	12	21	15
919D14	44	4	69.20	12	21	15

Please note.
Dimension 'd' is an industry standard 4mm pilot hole. You will need to enlarge this to the size you require.

Part No's. 919D15 - 919D23. TIMING BELTS.



Part No.	Type	Length (Circumference)	Width
919D15	T5x165	165mm	9.8
919D16	T5x185	185mm	9.8
919D17	T5x200	200mm	9.8
919D18	T5x305	305mm	9.8
919D19	T5x390	390mm	9.8
919D20	T5x455	455mm	9.8
919D21	T5x545	545mm	9.8
919D22	T5x630	630mm	9.8
919D23	T5x840	840mm	9.8

