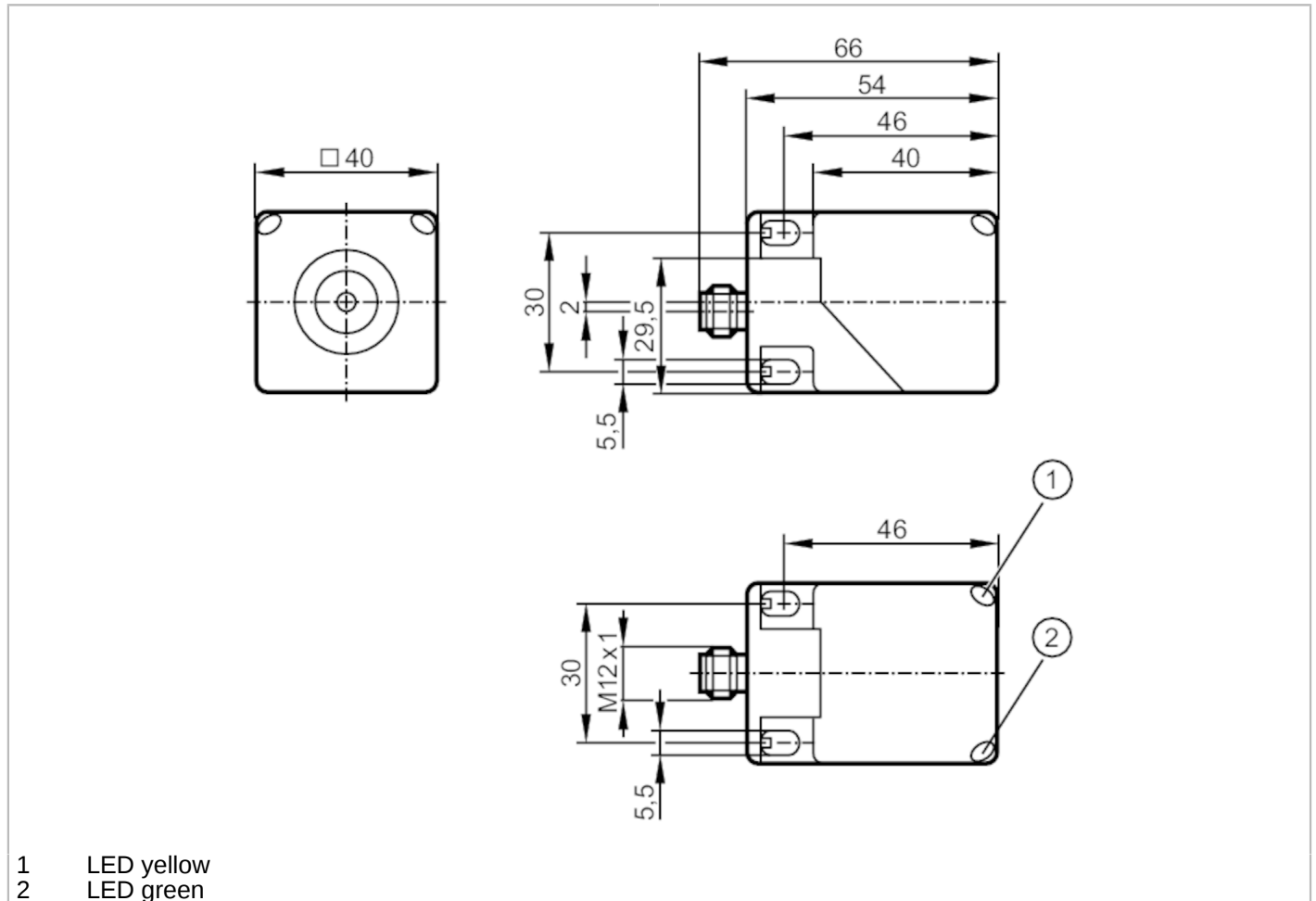


IM5140



Inductive analogue sensor with IO-Link

IMC3015A2PKG/US



- 1 LED yellow
- 2 LED green



Product characteristics		
Housing		rectangular
Dimensions	[mm]	40 x 40 x 54
Electrical data		
Operating voltage	[V]	15...30 DC
Current consumption	[mA]	< 20
Protection class		II
Reverse polarity protection		yes
Outputs		
Analogue voltage output	[V]	0...10; (linear; gradient: 0,714 V/mm; for frontal approach and for target made of mild steel: 45 x 45 x 1 mm)
Min. load resistance	[Ω]	2000
Short-circuit protection		yes
Overload protection		yes
Detection zone		
Measuring range	[mm]	1...15

IM5140



Inductive analogue sensor with IO-Link

IMC3015A2PKG/US

Accuracy / deviations		
Correction factor	steel: 1 / stainless steel: 0.7 / brass: 0.5 / aluminium: 0.4 / copper: 0.3	
Linearity error of analogue output [%]	± 3 %; (of UA max)	
Repeatability analogue output [%]	± 2 %; (of UA max)	
Response times		
Response time [ms]	< 20	
Operating conditions		
Ambient temperature [°C]	-25...80	
Protection	IP 67	
Tests / approvals		
MTTF [years]	230	
UL approval	Ta	-25...70 °C
	Enclosure type	Type 1
	voltage supply	Class 2
	File number UL	E174191
Mechanical data		
Weight [g]	152.5	
Housing	rectangular	
Sensing face	5 positions selectable	
Mounting	flush mountable	
Dimensions [mm]	40 x 40 x 54	
Materials	PA; brass white bronze coated	
Displays / operating elements		
Display	within the operating range	1 x LED, yellow lights
	outside the operating range operation	1 x LED, yellow flashing LED, green
Remarks		
Pack quantity	1 pcs.	
Electrical connection - plug		
Connector: 1 x M12		

IM5140



Inductive analogue sensor with IO-Link

IMC3015A2PKG/US

Connection

