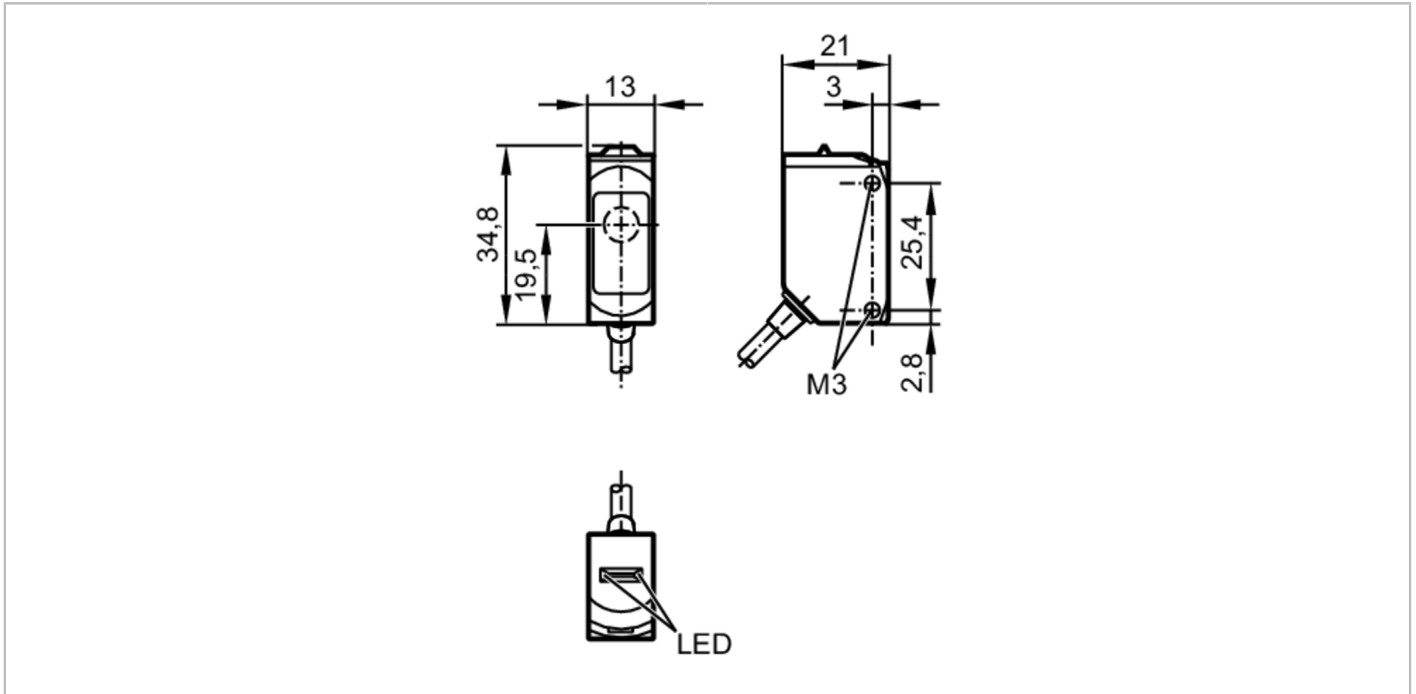


O6S301



Through-beam sensor transmitter

O6S-OOKG/0,30m/US



Product characteristics	
Type of light	red light
Housing	rectangular
Application	
Function principle	Through-beam sensor
Electrical data	
Operating voltage [V]	10...30 DC
Current consumption [mA]	11; ((24 V))
Protection class	III
Type of light	red light
Wave length [nm]	633
Detection zone	
Transmitter / receiver	transmitter
Range [m]	< 10
Max. light spot diameter [mm]	300
Light spot dimensions refer to	at maximum range
Operating conditions	
Ambient temperature [°C]	-25...80
Protection	IP 65; IP 67; IP 68; IP 69K
Tests / approvals	
EMC	EN 60947-5-2
MTTF [years]	2600
UL approval	UL Approval no. E005

O6S301



Through-beam sensor transmitter

O6S-OOKG/0,30m/US

Mechanical data

Weight	[g]	50.5
Housing		rectangular
Materials		housing: stainless steel (1.4404 / 316L); plastics: PPSU; Sealing: EPDM
Lens material		PMMA
Lens alignment		side lens

Displays / operating elements

Display	operation	1 x LED, green
---------	-----------	----------------

Remarks

Remarks	operating voltage "supply class 2" according to cULus	
Pack quantity	1 pcs.	

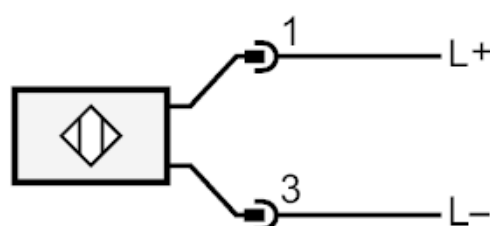
Electrical connection

Cable: 0.3 m, PVC; 2 x 0.25 mm²

Connector: 1 x M12



Connection



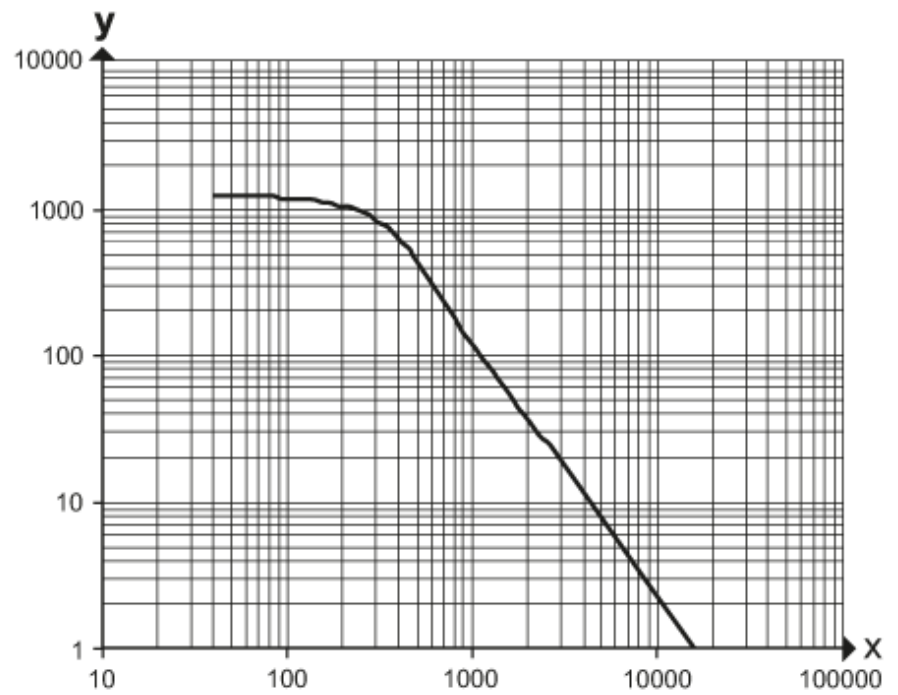


Through-beam sensor transmitter

O6S-OOKG/0,30m/US

Diagrams and graphs

excess gain graph



x: distance [mm]

y: excess gain factor