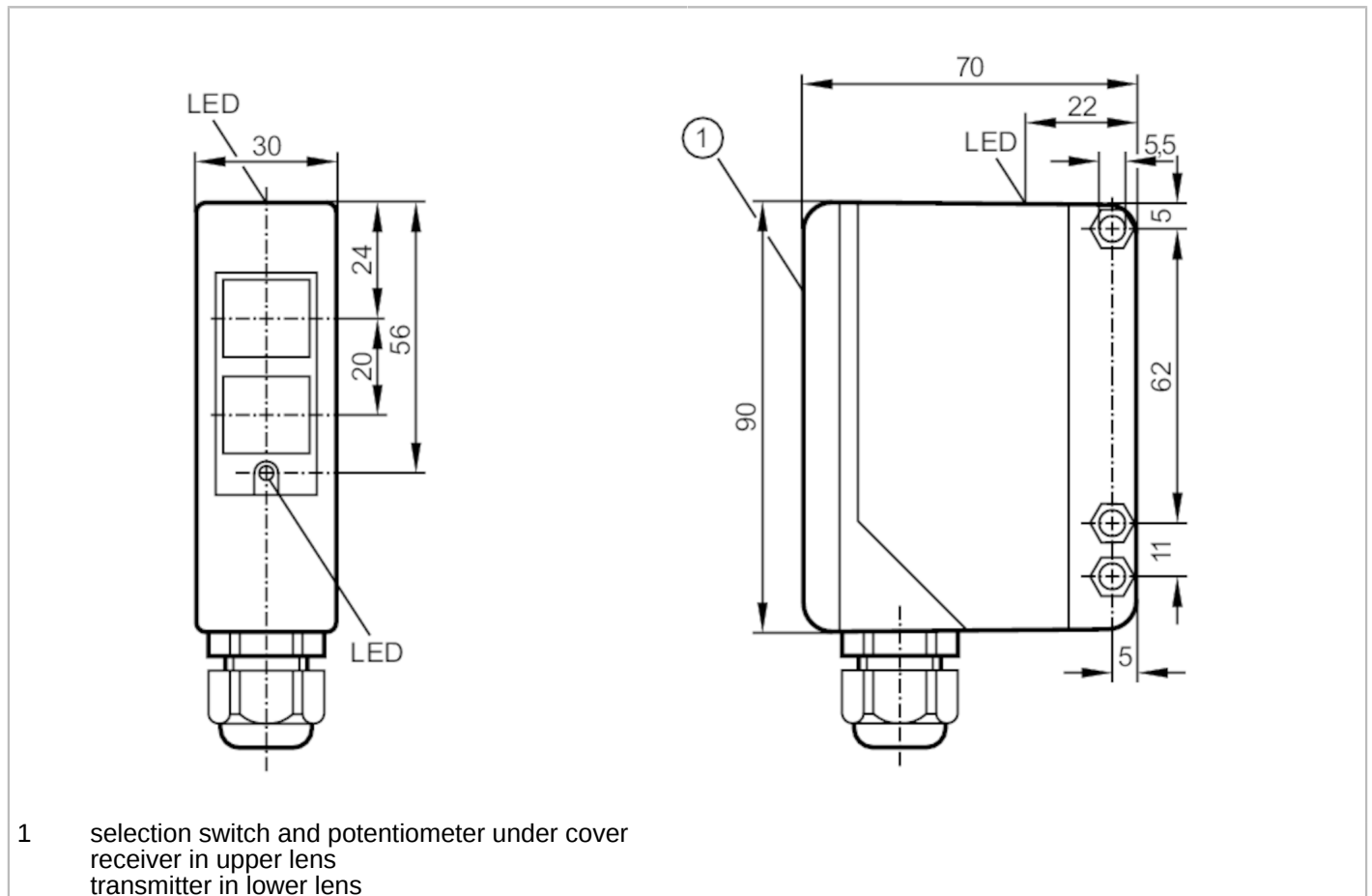




Retro-reflective sensor

OAP-FKOAT



Product characteristics

Type of light	red light
Housing	rectangular
Dimensions [mm]	90 x 30 x 70

Application

Special feature	polarisation filter
Function principle	Retro-reflective sensor

Electrical data

Frequency AC [Hz]	47...63
Operating voltage [V]	20...250 AC/DC
Max. power consumption [VA]	2
Protection class	II
Reverse polarity protection	no
Type of light	red light
Wave length [nm]	660

OA0107



Retro-reflective sensor

OAP-FKOAT

Outputs		
Electrical design		relay
Output function		light-on/dark-on mode; (programmable)
Contact rating		250 V AC / 3 A / 360 VA, 125 V DC / 3 A / 30 W
Short-circuit proof		no
Overload protection		no
Time function	[s]	0.5...10
Detection zone		
Range referred to prismatic reflector	[m]	0.2...8; (Prismatic reflector Ø 80 E20005)
Range adjustable		yes
Max. light spot diameter	[mm]	420
Light spot dimensions refer to		at maximum range
Polarisation filter available		yes
Operating conditions		
Ambient temperature	[°C]	-25...60
Protection		IP 65
Tests / approvals		
EMC		EN 60947-5-2
		EN 55011
		class B
MTTF	[years]	264
Mechanical data		
Weight	[g]	305
Housing		rectangular
Dimensions	[mm]	90 x 30 x 70
Materials		PPO modified
Lens material		PMMA
Lens alignment		side lens
Displays / operating elements		
Display	switching status	1 x LED, yellow
	operation	1 x LED, green
	function	1 x LED, red
Operating elements		on-delay or off-delay selectable via slide switch
Electrical connection		
Required protection		miniature fuse to IEC60127-2 sheet 1; ≤ 5 A; fast acting
Accessories		
Accessories (supplied)		Angle bracket: 1 x, E20514 screwdrivers
Remarks		
Remarks		Recommendation: Check the safe functioning of the unit after a short circuit.
Pack quantity		1 pcs.

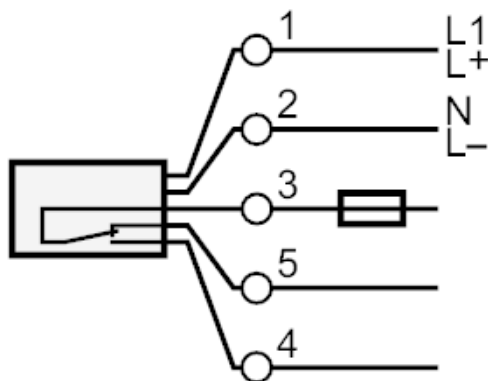
Retro-reflective sensor

OAP-FKOAT

Electrical connection

terminals: ...1.5 mm²; Cable sheath: Ø 4.5...10 mm; Cable gland: M16 X 1.5

Connection



Note : miniature fuse to IEC60127-2 sheet 1 ≤ 5 A fast acting

Diagrams and graphs

excess gain graph

