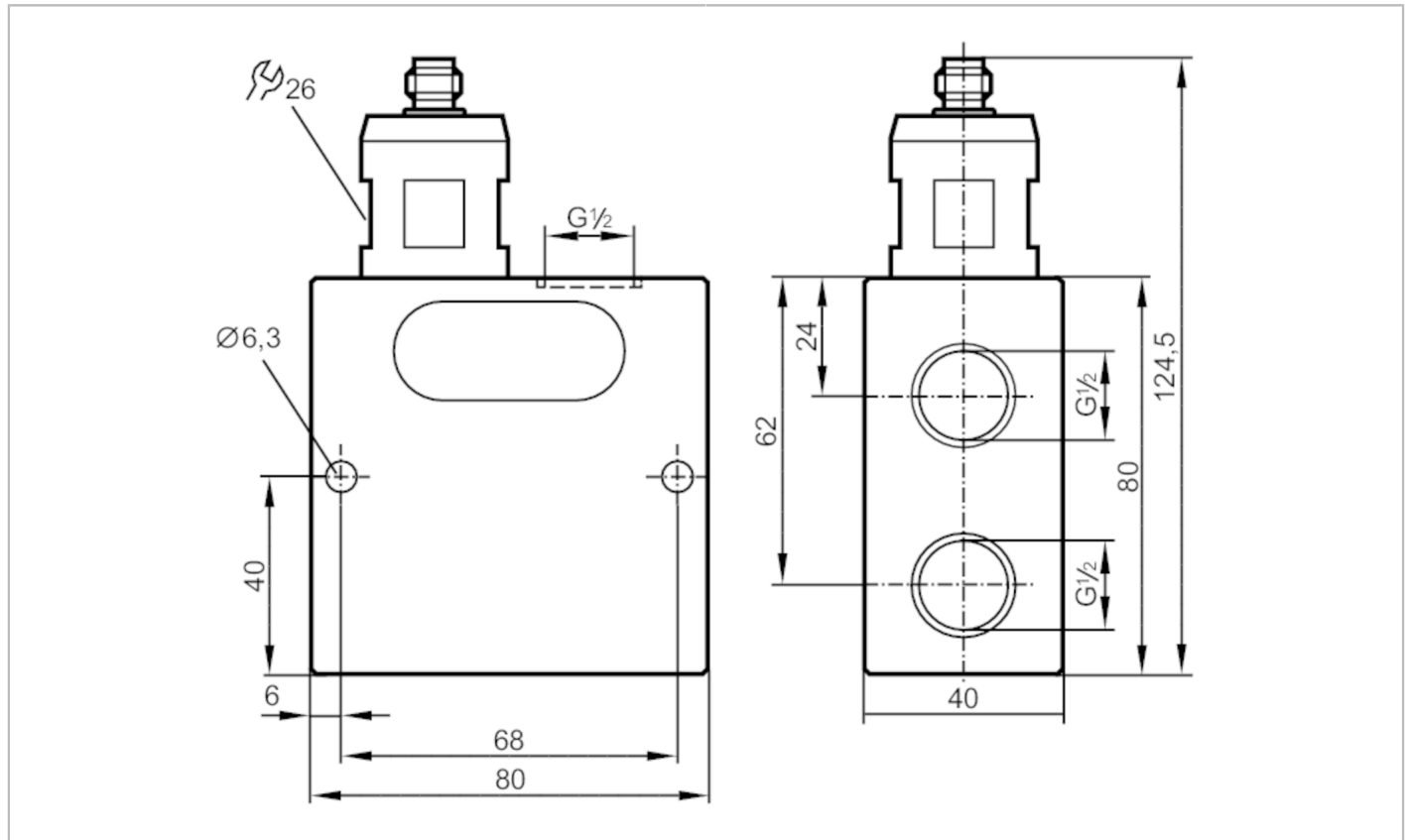


# SBU924



## Flow transmitter with integrated backflow prevention

SBU12DI040KG/US



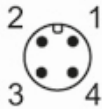
Product characteristics		
Measuring range	[l/min]	2...50
Process connection		G 1/2
Application		
Application		machine tools; Internal cooling of drill
Medium temperature	[°C]	0...60
Pressure rating	[bar]	200
Electrical data		
Operating voltage tolerance	[%]	-15...10
Operating voltage	[V]	24 DC; (to SELV/PELV)
Current consumption	[mA]	10
Protection class		III
Reverse polarity protection		yes
Outputs		
Output signal		analogue signal
Analogue voltage output	[V]	0.5...10
Min. load resistance	[Ω]	10000
Short-circuit protection		yes
Overload protection		yes

# SBU924



## Flow transmitter with integrated backflow prevention

SBU12DI040KG/US

Measuring/setting range	
Measuring range [l/min]	2...50
Flow range [l/min]	75
Accuracy / deviations	
Repeatability [% of the final value]	1
Measuring error [% of the final value]	± 5
Response times	
Response time [s]	< 0.01
Operating conditions	
Ambient temperature [°C]	0...60
Storage temperature [°C]	-15...80
Protection	IP 65; IP 67
Tests / approvals	
EMC	DIN EN 61000-6-2
	DIN EN 61000-6-3
Shock resistance	DIN EN 60068-2-27
Vibration resistance	DIN EN 60068-2-6
MTTF [years]	15.78
	20 g (11 ms)
	5 g (10...2000 Hz)
Mechanical data	
Weight [g]	742
Materials	aluminium anodised; PA
Materials (wetted parts)	stainless steel (1.4401 / 316); brass; aluminium anodised; PU; O-ring: FKM
Process connection	G 1/2
Switching cycles mechanical	10 million
Accessories	
Accessories (supplied)	sealing plugs
Remarks	
Remarks	Temperature changes slightly affect the specified standard settings for coolants. For oils, the settings are influenced by temperature and viscosity. Recommendation Use 200 micron filtration All data refer to coolants (20 °C).
Pack quantity	1 pcs.
Electrical connection	
Connector: 1 x M12	
	

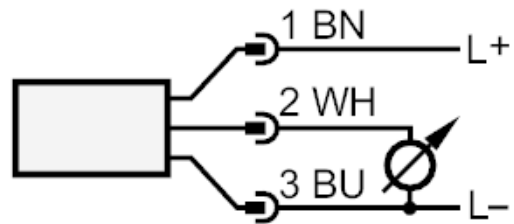
# SBU924



## Flow transmitter with integrated backflow prevention

SBU12DI040KG/US

### Connection



colours to DIN EN 60947-5-2

Core colours :

BN =	brown
BU =	blue
WH =	white